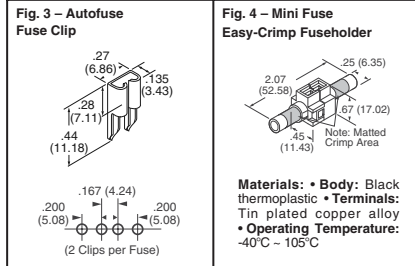
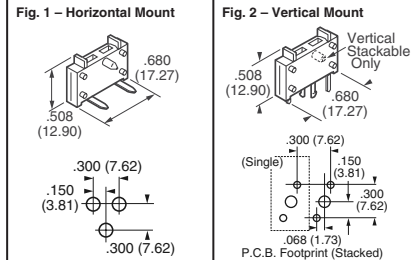


Automotive Fuseholders

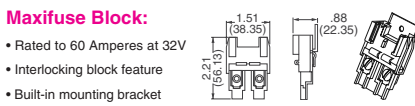


Mini Fuse PC Board Fuseholder Specifications:

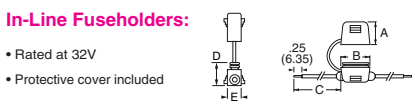
- **Terminals:** Copper alloy, tin-plated
- **Body:** Black thermoplastic (UL 94V0)
- **Electrical:** Recognized under the Components Program of Underwriters Laboratory for 15 Amperes and Certified by CSA for 10 Amperes. Three fuseholders can be mounted side by side (stacked) and operated at rated current. Contact factory for applications where more than three fuseholders will be stacked.
- **Voltage:** 32 VDC
- **Temperature Range:** -40°C - 85°C
- **PC Board Compatibility:** Designed for use with standard .062" (1.57mm) circuit board.

| Fig. | Description | Digi-Key Part No. | Price Each |
|------|-------------------------------|-------------------|----------------|
| | | | 1 10 100 |
| 1 | Horizontal Mini Holder | F064-ND | 2.51 2.32 1.74 |
| 1 | Single or End Cap Mini Holder | F065-ND | 2.48 2.30 1.72 |
| 2 | Stackable Mini Holder | F066-ND | 2.48 2.30 1.72 |
| 3 | ATO Fuse Clip | F067-ND | .31 .29 .22 |
| 4 | In-line Mini Holder | F068-ND* | 1.53 1.42 1.06 |

* 20 Amperes maximum rating, terminals accept #16 - 22AWG



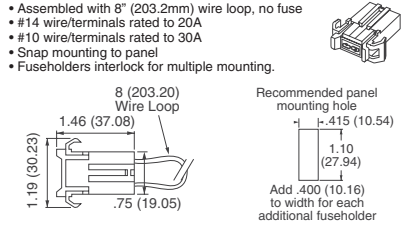
| Description | Digi-Key Part No. | Price Each |
|-----------------|-------------------|-------------------|
| | | 1 100 250 |
| Maxi Fuse Block | F1085-ND | 24.48 16.95 15.07 |



| Dim. | Fuse Type - Inch (mm) | | |
|------|-----------------------|--------------|--------------|
| | MINI | ATO | MAXI |
| A | .52 (13.21) | .97 (24.64) | 1.35 (34.29) |
| B | .97 (24.64) | 1.00 (25.40) | 3.36 (85.34) |
| C | 4.0 (101.60) | 4.0 (101.60) | 6.0 (152.40) |
| D | .60 (15.24) | .67 (17.02) | 1.39 (35.31) |
| E | .41 (10.41) | .43 (10.92) | 1.12 (28.45) |

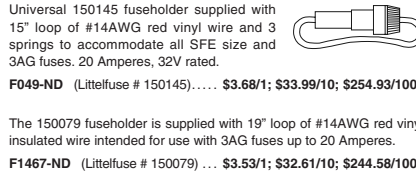
| Description | AWG Wire | Amp Rtg. (max.) | Digi-Key Part No. | Price Each |
|---------------------|----------|-----------------|-------------------|-------------------|
| | | | | 1 100 250 |
| In-line Mini Holder | 14 | 20 | F1057-ND | 4.29 2.97 2.64 |
| In-line Mini Holder | 12 | 30 | F1058-ND | 4.57 3.17 2.81 |
| In-line Maxi Holder | 6 | 60 | F1059-ND | 24.08 16.68 14.82 |
| In-line ATO Holder | 16 | 20 | F1086-ND | 3.90 2.70 2.40 |
| In-line ATO Holder | 12 | 30 | F1087-ND | 4.51 3.13 2.78 |

Panel Mount ATO Fuseholder:

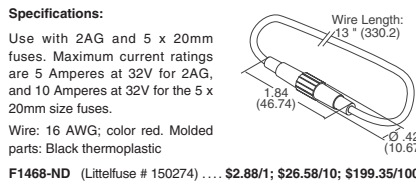


| Description | AWG Wire | Amp Rtg. (max.) | Digi-Key Part No. | Price Each |
|--------------------|----------|-----------------|-------------------|----------------|
| | | | | 1 100 250 |
| Panel Mount Holder | 14 | 20 | F1088-ND | 1.88 1.30 1.16 |
| Panel Mount Holder | 10 | 30 | F1089-ND | 2.71 1.88 1.67 |

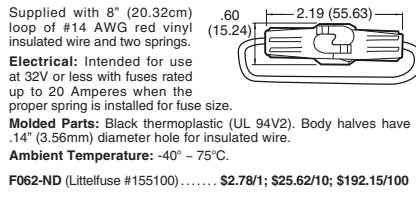
In-Line Fuseholder Bayonet Knob



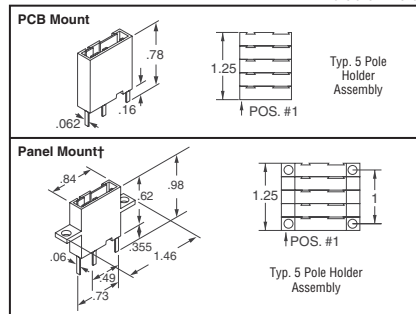
2AG or 5 x 20mm In-Line Fuse-holder Screw Together



Universal In-Line Fuseholder Twist-Lock



Gangable Alarm Indicating Fuseholder



Specifications: • **Electrical:** Rated at 15 Amperes for any voltage up to 125VAC, 125 VDC • **Molded Bodies:** Black, Thermoplastic (UL 94V0) • **Terminals:** Alarm Terminal - Brass, tin-plated, wire-wrap type; Fuse Terminal - Beryllium copper, tin-plated

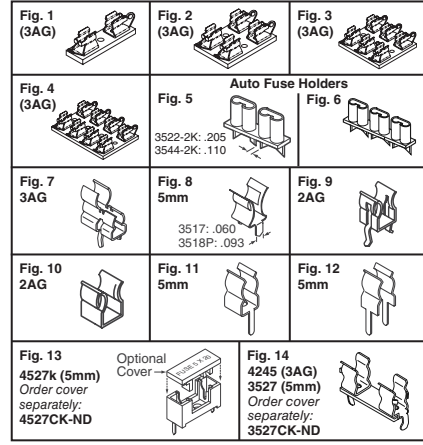
| No. of Poles | Digi-Key Part No. PCB Mt. | Digi-Key Part No. Panel Mt. | Price Each |
|--------------|---------------------------|-----------------------------|----------------|
| | | | 1 10 100 |
| 1 | F1400-ND | F1420-ND | 2.18 2.02 1.51 |
| 2 | F1401-ND | F1421-ND | 4.36 4.03 3.03 |

| No. of Poles | Digi-Key Part No. PCB Mt. | Digi-Key Part No. Panel Mt. | Price Each | | |
|--------------|---------------------------|-----------------------------|------------|-------|-------|
| | | | 1 | 10 | 100 |
| 4 | F1403-ND | F1423-ND | 8.72 | 8.05 | 6.04 |
| 5 | F1404-ND | F1424-ND | 10.90 | 10.07 | 7.55 |
| 6 | F1405-ND | F1425-ND | 13.08 | 12.08 | 9.06 |
| 8 | F1407-ND | F1427-ND | 17.45 | 16.11 | 12.08 |
| 9 | F1408-ND | F1428-ND | 19.63 | 18.12 | 13.59 |
| 10 | F1409-ND | F1429-ND | 21.81 | 20.13 | 15.10 |
| 12 | F1411-ND | F1431-ND | 26.17 | 24.16 | 18.12 |
| 15 | F1414-ND | F1434-ND | 32.71 | 30.20 | 22.65 |
| 16 | F1415-ND | F1435-ND | 34.89 | 32.21 | 24.16 |
| 17 | F1416-ND | F1436-ND | 37.07 | 34.22 | 25.67 |
| 18 | F1417-ND | F1437-ND | 39.25 | 36.24 | 27.18 |
| 19 | F1418-ND | F1438-ND | 41.43 | 38.25 | 28.69 |
| 20 | F1419-ND | F1439-ND | 43.61 | 40.26 | 30.20 |

† On Panel Mount, first and last position have mounting holes only.

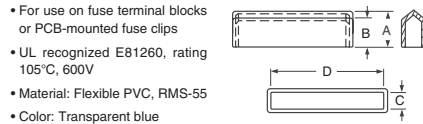
KEYSTONE Fuseholders

For 1/4" (6.35mm) Assembled with .125" (3.18mm) thick black phenolic



| Fig. | Digi-Key Part No. | Pricing | | |
|------|-------------------|---------|-------|----------------|
| | | 1 | 10 | 100 500 |
| 1 | 3536K-ND | 1.49 | 13.80 | 131.00 430.00 |
| 2 | 3537K-ND | 2.45 | 22.62 | 225.00 755.00 |
| 3 | 3538K-ND | 3.87 | 35.91 | 333.00 1130.00 |
| 4 | 3539K-ND | 5.08 | 47.17 | 439.00 1460.00 |
| 5 | 3522-2K-ND | .91 | 7.92 | 64.70 216.50 |
| 6 | 3544-2K-ND | .95 | 8.32 | 48.75 |
| 6 | 3522-3K-ND | 1.20 | 10.52 | 85.75 288.25 |
| 7 | 3562K-ND | — | 2.80 | 19.35 66.00 |
| 8 | 3517K-ND | — | 2.11 | 14.95 52.50 |
| 8 | 3518PK-ND | — | 2.12 | 14.95 52.50 |
| 9 | 3521K-ND | — | 1.80 | 12.50 41.50 |
| 10 | 3561K-ND | — | 1.80 | 12.50 41.50 |
| 11 | 3520K-ND | — | 1.56 | 11.05 37.25 |
| 12 | 3519K-ND | — | 1.54 | 10.45 36.00 |
| 13 | 4527K-ND | — | 5.71 | 54.90 182.50 |
| — | 4527CK-ND | — | 2.38 | 22.60 76.50 |
| 14 | 3527K-ND | 1.38 | 12.07 | 97.00 340.00 |
| 14 | 4245K-ND | 1.77 | 15.52 | 82.50 — |
| — | 3527CK-ND | .44 | 4.11 | 30.75 — |

'Quick Fit' Fuse Covers



| Dim. | Digi-Key Part No. | | | |
|------|-------------------|--------------|--------------|--------------|
| | RP613-ND | RP614-ND | RP615-ND | RP616-ND |
| A | .50 (12.70) | .50 (12.70) | .63 (16.00) | .50 (12.70) |
| B | .39 (9.91) | .39 (9.91) | .58 (14.73) | .39 (9.91) |
| C | .24 (6.10) | .28 (7.11) | .32 (8.13) | .32 (8.13) |
| D | .79 (20.07) | 1.18 (29.97) | 1.26 (32.00) | 1.42 (36.07) |

| Fuse Type | Digi-Key Part No. | Price Each | | Richco Part No. |
|-----------|-------------------|------------|------|-----------------|
| | | 25 | 100 | |
| Metric | RP613-ND | .62 | .53 | 840620 |
| Metric | RP614-ND | 1.01 | .86 | 840730 |
| Metric | RP615-ND | 1.06 | .91 | 840832 |
| Standard | RP616-ND | 1.35 | 1.16 | 840836 |

More Product Available Online: www.digikey.com