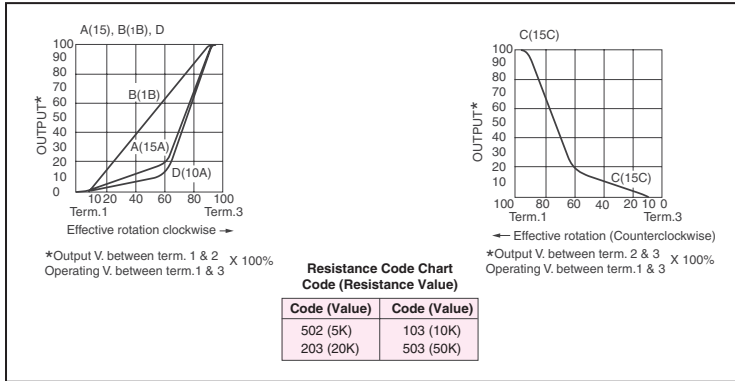
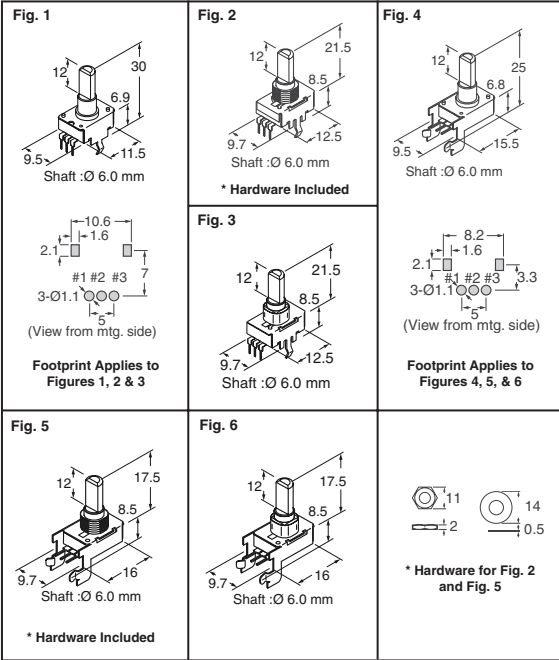


Panasonic® Audio Potentiometers

9mm Potentiometers

Specifications: Resistance Range: 5K Ω through 50K Ω • Tolerance: $\pm 20\%$ • Power Rating: .05w @ 50°C • Voltage Rating: E = \sqrt{PR} but E \leq 50VAC/20VDC • Rotation Angle: 300° $\pm 5^\circ$ • Life: 10000 turns minimum • Application: Audio mixer



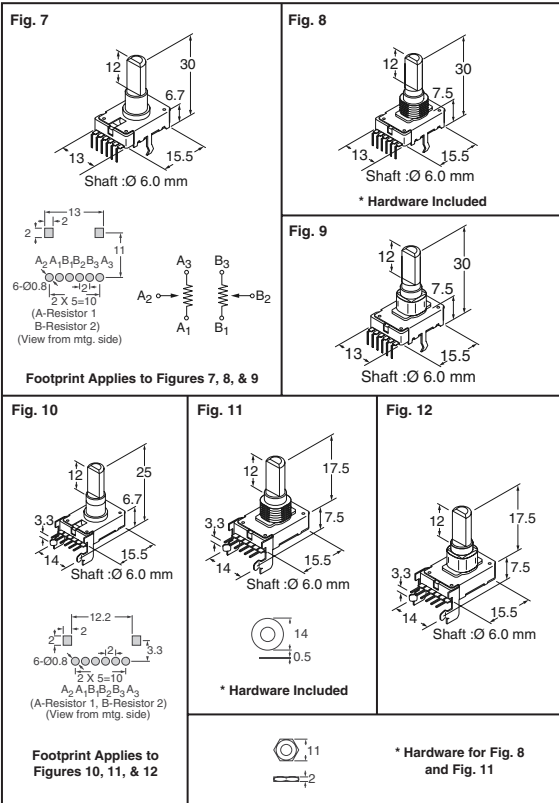
| Fig. | Taper | Center Detent | Bushing | Digi-Key Part No. | 1 | 10 | 100 | 1,000 | Panasonic* Part No. |
|----------------------------------|-------|---------------|---------|-------------------|------|-------|--------|---------|---------------------|
| 9mm Audio Potentiometers | | | | | | | | | |
| 1 | B | Y | None | P3A1□□□-ND | 1.05 | 8.73 | 65.48 | 483.06 | EVU-F3AF30B□□ |
| | D | Y | None | P3B2□□□-ND | 1.05 | 8.73 | 65.48 | 483.06 | EVU-F3AF30D□□ |
| | B | N | None | P3C3□□□-ND | 1.12 | 9.33 | 69.98 | 516.26 | EVU-F2AF30B□□ |
| | D | N | None | P3D4□□□-ND | .99 | 8.22 | 61.65 | 454.84 | EVU-F2AF30D□□ |
| 2 | B | Y | Metal | P3E5□□□-ND◆ | 1.90 | 15.84 | 118.80 | 876.48 | EVU-F3MFL3B□□ |
| | D | Y | Metal | P3F6□□□-ND | 1.90 | 15.84 | 118.80 | 876.48 | EVU-F3MFL3D□□ |
| | B | N | Metal | P3G7□□□-ND◆ | 1.84 | 15.33 | 114.98 | 848.26 | EVU-F2MFL3B□□ |
| | D | N | Metal | P3H8□□□-ND◆ | 1.84 | 15.33 | 114.98 | 848.26 | EVU-F2MFL3D□□ |
| 3 | B | Y | Plastic | P3I9□□□-ND | 1.25 | 10.44 | 78.30 | 577.68 | EVU-F3LFL3B□□ |
| | D | Y | Plastic | P3J0□□□-ND | 1.25 | 10.44 | 78.30 | 577.68 | EVU-F3LFL3D□□ |
| | B | N | Plastic | P3K1□□□-ND | 1.19 | 9.90 | 74.25 | 547.80 | EVU-F2LFL3B□□ |
| | D | N | Plastic | P3L2□□□-ND | 1.19 | 9.90 | 74.25 | 547.80 | EVU-F2LFL3D□□ |
| 4 | B | Y | None | P3M3□□□-ND | 1.08 | 9.03 | 67.73 | 499.66 | EVU-E3AF25B□□ |
| | D | Y | None | P3N4□□□-ND | 1.08 | 9.03 | 67.73 | 499.66 | EVU-E3AF25D□□ |
| | B | N | None | P3P5□□□-ND | 1.02 | 8.49 | 63.68 | 469.78 | EVU-E2AF25B□□ |
| | D | N | None | P3Q6□□□-ND | 1.02 | 8.49 | 63.68 | 469.78 | EVU-E2AF25D□□ |
| 5 | B | Y | Metal | P3R7□□□-ND | 1.94 | 16.17 | 121.28 | 894.74 | EVU-E3JFK4B□□ |
| | D | Y | Metal | P3S8□□□-ND | 1.94 | 16.17 | 121.28 | 894.74 | EVU-E3JFK4D□□ |
| | B | N | Metal | P3T9□□□-ND | 1.87 | 15.60 | 117.00 | 863.20 | EVU-E2JFK4B□□ |
| | D | N | Metal | P3U0□□□-ND | 1.87 | 15.60 | 117.00 | 863.20 | EVU-E2JFK4D□□ |
| 6 | B | Y | Plastic | P3V1□□□-ND | 1.29 | 10.77 | 80.78 | 595.94 | EVU-E3KFK4B□□ |
| | D | Y | Plastic | P3X2□□□-ND | 1.29 | 10.77 | 80.78 | 595.94 | EVU-E3KFK4D□□ |
| | B | N | Plastic | P3Y3□□□-ND | 1.22 | 10.20 | 76.50 | 564.40 | EVU-E2KFK4B□□ |
| | D | N | Plastic | P3Z4□□□-ND | 1.22 | 10.20 | 76.50 | 564.40 | EVU-E2KFK4D□□ |
| 12mm Audio Potentiometers | | | | | | | | | |
| 7 | B | Y | None | P2A5□□□-ND | 2.36 | 19.68 | 147.60 | 1088.96 | EVJ-Y81F30B□□ |
| | AC | Y | None | P2B6□□□-ND | 2.36 | 19.68 | 147.60 | 1088.96 | EVJ-YE1F30B□□ |
| | A | N | None | P2C7□□□-ND | 2.29 | 19.11 | 143.33 | 1057.42 | EVJ-Y00F30A□□ |
| | D | N | None | P2D8□□□-ND | 2.29 | 19.11 | 143.33 | 1057.42 | EVJ-Y00F30D□□ |
| 8 | B | Y | Metal | P2E9□□□-ND | 2.69 | 22.41 | 168.08 | 1240.02 | EVJ-Y91F03B□□ |
| | AC | Y | Metal | P2F0□□□-ND | 2.38 | 19.83 | 148.73 | 1097.26 | EVJ-YK1F03□□□ |
| | A | N | Metal | P2G1□□□-ND | 2.62 | 21.87 | 164.03 | 1210.14 | EVJ-Y10F03A□□ |
| | D | N | Metal | P2H2□□□-ND | 2.62 | 21.87 | 164.03 | 1210.14 | EVJ-Y10F03D□□ |
| 9 | B | Y | Plastic | P2I3□□□-ND | 2.57 | 21.39 | 160.43 | 1183.58 | EVJ-Y96F03B□□ |
| | AC | Y | Plastic | P2J4□□□-ND | 2.57 | 21.39 | 160.43 | 1183.58 | EVJ-YK6F03□□□ |
| | A | N | Plastic | P2K5□□□-ND | 2.51 | 20.88 | 156.60 | 1155.36 | EVJ-Y15F03A□□ |
| | D | N | Plastic | P2L6□□□-ND | 2.51 | 20.89 | 156.67 | 1155.86 | EVJ-Y15F03D□□ |
| 10 | B | Y | None | P2M7□□□-ND | 2.39 | 19.95 | 149.63 | 1103.90 | EVJ-C31F25B□□ |
| | AC | Y | None | P2N8□□□-ND | 2.39 | 19.95 | 149.63 | 1103.90 | EVJ-CV1F25□□□ |
| | A | N | None | P2P9□□□-ND | 2.33 | 19.38 | 145.35 | 1072.36 | EVJ-C00F25A□□ |
| | D | N | None | P2Q0□□□-ND | 2.33 | 19.38 | 145.35 | 1072.36 | EVJ-C00F25D□□ |
| 11 | B | Y | Metal | P2R1□□□-ND | 2.73 | 22.71 | 170.33 | 1256.62 | EVJ-C51F02B□□ |
| | AC | Y | Metal | P2S2□□□-ND | 2.73 | 22.71 | 170.33 | 1256.62 | EVJ-CC1F02□□□ |
| | A | N | Metal | P2T3□□□-ND | 2.35 | 19.57 | 146.79 | 1082.98 | EVJ-C20F02A□□ |
| | D | N | Metal | P2U4□□□-ND | 2.35 | 19.57 | 146.79 | 1082.98 | EVJ-C20F02D□□ |
| 12 | B | Y | Plastic | P2W5□□□-ND | 2.60 | 21.66 | 162.45 | 1198.52 | EVJ-C56F02B□□ |
| | AC | Y | Plastic | P2X6□□□-ND | 2.60 | 21.66 | 162.45 | 1198.52 | EVJ-CC6F02□□□ |
| | A | N | Plastic | P2Y7□□□-ND | 2.53 | 21.12 | 158.40 | 1168.64 | EVJ-C25F02A□□ |
| | D | N | Plastic | P2Z8□□□-ND | 2.53 | 21.12 | 158.40 | 1168.64 | EVJ-C25F02D□□ |

For complete number, substitute corresponding code (from above chart) for □□□.
* Call Digi-Key for help in assembling manufacturer part number. ◆ RoHS Compliant



12mm Potentiometers

Specifications: Resistance Range: 5K Ω through 50K Ω • Tolerance: $\pm 20\%$ • Power Rating: .05w @ 50°C • Voltage Rating: E = \sqrt{PR} but E \leq 50VAC/20VDC (Do not use DC Voltage) • Rotation Angle: 300° $\pm 5^\circ$ • Life: 15000 turns minimum • Application: Audio mixer



More Product Available Online: www.digkey.com