



Machined Aluminum Instrumentation Knobs (Cont.)



| Fig. | Shaft Diameter Inch (mm) | Dimension A Inch (mm) | Digi-Key* Part No. | Price Each | | | |
|------|--------------------------|-----------------------|--------------------|------------|------|------|------|
| | | | | 1 | 10 | 50 | 100 |
| 8 | .250 (6.35) | .50 (12.70) | 226-□124-ND | 3.20 | 2.84 | 2.35 | 2.13 |
| | .250 (6.35) | .625 (15.875) | 226-□125-ND | 3.31 | 2.94 | 2.43 | 2.21 |
| | .250 (6.35) | .75 (19.05) | 226-□126-ND | 3.42 | 3.04 | 2.51 | 2.28 |
| | .250 (6.35) | .925 (23.50) | 226-□127-ND | 3.53 | 3.14 | 2.60 | 2.36 |
| 9 | .125 (3.18) | .50 (12.70) | 226-□096-ND | 3.20 | 2.84 | 2.35 | 2.13 |
| | .125 (3.18) | .625 (15.875) | 226-□097-ND | 3.31 | 2.94 | 2.43 | 2.21 |
| | .125 (3.18) | .75 (19.05) | 226-□098-ND | 3.42 | 3.04 | 2.51 | 2.28 |
| | .125 (3.18) | .925 (23.50) | 226-□099-ND | 3.53 | 3.14 | 2.60 | 2.36 |
| 9 | .236 (6.00) | .50 (12.70) | 226-□104-ND | 3.20 | 2.84 | 2.35 | 2.13 |
| | .236 (6.00) | .625 (15.875) | 226-□105-ND | 3.31 | 2.94 | 2.43 | 2.21 |
| | .236 (6.00) | .75 (19.05) | 226-□106-ND | 3.42 | 3.04 | 2.51 | 2.28 |
| | .236 (6.00) | .925 (23.50) | 226-□107-ND | 3.53 | 3.14 | 2.60 | 2.36 |
| 10 | .250 (6.35) | .50 (12.70) | 226-□100-ND | 3.20 | 2.84 | 2.35 | 2.13 |
| | .250 (6.35) | .625 (15.875) | 226-□101-ND | 3.31 | 2.94 | 2.43 | 2.21 |
| | .250 (6.35) | .75 (19.05) | 226-□102-ND | 3.42 | 3.04 | 2.51 | 2.28 |
| | .250 (6.35) | .925 (23.50) | 226-□103-ND | 3.53 | 3.14 | 2.60 | 2.36 |
| 10 | .125 (3.18) | .50 (12.70) | 226-□132-ND | 3.20 | 2.84 | 2.35 | 2.13 |
| | .125 (3.18) | .625 (15.875) | 226-□133-ND | 3.31 | 2.94 | 2.43 | 2.21 |
| | .125 (3.18) | .75 (19.05) | 226-□134-ND | 3.42 | 3.04 | 2.51 | 2.28 |
| | .125 (3.18) | .925 (23.50) | 226-□135-ND | 3.53 | 3.14 | 2.60 | 2.36 |
| 10 | .236 (6.00) | .50 (12.70) | 226-□140-ND | 3.20 | 2.84 | 2.35 | 2.13 |
| | .236 (6.00) | .625 (15.875) | 226-□141-ND | 3.31 | 2.94 | 2.43 | 2.21 |
| | .236 (6.00) | .75 (19.05) | 226-□142-ND | 3.42 | 3.04 | 2.51 | 2.28 |
| | .236 (6.00) | .925 (23.50) | 226-□143-ND | 3.53 | 3.14 | 2.60 | 2.36 |

| Fig. | Shaft Diameter Inch (mm) | Dimension A Inch (mm) | Digi-Key* Part No. | Price Each | | | |
|------|--------------------------|-----------------------|--------------------|------------|------|------|------|
| | | | | 1 | 50 | 100 | |
| 10 | .250 (6.35) | .50 (12.70) | 226-□136-ND | 3.20 | 2.84 | 2.35 | 2.13 |
| | .250 (6.35) | .625 (15.875) | 226-□137-ND | 3.31 | 2.94 | 2.43 | 2.21 |
| | .250 (6.35) | .75 (19.05) | 226-□138-ND | 3.42 | 3.04 | 2.51 | 2.28 |
| | .250 (6.35) | .925 (23.50) | 226-□139-ND | 3.53 | 3.14 | 2.60 | 2.36 |
| 11 | .125 (3.18) | .50 (12.70) | 226-□108-ND | 3.80 | 3.38 | 2.79 | 2.54 |
| | .125 (3.18) | .625 (15.875) | 226-□109-ND | 3.94 | 3.50 | 2.89 | 2.63 |
| | .125 (3.18) | .75 (19.05) | 226-□110-ND | 4.07 | 3.62 | 2.99 | 2.72 |
| | .125 (3.18) | .925 (23.50) | 226-□111-ND | 4.28 | 3.80 | 3.14 | 2.85 |
| 11 | .236 (6.00) | .50 (12.70) | 226-□116-ND | 3.80 | 3.38 | 2.79 | 2.54 |
| | .236 (6.00) | .625 (15.875) | 226-□117-ND | 3.94 | 3.50 | 2.89 | 2.63 |
| | .236 (6.00) | .75 (19.05) | 226-□118-ND | 4.07 | 3.62 | 2.99 | 2.72 |
| | .236 (6.00) | .925 (23.50) | 226-□119-ND | 4.28 | 3.80 | 3.14 | 2.85 |
| 12 | .250 (6.35) | .50 (12.70) | 226-□112-ND | 3.80 | 3.38 | 2.79 | 2.54 |
| | .250 (6.35) | .625 (15.875) | 226-□113-ND | 3.94 | 3.50 | 2.89 | 2.63 |
| | .250 (6.35) | .75 (19.05) | 226-□114-ND | 4.07 | 3.62 | 2.99 | 2.72 |
| | .250 (6.35) | .925 (23.50) | 226-□115-ND | 4.28 | 3.80 | 3.14 | 2.85 |
| 12 | .125 (3.18) | .50 (12.70) | 226-□144-ND | 3.80 | 3.38 | 2.79 | 2.54 |
| | .125 (3.18) | .625 (15.875) | 226-□145-ND | 3.94 | 3.50 | 2.89 | 2.63 |
| | .125 (3.18) | .75 (19.05) | 226-□146-ND | 4.07 | 3.62 | 2.99 | 2.72 |
| | .125 (3.18) | .925 (23.50) | 226-□147-ND | 4.28 | 3.80 | 3.14 | 2.85 |
| 12 | .236 (6.00) | .50 (12.70) | 226-□152-ND | 3.80 | 3.38 | 2.79 | 2.54 |
| | .236 (6.00) | .625 (15.875) | 226-□153-ND | 3.94 | 3.50 | 2.89 | 2.63 |
| | .236 (6.00) | .75 (19.05) | 226-□154-ND | 4.07 | 3.62 | 2.99 | 2.72 |
| | .236 (6.00) | .925 (23.50) | 226-□155-ND | 4.28 | 3.80 | 3.14 | 2.85 |
| 12 | .250 (6.35) | .50 (12.70) | 226-□148-ND | 3.80 | 3.38 | 2.79 | 2.54 |
| | .250 (6.35) | .625 (15.875) | 226-□149-ND | 3.94 | 3.50 | 2.89 | 2.63 |
| | .250 (6.35) | .75 (19.05) | 226-□150-ND | 4.07 | 3.62 | 2.99 | 2.72 |
| | .250 (6.35) | .925 (23.50) | 226-□151-ND | 4.28 | 3.80 | 3.14 | 2.85 |

* For complete part number, substitute the corresponding color choice (listed below) for □:

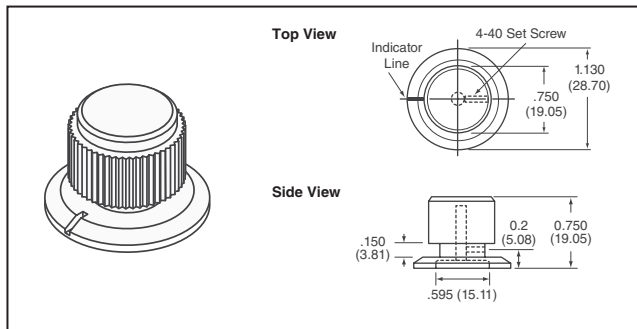
1 = Black Gloss 2 = Aluminum Gloss 3 = Aluminum Matte 4 = Black Matte

Push-to-Turn Aluminum Knobs



DDSPT Model

Made in the USA



Features:

- Precision aluminum machined surfaces from bar stock
- Anodized finish gloss or matte
- Colors are clear or black
- DDSPT knobs have a single 4-40 set screw

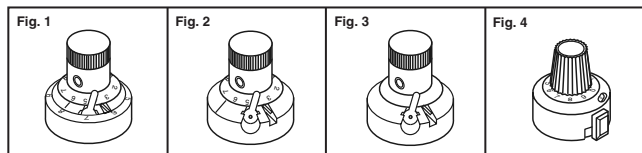
| Shaft Dia. Inch (mm) | Color/Finish | Digi-Key Part No. | Price Each | | | |
|----------------------|--------------|-------------------|------------|-------|-------|-------|
| | | | 1 | 10 | 50 | 100 |
| .125 (3.18) | Clear/Gloss | 226-1046-ND | 16.85 | 14.98 | 12.36 | 11.24 |
| .236 (6.00) | Clear/Gloss | 226-1047-ND | 16.85 | 14.98 | 12.36 | 11.24 |
| .250 (6.35) | Clear/Gloss | 226-1045-ND | 16.85 | 14.98 | 12.36 | 11.24 |
| .125 (3.18) | Black/Gloss | 226-1049-ND | 16.85 | 14.98 | 12.36 | 11.24 |
| .236 (6.00) | Black/Gloss | 226-1050-ND | 16.85 | 14.98 | 12.36 | 11.24 |
| .250 (6.35) | Black/Gloss | 226-1048-ND | 16.85 | 14.98 | 12.36 | 11.24 |
| .125 (3.18) | Clear/Matte | 226-1052-ND | 16.85 | 14.98 | 12.36 | 11.24 |
| .236 (6.00) | Clear/Matte | 226-1053-ND | 16.85 | 14.98 | 12.36 | 11.24 |
| .250 (6.35) | Clear/Matte | 226-1051-ND | 16.85 | 14.98 | 12.36 | 11.24 |
| .125 (3.18) | Black/Matte | 226-1055-ND | 16.85 | 14.98 | 12.36 | 11.24 |
| .236 (6.00) | Black/Matte | 226-1056-ND | 16.85 | 14.98 | 12.36 | 11.24 |
| .250 (6.35) | Black/Matte | 226-1054-ND | 16.85 | 14.98 | 12.36 | 11.24 |

Concentric Scale Dials



SERIES: 400, 500, 600, 3400

Made in the USA



Features: Anodized precision machined aluminum exterior. Accommodates potentiometer shaft - 1/4" (6.35mm) with 3/8" x 32-NEF-2A bushing. Requires only one square inch of panel space.

400 Series: 1" (25.40mm) 10 Turn Calibration. This world class turns-counting dial is designed for multi-turn potentiometers up to ten turns or other rotary devices. The knob/scale attaches directly to the shaft, and the body of the dial is mounted rigidly to the panel, therefore, accurate readings with a ratio of 1000 to 1 for ten turns are provided with no backlash or reading error. Available with or without locking mechanism.

500 Series: 1" (25.40mm) 1 Turn Calibrated scale.

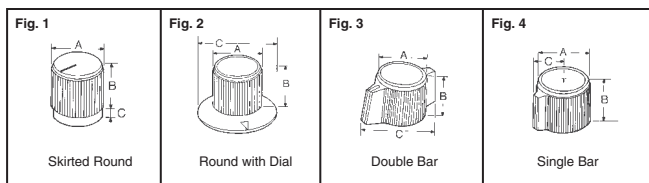
600 Series: 1" (25.40mm) 1 Turn Uncalibrated dial.

3400 Series: 7/8" (22.23mm) 20 Turn Calibration. Calibrated dial designed for multi-turn potentiometers up to twenty turns or other rotary devices. The turns counting digit appears in the window as the dial is rotated. Mounting bracket plate is installed between panel and panel nut, with the dial mounting directly to the potentiometer shaft.

| Fig. | Description | Digi-Key Part No. | Price Each | | | Kilo Part No. |
|--|--------------------------|-------------------|------------|-------|-------|---------------|
| | | | 1 | 5 | 10 | |
| Commercial 10 Turn (Calibrated) | | | | | | |
| 1 | Black Anodize, No Lock | 411KL-ND | 19.72 | 18.31 | 16.91 | 411 |
| | Black Anodize, with Lock | 412KL-ND | 20.77 | 19.29 | 17.81 | 412 |
| | Clear Anodize, No Lock | 461KL-ND | 19.72 | 18.31 | 16.91 | 461 |
| | Clear Anodize, with Lock | 462KL-ND | 19.72 | 18.31 | 16.91 | 462 |
| Commercial Single Turn (Calibrated) | | | | | | |
| 2 | Black Anodize, with Lock | 512KL-ND | 19.13 | 17.85 | 17.00 | 512 |
| | Clear Anodize, No Lock | 561KL-ND | 14.74 | 13.76 | 13.10 | 561 |
| | Clear Anodize, with Lock | 562KL-ND | 19.13 | 17.85 | 17.00 | 562 |
| Commercial Single Turn (Uncalibrated) | | | | | | |
| 3 | Black Anodize, with Lock | 612KL-ND | 18.52 | 17.29 | 16.46 | 612 |
| | Clear Anodize, with Lock | 662KL-ND | 18.52 | 17.29 | 16.46 | 662 |
| Commercial 20 Turn (Calibrated) | | | | | | |
| 4 | Black Anodize, with Lock | 3412KL-ND | 18.52 | 17.20 | 15.88 | 3412 |
| | Clear Anodize, with Lock | 3462KL-ND | 18.52 | 17.20 | 15.88 | 3462 |



Instrumentation Knobs



| Fig. | Shaft Dia. - mm | Dimensions - mm | | | Digi-Key Part No. | Price Each | | |
|------|-----------------|-----------------|-------|-------|-------------------|------------|-------|-------|
| | | A | B | C | | 1 | 10 | 100 |
| 1 | 3.18 | 12.70 | 12.95 | 3.81 | 8554K-ND | 5.82 | 5.44 | 5.33 |
| | 6.35 | 17.78 | 15.49 | 4.32 | 8555K-ND | 6.03 | 5.63 | 5.51 |
| | 6.35 | 22.86 | 20.07 | 5.59 | 8556K-ND | 6.21 | 5.80 | 5.72 |
| 2 | 3.18 | 12.70 | 13.97 | 22.86 | 8558K-ND | 7.29 | 6.81 | 6.66 |
| | 6.35 | 17.78 | 18.03 | 29.21 | 8559K-ND | 8.70 | 8.12 | 8.01 |
| | 6.35 | 22.86 | 22.10 | 38.74 | 8560K-ND | 9.93 | 9.27 | 9.14 |
| 3 | 6.35 | 17.78 | 15.49 | 29.21 | 8565K-ND | 7.38 | 6.89 | 6.77 |
| | 6.35 | 22.86 | 16.26 | 38.74 | 8566K-ND | 7.95 | 7.42 | 7.22 |
| 4 | 3.18 | 12.70 | 12.95 | 8.89 | 8567K-ND | 8.76 | 8.18 | 8.03 |
| | 6.35 | 17.78 | 15.49 | 11.68 | 8568K-ND | 10.05 | 9.38 | 9.20 |
| | 6.35 | 22.86 | 20.07 | 14.99 | 8569K-ND | 10.89 | 10.17 | 10.01 |

Knobs have a spun aluminum inlay with a clear coat finish.

More Product Available Online: www.digkey.com

Toll-Free: 1-800-344-4539 • Phone 218-681-6674 • Fax: 218-681-3380

(T091) 1947