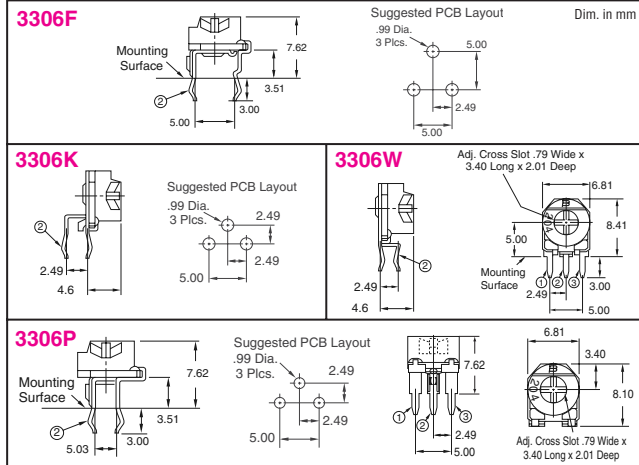


# BOURNS Trimmer Potentiometers

## SERIES 3306 — 6mm Round/Single-Turn Cermet/Industrial/Open Frame

**Characteristics:** • Cross slot rotor design suitable for automatic adjustment equipment. • Board retention feature. • Dust resistant/splash resistant cover. • Front and top adjust styles. **Resistance Tolerance:** ±25% standard **Adjustment Angle:** 215° nominal **Power Rating** (100 volts maximum): 70°C — 0.2 watt **Temperature Range:** -25°C - 100°C **Temperature Coefficient:** ±250ppm/°C **Load Life:** 1,000 hours 0.2 watt @ 70°C (5% ΔTR) **Torque** (Operating): 4.5 oz-inch maximum **Stop Strength:** 6.5 oz-inch minimum



Res. (Ω)	Digi-Key Part No.	Digi-Key Part No.	Digi-Key Part No.	Digi-Key Part No.
100	3306F-101-ND	3306K-101-ND	3306W-101-ND	3306W-101-ND
200	3306F-201-ND	3306K-201-ND	3306W-201-ND	3306W-201-ND
500	3306F-501-ND	3306K-501-ND	3306W-501-ND	3306W-501-ND
1K	3306F-102-ND	3306K-102-ND	3306W-102-ND	3306W-102-ND
2K	3306F-202-ND	3306K-202-ND	3306W-202-ND	3306W-202-ND
5K	3306F-502-ND	3306K-502-ND	3306W-502-ND	3306W-502-ND
10K	3306F-103-ND	3306K-103-ND	3306W-103-ND	3306W-103-ND
20K	3306F-203-ND	3306K-203-ND	3306W-203-ND	3306W-203-ND
50K	3306F-503-ND	3306K-503-ND	3306W-503-ND	3306W-503-ND
100K	3306F-104-ND	3306K-104-ND	3306W-104-ND	3306W-104-ND
200K	3306F-204-ND	3306K-204-ND	3306W-204-ND	3306W-204-ND
500K	3306F-504-ND	3306K-504-ND	3306W-504-ND	3306W-504-ND
1M	3306F-105-ND	3306K-105-ND	3306W-105-ND	3306W-105-ND

Series	1	10	100
3306F / 3306K / 3306P / 3306W	.71	5.30	49.50

◆ RoHS Compliant

## SERIES 3318 — 6mm Square/Single-Turn/Carbon/Open Frame

**Characteristics:** • Resistance Tolerance: ±30% • Contact Resistance Variation: 10% maximum • Resolution: Infinite • Adjustment Angle: 210° ±20° • Power Rating: 100-500KΩ = 50V; >500KΩ = 25V; 50°C = 0.1W • Temperature Range: -25°C - 100°C • Temperature Coefficient: ±1,000ppm/°C

Series	Res. (Ω)	Digi-Key Part No.	1	10	100
3318F	500	3318F-501-ND	.34	2.44	10.69
	1.0K	3318F-102-ND	.35	2.10	14.63
	2.0K	3318F-202-ND	.34	2.44	10.69
	5.0K	3318F-502-ND	.35	2.10	14.63
	10K	3318F-103-ND	.35	2.10	14.63
3318K	20K	3318K-203-ND	.35	2.10	14.63
	1.0M	3318K-105-ND	.35	2.10	14.63
	10K	3318K-103-ND	.34	2.44	10.69
	5.0K	3318K-502-ND	.35	2.10	14.63
	1.0M	3318K-105-ND	.35	2.10	14.63

◆ RoHS Compliant

## SERIES 3260 — 1/4" (6.35mm) Square/Multiturn (11) Wirewound/Industrial/Sealed

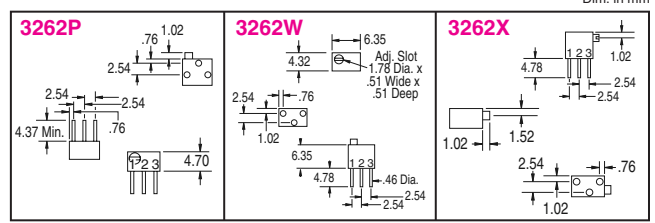
**Characteristics:** • Resistance Tolerance: ±5% standard • Insulation Resistance: 500VDC 1,000MΩ minimum • Adjustment Angle: 11 turns nominal • Power Rating: 85°C = 0.25W; 150°C = 0W • Temperature Range: -65°C - 150°C • Temperature Coefficient: 70ppm/°C • Load Life: 1,000 hours 0.25W @ 85°C (2% ΔTR; ENR, 5000) • Rotational Life: 200 cycles (2% ΔTR; ENR, 5000) • Torque: 3.0 oz-inch maximum • Mechanical Stops: Wiper idles

Series	1	10	50
3260H	28.52	259.25	1114.78

◆ RoHS Compliant

## SERIES 3262 — 1/4" (6.35mm) Square/Multiturn (12) Cermet/Industrial/Sealed

**Characteristics:** • Resistance Tolerance: ±10% standard • Insulation Resistance: 500VDC 1,000MΩ minimum • Effective Travel: 12 turns nominal • Power Rating: (300 volts maximum) 85°C — 0.25 watt; 150°C — 0 watt • Temperature Range: -65°C - 150°C • Temperature Coefficient: ±100ppm/°C • Load Life: 1,000 hours 0.25 watt @ 85°C (3% ΔTR; CRV, 3% or 30, whichever is greater) • Rotational Life: 200 cycles (2% ΔTR; CRV, 3% or 30, whichever is greater) • Torque: 3.0 oz-inch maximum • Mechanical Stops: Wiper idles



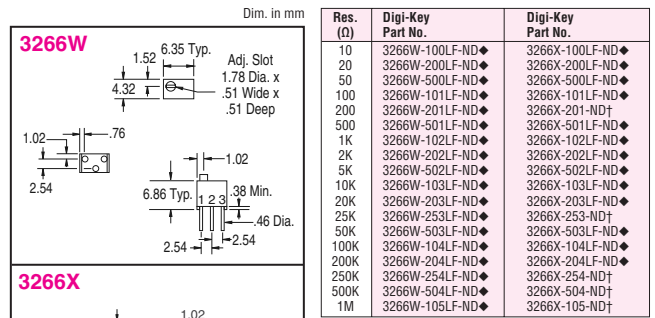
Res. (Ω)	Digi-Key Part No.	Digi-Key Part No.	Digi-Key Part No.
20	—	3262W-200LF-ND	—
50	—	3262W-500-ND	—
100	—	3262W-101LF-ND	3262X-101LF-ND
200	—	3262W-201LF-ND	—
500	—	3262W-501LF-ND	3262X-501LF-ND
1K	3262P-102-ND	3262W-102LF-ND	3262X-102LF-ND
2K	—	3262W-202LF-ND	—
5K	3262P-502LF-ND	3262W-502-ND	3262X-502-ND
10K	3262P-103LF-ND	3262W-103LF-ND	3262X-103LF-ND
20K	—	3262W-203LF-ND	3262X-203LF-ND
25K	—	3262W-253LF-ND	3262X-253LF-ND
50K	3262P-503LF-ND	3262W-503-ND	—
100K	3262P-104LF-ND	3262W-104LF-ND	3262X-104LF-ND
200K	3262P-204-ND	3262W-204LF-ND	—
250K	—	3262W-254LF-ND	—
500K	3262P-504-ND	3262W-504-ND	3262X-504LF-ND
1M	3262P-105-ND	3262W-105-ND	3262X-105LF-ND

Series	1	10	50
3262P/3262W/3262X	14.30	130.00	559.00

◆ RoHS Compliant † For RoHS Compliant Part Number change -ND to LF-ND

## SERIES 3266 — 1/4" (6.35mm) Square/Multiturn (12) Cermet/Industrial/Sealed

**Characteristics:** • Resistance Tolerance: ±10% standard • Insulation Resistance: 500VDC 1,000MΩ minimum • Effective Travel: 12 turns nominal • Power Rating (300 volts maximum): 70°C - 0.25 watt; 150°C - 0 watt • Temperature Range: -55°C - 125°C • Temperature Coefficient: ±100ppm/°C • Load Life: 1,000 hours 0.25 watt @ 70°C (3% ΔTR; CRV, 3%) • Rotational Life: 200 cycles (4% ΔTR; CRV, 3% or 30, whichever is greater) • Torque: 3.0 oz-in. maximum • Mechanical Stops: Wiper idles

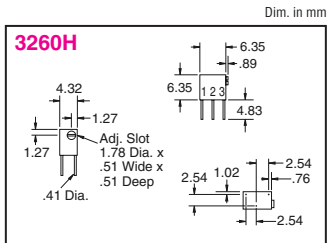


Series	1	10	50
3266W/3266X	3.58	32.50	139.75

◆ RoHS Compliant † For RoHS Compliant Part Number change -ND to LF-ND

## SERIES 3260H — 1/4" (6.35mm) Square/Multiturn (11) Wirewound/Industrial/Sealed

Res. (Ω)	Digi-Key Part No.	Nominal Resolution (Percent)
100	3260H-101-ND	1.00
200	3260H-201-ND	0.94
500	3260H-501-ND	0.58
1K	3260H-102-ND	0.50
2K	3260H-202-ND	0.45
10K	3260H-103-ND	0.29
20K	3260H-203-ND	0.28



More Product Available Online: [www.digkey.com](http://www.digkey.com)

Toll-Free: 1-800-344-4539 • Phone 218-681-6674 • Fax: 218-681-3380