



Fig.	Description	Color Code†	Length Feet (Meter)	Cord/Plug Color	AWG	Rating Amps @ 125V	Cord Type	Digi-Key Part No.	Price Each				Qualtek Part No.
									1	10	100	250	
6	Detachable Power Cord UL Listed CUL	CEE	3'3" (.99)	Black/Black	18/3	10	SVT	Q127-ND	3.83	3.46	2.78	2.35	318002-01
			3'3" (.99)	Black/Black	18/3	10	SJT	Q128-ND	4.05	3.66	2.95	2.49	318005-01
			3'3" (.99)	Black/Black	16/3	13	SJT	Q356-ND	5.08	4.59	3.69	3.12	318007-01
7	UL Listed CUL	CEE	9'10" (3.00)	Black/Black	14/3	15	SJT	Q268-ND	17.52	15.83	12.72	10.75	331010-01
9'10" (3.00)			Black/Black	18/3	10	SJT	Q129-ND	6.79	6.14	4.93	4.17	315008-01	
6'0" (1.83)			Black/Black	18/3	10	SVT	Q139-ND	5.37	4.85	3.90	3.29	350049-LD01	
9	Hospital Grade UL Listed CSA Certified	North American	10'0" (3.05)	Gray/Clear	18/3	10	SJT	Q130-ND	10.73	9.70	7.79	6.58	232003-06
10'0" (3.05)			Black/Black	18/3	10	SVT	Q140-ND	7.82	7.07	5.68	4.80	350050-LD01	
10'0" (3.05)			Gray/Clear	18/3	10	SJT	Q131-ND	10.73	9.70	7.79	6.58	232011-06	
11	UL Listed CSA Certified	North American	10'0" (3.05)	Gray/Clear	18/3	10	SJT	Q132-ND	10.99	9.93	7.98	6.74	233003-06
			10'0" (3.05)	Gray/Gray	18/3	10	SJT	Q133-ND	10.99	9.93	7.98	6.74	233009-06
			8'0" (2.44)	Gray/Clear	18/3	10	SJT	Q350-ND	9.84	8.89	7.14	6.03	233002-06
			8'0" (2.44)	Gray/Gray	18/3	10	SJT	Q351-ND	9.84	8.89	7.14	6.03	233008-06
12	North American	10'0" (3.05)	Gray/Clear	18/3	10	SJT	Q263-ND	13.01	11.76	9.45	7.98	243003-06	
<b>Universal Power Cord</b>													
6	Detachable Power Cord UL Listed, CUL & VDE Certified	CEE	3'3" (.99)	Black/Black	18/3	10	SJT/	Q345-ND	5.13	4.64	3.73	3.15	319002-T01
			8'2" (2.5)	Black/Black	18/3	10 @ 250V	H05VV-F	Q136-ND	8.24	7.45	5.99	5.06	319004-T01

† Shielded with Mylar Foil \* Temperature Rating: 105°C VW-1 ‡ Note: CEE Color Code: Brown/Blue/Green-Yellow; North American Color Code: Black/White/Green

Fig.	Description	Length Feet (Meter)	Color	Cord Type	Conductors (MM2)	Rating Amps @ 250V	Digi-Key Part No.	Price Each				Qualtek Part No.
								1	10	100	250	
<b>International Power Cords</b>												
13	Continental Europe	8'2" (2.5)	Black	H05VV-F	3 x 1.00	10	Q134-ND	5.97	5.40	4.34	3.67	363012-D01
14		8'2" (2.5)	Black	H05VV-F	3 x 1.00	10	Q135-ND	6.95	6.28	5.05	4.27	364002-D01
15		8'2" (2.5)	Black	H05VV-F	3 x 1.00	10	Q346-ND	7.01	6.33	5.09	4.30	367003-D01
16	United Kingdom	8'2" (2.5)	Black	H05VV-F	3 x 1.00	10	Q137-ND	9.23	8.34	6.71	5.66	369003-E01
17		8'2" (2.5)	Black	H05VV-F	3 x 1.00	10	Q138-ND	10.21	9.23	7.42	6.26	370001-E01
18	Australia / New Zealand	8'2" (2.5)	Black	H05VV-F	3 x 1.00	10	Q359-ND	8.36	7.56	6.08	5.13	374003-A01
19		8'2" (2.5)	Black	H05VV-F	3 x 1.00	10	Q406-ND	6.25	5.65	4.54	3.83	373003-A01
19		5'9" (1.8)	Black	H05VV-F	3 x 1.00	10	Q407-ND	5.11	4.62	3.71	3.13	373008-01
20		5'9" (1.8)	Black	H05VV-F	3 x 1.00	10	Q408-ND	6.19	5.60	4.50	3.80	374009-01
21	Switzerland	8'2" (2.5)	Black	H05VV-F	3 x 1.00	10	Q409-ND	6.14	5.55	4.46	3.77	377003-E01
21		5'9" (1.8)	Black	H05VV-F	3 x 1.00	10	Q410-ND	5.00	4.52	3.63	3.07	377009-01
22		8'2" (2.5)	Black	H05VV-F	3 x 1.00	10	Q411-ND	7.33	6.63	5.33	4.50	378001-E01
22		5'9" (1.8)	Black	H05VV-F	3 x 1.00	10	Q412-ND	6.08	5.50	4.42	3.73	378005-01
23	Italy	8'2" (2.5)	Black	H05VV-F	3 x 1.00	10	Q413-ND	6.08	5.50	4.42	3.73	380003-E01
23		5'9" (1.8)	Black	H05VV-F	3 x 1.00	10	Q414-ND	5.00	4.52	3.63	3.07	380007-01
24		8'2" (2.5)	Black	H05VV-F	3 x 1.00	10	Q415-ND	7.55	6.82	5.48	4.63	381002-D01
24		5'9" (1.8)	Black	H05VV-F	3 x 1.00	10	Q416-ND	6.08	5.50	4.42	3.73	381003-01
25	Argentina	8'2" (2.5)	Black	H05VV-F	3 x 1.00	10	Q417-ND	6.57	5.94	4.77	4.03	390001-01
25		5'9" (1.8)	Black	H05VV-F	3 x 1.00	10	Q419-ND	5.16	4.67	3.75	3.17	390003-01
26		8'2" (2.5)	Black	H05VV-F	3 x 1.00	10	Q418-ND	4.24	3.83	3.08	2.60	390002-01
26		5'9" (1.8)	Black	H05VV-F	3 x 1.00	10	Q420-ND	6.25	5.65	4.54	3.83	390004-01
27	Israel	8'2" (2.5)	Black	H05VV-F	3 x 1.00	10	Q421-ND	7.71	6.97	5.60	4.73	398001-01
27		5'9" (1.8)	Black	H05VV-F	3 x 1.00	10	Q422-ND	6.36	5.74	4.62	3.90	398002-01
28		8'2" (2.5)	Black	H05VV-F	3 x 1.00	10	Q423-ND	6.63	5.99	4.82	4.07	398005-01
28		5'9" (1.8)	Black	H05VV-F	3 x 1.00	10	Q424-ND	5.27	4.76	3.83	3.23	398006-01



## AC Receptacles



Approvals:

- 719W-00: UL, CSA, VDE
- 738W-X2/xx, 739W-X2/xx and 740W-D/02: UL, CSA
- 701W-X2/xx, 701W-15/xx, 703W-00/xx, 704-00/00, 705-00/00, 709-00/00, 710W-00/xx, 711-00/00, 712-00/00, 716W-15/xx, 716W-X2/xx, 723W-X2/xx, 744W-00/04: UL, CSA, VDE
- 770W-X2/xx, 771W-X2/02 and 771W-xxx/01: UL, CSA, VDE

• 761, 762, 763, 764, 765: UL, CSA, SEMKO

• 770W-00/01: UL, CSA, VDE

• 736B-B-101, -102: UL, CSA, VDE

• 738W-CX2-01: ULR, CSA

• 848-0X/00x, 849-0X/00x, 850-0X/00x, 851-0X/00x, 858-0X/00x, 869-0X/00x, 882-0X/00x, 883-0X/00x, 860-0X/00x, 861-0X/00x, 862-0X/00x, 864-0X/00x, 880-0X/00x: UL, CSA, VDE

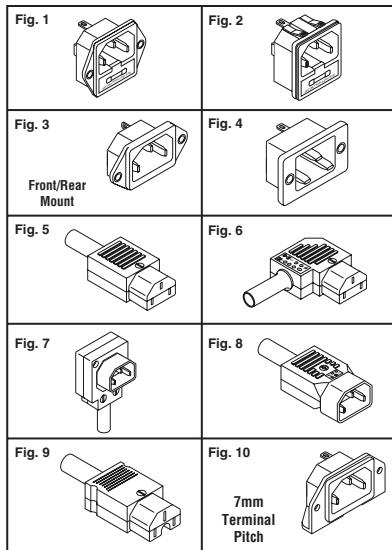


Fig.	Description	Mount Type	Panel Cutout H x W (mm)	Contact Type	Digi-Key Part No.	Price Each			Qualtek Part No.
						1	10	100	
<b>Power Inlets with Single 5x20mm Fuseholder</b>									
1	AC Receptacle, Straight, Male	Screw	31.4 x 27.0	Solder Tab	Q201-ND	1.40	1.27	1.02	719W-00/02
	AC Receptacle, Straight, Male	Screw	31.4 x 27.0	.187" (4.75mm) Fast-On	Q202-ND	2.71	2.45	1.97	719W-00/03
	AC Receptacle, Straight, Male	Screw	31.4 x 27.0	.248" (6.35mm) Fast-On	Q203-ND	1.40	1.27	1.02	719W-00/04
2	AC Receptacle, Straight, Male, .031" (0.8mm)	Snap-In	27.0 x 31.4	Solder Tab	Q204-ND	2.71	2.45	1.97	723W-X2/02
	AC Receptacle, Straight, Male, .031" (0.8mm)	Snap-In	27.0 x 31.4	.187" (4.75mm) Fast-On	Q205-ND	1.51	1.37	1.10	723W-X2/03
	AC Receptacle, Straight, Male, .031" (0.8mm)	Snap-In	27.0 x 31.4	.248" (6.35mm) Fast-On	Q206-ND	1.51	1.37	1.10	723W-X2/04
	<b>AC Power Inlets</b>								
3	AC Receptacle, Straight, Male (front or rear mt.)	Screw	19.8 x 27.4 ft.	Solder Tab	Q210-ND	.92	.84	.67	703W-00/02
	AC Receptacle, Straight, Male (front or rear mt.)	Screw	or 22.8 x 30.0	.187" (4.75mm) Fast-On	Q211-ND	.92	.84	.67	703W-00/03
	AC Receptacle, Straight, Male (front or rear mt.)	Screw	rear mount	.248" (6.35mm) Fast-On	Q212-ND	.92	.84	.67	703W-00/04
4	Power Receptacle	Screw	24.5 x 32.5	.248" (6.3mm) Quick Connect	Q235-ND	1.02	.93	.75	744W-00/04
<b>AC Power Plug Assemblies</b>									
5	In-Line Plug, Straight, Female	Cord	—	Screw Terminals	Q213-ND	5.27	4.77	3.83	704-00/00
6	In-Line Plug, Right Angle, Female	Cord	—	Screw Terminals	Q214-ND	7.35	6.64	5.34	705-00/00
7	In-Line Plug, Right Angle, Male	Cord	—	Screw Terminals	Q215-ND	8.75	7.91	6.36	711-00/00
8	In-Line Plug, Straight, Male	Cord	—	Screw Terminals	Q216-ND	8.75	7.91	6.36	712-00/00
9	In-Line Plug, Straight, Female	Cord	—	Screw Terminals	Q217-ND	5.83	5.27	4.23	709-00/00
<b>Angled Inlet PCB Mount</b>									
10	AC Receptacle, Right Angle, Male	Screw	23.3 x 31.1	Round PC Terminals	Q218-ND	.97	.88	.71	703W-00/52
	AC Receptacle, Right Angle, Male	Screw	23.3 x 31.1	Flat PC Terminals	Q219-ND	.97	.88	.71	703W-00/53

(Continued)

More Product Available Online: [www.digkey.com](http://www.digkey.com)

Toll-Free: 1-800-344-4539 • Phone 218-681-6674 • Fax: 218-681-3380

(T091) 1547



E

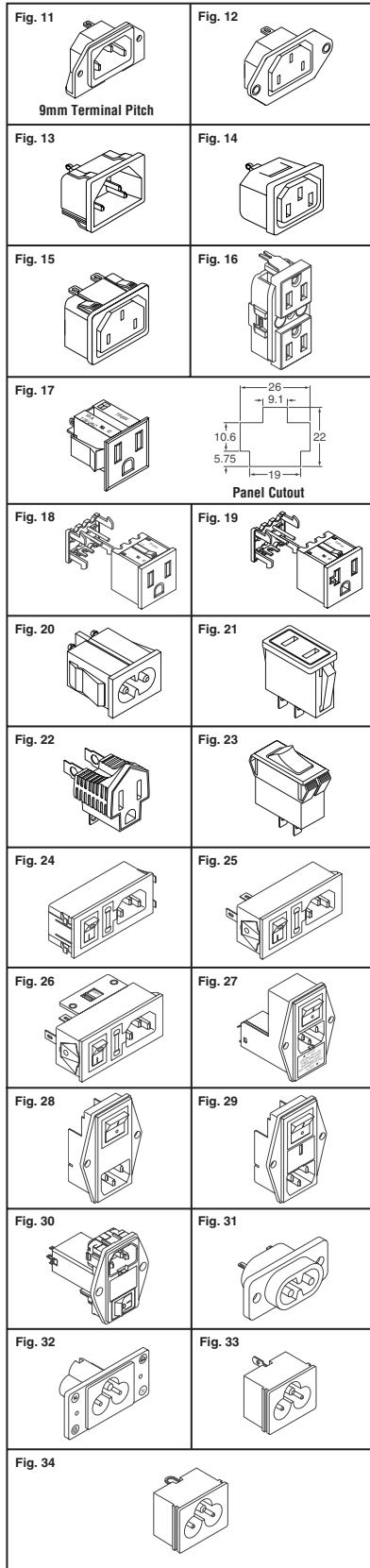


Fig.	Description	Mount Type	Panel Cutout H x W (mm)	Contact Type	Digi-Key Part No.	Price Each			Qualtek Part No.
						1	10	100	
11	AC Receptacle, Right Angle, Male	Screw	23.3 x 31.1	Flat PC Terminals	Q220-ND	.97	.88	.71	703W-00/54
<b>AC Power Inlets IEC 320</b>									
3	AC Receptacle, Straight, Male (front or rear mt.)	Screw	19.8 x 27.4 frt. or 22.8 x 30.8 rear mount	.187" (4.75mm) Fast-On	Q335-ND	.92	.84	.67	703W-00/07
	AC Receptacle, Straight, Male (front or rear mt.)	Screw		.250" (6.35mm) Fast-On	Q336-ND	.92	.84	.67	703W-00/08
	AC Receptacle, Straight, Male (front or rear mt.)	Screw	20.0 x 28 frt. or 22.5 x 30.3 rear mount	Solder Tab	Q334-ND	.92	.84	.67	703W-00/06
12	AC Receptacle, Straight, Female	Screw	25.0 x 32.5	Solder Tab	Q221-ND	1.13	1.02	.82	710W-00/01
	AC Receptacle, Straight, Female	Screw	25.0 x 32.5	.187" (4.75mm) Fast-On	Q222-ND	1.13	1.02	.82	710W-00/02
	AC Receptacle, Straight, Female	Screw	25.0 x 32.5	.248" (6.35mm) Fast-On	Q223-ND	1.13	1.02	.82	710W-00/03
13	AC Receptacle, Straight, Male, .031" (0.8mm)	Snap-In	27.0 x 20.5	Solder Tab	Q207-ND	.82	.74	.60	701W-X2/02
	AC Receptacle, Straight, Male, .031" (0.8mm)	Snap-In	27.0 x 20.5	.187" (4.75mm) Fast-On	Q208-ND	.82	.74	.60	701W-X2/03
	AC Receptacle, Straight, Male, .031" (0.8mm)	Snap-In	27.0 x 20.5	.248" (6.35mm) Fast-On	Q209-ND	.82	.74	.60	701W-X2/04
	Power Receptacle, .059" (1.5mm), Male	Snap-In	27.2 x 19.7	Solder Tab	Q256-ND	.82	.74	.60	701W-15/21
14	Power Receptacle, .059" (1.5mm), Male	Snap-In	27.2 x 19.7	.187" (4.7mm) Fast-On/Solder Tab	Q257-ND	.82	.74	.60	701W-15/26
	Power Receptacle, .059" (1.5mm), Male	Snap-In	27.2 x 19.7	.250" (6.35mm) Fast-On	Q258-ND	.82	.74	.60	701W-15/31
	Power Receptacle, .059" (1.5mm), Female	Snap-In	25.3 x 32.6	Solder Tab	Q259-ND	1.18	1.07	.86	716W-15/05
	Power Receptacle, .059" (1.5mm), Female	Snap-In	25.3 x 32.6	.187" (4.7mm) Fast-On/Solder Tab	Q260-ND	1.18	1.07	.86	716W-15/10
15	AC Recept., Straight, Female, .031" (0.8mm)	Snap-In	25.3 x 32.6	Solder Tab	Q224-ND	.87	.79	.64	716W-X2/01
	AC Recept., Straight, Female, .031" (0.8mm)	Snap-In	25.3 x 32.6	.187" (4.75mm) Fast-On	Q225-ND	.87	.79	.64	716W-X2/02
	AC Recept., Straight, Female, .031" (0.8mm)	Snap-In	25.3 x 32.6	.248" (6.35mm) Fast-On	Q226-ND	.87	.79	.64	716W-X2/03
<b>NEMA 5-15R Power Outlets</b>									
16	AC Receptacle, Dual, Female	Screw Panel	(2) 28.5 x 27.5	Spring Contact	Q339-ND	1.23	1.11	.90	740W-D/02
17	AC Receptacle, Straight, Female, .031" (0.8mm)	Snap-In	See Drawing	.187" (4.75mm) Fast-On	Q227-ND	.85	.77	.62	738W-X2/03
	AC Receptacle, Straight, Female, .031" (0.8mm)	Snap-In		.187" (4.75mm) Fast-On	Q337-ND	.85	.77	.62	738W-X2/01
18	AC Receptacle, Straight, Female, .031" (0.8mm)	Snap-In	24.6 x 24.6	IDC Crimp Terminals	Q228-ND	.84	.76	.61	739W-X2/03
	AC Receptacle, Straight, Female, .031" (0.8mm)	Snap-In	24.5 x 24.5	IDC Crimp Terminals	Q338-ND	1.08	.98	.79	739W-X2/04
<b>NEMA 5-20P Power Outlets</b>									
19	AC Receptacle, Straight, Female, .031" (0.8mm)	Snap-In	24.5 x 24.5	IDC Crimp Terminals	Q282-ND	1.18	1.07	.86	739W-X2/20
<b>Power Receptacles</b>									
20	Power Receptacle	Screw	12.4 x 21.0	Solder Tab	Q269-ND	.61	.56	.45	770W-X2/03
	Power Receptacle	Panel	12.4 x 21.0	Right Angle, PCB Pins	Q273-ND	.61	.56	.45	770W-X2/10
	Power Receptacle	Snap-In	12.5 x 24.5	PCB Pins	Q277-ND	.87	.79	.64	771W-X2/02
21	Power Receptacle, 2 Conductors	Snap-In	12.4 x 22.1	4.8mm Tab	Q281-ND	.77	.70	.56	738W-CX2-01
<b>AC Adapter</b>									
22	AC Adapter 3 Prong/2 Prong	—	—	Wall Plug	Q280-ND	.86	.78	.63	738W-E-01
<b>Circuit Breaker Switch</b>									
23	Illuminated, Black Body with Red Actuator, 15 Amp	Panel	14.0 x 28.5	Solder Tab	Q278-ND	2.15	1.95	1.57	736W-B/101
	Non-Illuminated, Black Body with Red Actuator, 15 Amp	Panel	14.0 x 28.5	Solder Tab	Q279-ND	1.89	1.71	1.38	736W-B/102
<b>Multi-Function Modules with Switch</b>									
24	Male, Plastic Housing, SPST, Single Fuse 5x20	Snap-In	66.0 x 27.0	Solder Tab	Q300-ND	8.68	6.21	5.15	761-18/003
	Male, Plastic Housing, DPST, Single Fuse 5x20	Snap-In	66.0 x 26.9	Solder Tab	Q301-ND	11.98	8.56	7.11	761-18/004
25	Male, Metal Housing, SPST, Single Fuse 5x20	Snap-In	66.0 x 27.0	.250" Fast-On	Q302-ND	11.56	8.26	6.86	762-18/002
	Male, Metal Housing, DPST, Single Fuse 5x20	Snap-In	66.0 x 27.0	.250" Fast-On	Q303-ND	18.07	12.91	10.72	762-18/003
26	Male, Metal Housing, SPST, Single Fuse 5x20	Snap-In	66.0 x 27.0	.250" Fast-On	Q304-ND	18.07	12.91	10.72	762-18/004
	Male, Metal Housing, DPST, Single Fuse 5x20	Snap-In	66.0 x 27.0	.250" Fast-On	Q305-ND	21.82	15.59	12.94	762-18/005
27	Male, Plastic Housing, DPST, 5x20 or 6.3x32mm Fuseholder	Screw	58.9 x 27.5	Solder Tab	Q306-ND	9.39	6.71	5.57	763-00/001
28	Male, Plastic Housing, DPST, Double 5x20	Screw	72.4 x 27.9	Solder Tab	Q307-ND	10.81	7.72	6.41	764-00/002
29	Male, Plastic Housing, DPST, Double 5x20	Screw	72.4 x 27.9	Solder Tab	Q308-ND	12.46	8.90	7.39	764-00/003
30	Male, Plastic Housing, DPST	Screw	55.9 x 28.5	Solder Tab	Q340-ND	10.08	9.11	7.32	765-00/001
<b>Low Power Inlets</b>									
31	Male, Thermoplastic Housing	Screw	21.0 x 12.4	Solder Tab	Q309-ND	.77	.70	.56	770W-00/01
32	Male, Thermoplastic Housing	Screw	24.5 x 12.5	Solder Tab	Q310-ND	1.40	1.27	1.02	771W-AX2/01
33	Male, Thermoplastic Housing	Panel	24.5 x 12.5	Solder Tab	Q311-ND	1.08	.98	.79	771W-BX2/01
34	Male, Thermoplastic Housing	Panel	24.5 x 12.5	Solder Tab	Q312-ND	1.24	1.12	.90	771W-CX2/01

More Product Available Online: [www.digkey.com](http://www.digkey.com)

Toll-Free: 1-800-344-4539 • Phone 218-681-6674 • Fax: 218-681-3380