



- Temperature Rating: 60°C
- Volt Rating: 125VAC
- Small Appliance Line Cord: NEMA 1-15 P Polarized Plug
- Male Plug Power Cord: NEMA 5-15 P Plug
- Detachable Power Cord: NEMA 5-15 P Plug, IEC 320 Connector

- SPT-1:** All thermoplastic, parallel-jacketed, with or without third conductor for grounding purposes only. Light duty cord for pendant or portable use in damp locations. 300V
- SPT-2:** Thermoplastic, PVC/No jacket, 16-18AWG, 2 or 3 Conductors, 300V

- SVT:** Two or three-conductor, all plastic construction with or without third conductor for grounding purposes only. 300V, 60°C
- SJT:** Junior hard service thermoplastic or rubber-insulated conductors with overall thermoplastic jacket. 300V, 60°C - 105°C
- H05VV-F:** Unshielded, CEC, 250V 70°C

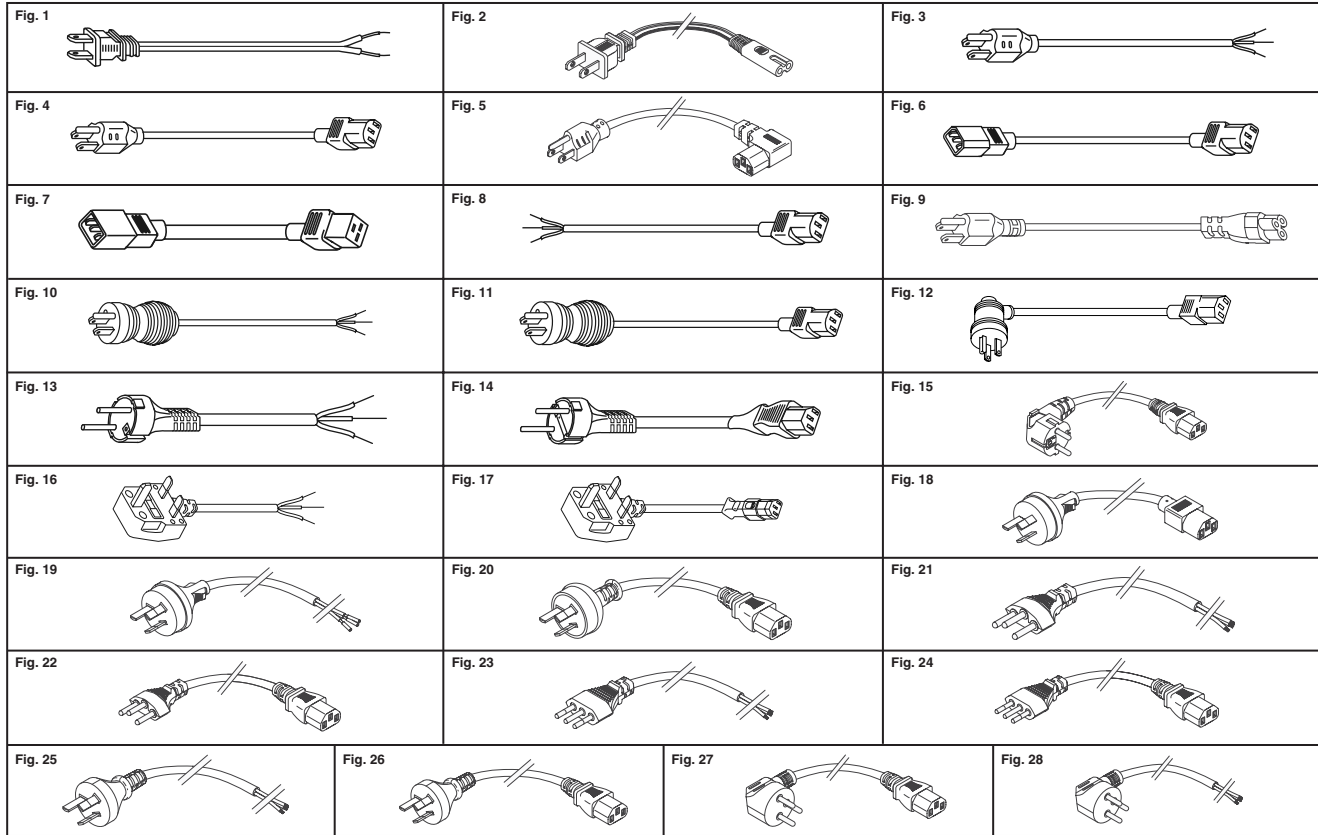


Fig.	Description	Color Code‡	Length Feet (Meter)	Cord/Plug Color	AWG	Rating Amps @ 125V	Cord Type	Digi-Key Part No.	1	10	100	250	Qualtek Part No.	
North American Power Cords														
1	Small Appliance Line Cord UL Listed CUL	—	6'0" (1.83)	Brown/Brown	18/2	10	SPT-1	Q100-ND	2.23	2.01	1.62	1.37	221001-03	
			6'0" (1.83)	White/White	18/2	10	SPT-1	Q101-ND	2.23	2.01	1.62	1.37	221001-08	
			6'0" (1.83)	Black/Black	18/2	10	SPT-1	Q114-ND	2.23	2.02	1.62	1.37	221001-01	
			9'0" (2.74)	Black/Black	18/2	10	SPT-1	Q121-ND	3.31	2.99	2.41	2.03	221002-01	
			6'0" (1.83)	Black/Black	18/2	7	SPT-2	Q348-ND	3.08	2.79	2.24	1.89	223020-01	
2		—	8'0" (2.44)	Black/Black	18/2	7	SPT-2	Q349-ND	3.77	3.41	2.74	2.31	223021-01	
			6'7" (2.01)	Black/Black	18/3	10	SVT	Q106-ND	4.74	4.28	3.44	2.91	311007-01	
3	Male Plug Power Cord UL Listed CUL	CEE	9'10" (3.00)	Black/Black	18/3	10	SVT	Q107-ND	6.45	5.83	4.69	3.96	311010-01	
			6'7" (2.01)	Black/Black	18/3	10	SJT	Q108-ND	5.02	4.54	3.65	3.08	311013-01	
			9'10" (3.00)	Black/Black	18/3	10	SJT	Q109-ND	6.62	5.99	4.81	4.06	311016-01	
			6'7" (2.01)	Black/Black	16/3	13	SJT	Q110-ND	6.51	5.88	4.73	3.99	311019-01	
			9'10" (3.00)	Black/Black	16/3	13	SJT	Q111-ND	9.70	8.77	7.05	5.95	311022-01	
			6'7" (2.01)	Black/Black	14/3	15	SJT	Q112-ND	9.82	8.87	7.13	6.02	311024-01	
			9'10" (3.00)	Black/Black	14/3	15	SJT	Q113-ND	13.56	12.25	9.85	8.32	311027-01	
			North American	8'0" (2.44)	Gray/Gray	18/3	10	SVT	Q122-ND	5.48	4.95	3.98	3.36	211012-06
				8'0" (2.44)	Gray/Gray	18/3	10	SJT	Q123-ND	5.54	5.01	4.02	3.40	211018-06
		4	Detachable Power Cord UL Listed CUL	CEE	6'7" (2.01)	Black/Black	18/3	10	SJT	Q102-ND	5.59	5.05	4.06	3.43
9'10" (3.00)	Black/Black				18/3	10	SJT	Q103-ND	7.54	6.81	5.47	4.62	312010-01	
6'7" (2.01)	Black/Black				16/3	13	SJT	Q115-ND	7.42	6.71	5.39	4.55	312011-01	
9'10" (3.00)	Black/Black				16/3	13	SJT	Q116-ND	10.10	9.13	7.34	6.20	312014-01	
9'10" (3.00)	Black/Black				16/3	13	SJT	Q120-ND†	18.15	16.40	13.18	11.13	312040-01	
7'6" (2.29)	Black/Black				16/3	13	SJT	Q124-ND	8.68	7.84	6.30	5.32	312013-01	
7'6" (2.29)	Black/Black				18/3	10	SVT	Q125-ND	5.94	5.37	4.31	3.64	312003-01	
7'6" (2.29)	Black/Black				18/3	10	SVT	Q126-ND*	6.34	5.73	4.60	3.89	312021-01	
7'6" (2.29)	Black/Black				18/3	10	SJT	Q352-ND	6.91	6.24	5.02	4.24	312008-01	
9'10" (3.00)	Black/Black			14/3	15	SJT	Q353-ND	14.23	12.86	10.33	8.73	312019-01		
North American	7'6" (2.29)	Black/Black	18/3	10	SVT	Q347-ND	6.17	5.57	4.48	3.78	212004-01			
	6'7" (2.01)	Black/Black	18/3	10	SJT	Q104-ND	5.94	5.37	4.31	3.64	313006-01			
5	Detachable Power Cord UL Listed CUL	CEE	6'7" (2.01)	Black/Black	16/3	13	SJT	Q117-ND	9.00	8.14	6.54	5.52	313010-01	
			9'10" (3.00)	Black/Black	18/3	10	SJT	Q105-ND	8.16	7.38	5.93	5.01	313009-01	
			9'10" (3.00)	Black/Black	16/3	13	SJT	Q118-ND	10.85	9.80	7.88	6.65	313014-01	
			9'10" (3.00)	Black/Black	16/3	13	SJT	Q119-ND†	23.98	21.66	17.41	14.70	313026-01	
			7'6" (2.29)	Black/Black	18/3	10	SVT	Q354-ND	5.71	5.16	4.15	3.50	313001-01	
			6'7" (2.01)	Black/Black	18/3	10	SVT	Q355-ND	5.42	4.90	3.94	3.33	313003-01	
			7'6" (2.29)	Black/Black	16/3	13	SJT	Q360-ND	8.79	7.95	6.39	5.39	313011-01	

† Shielded with Mylar Foil * Temperature Rating: 105°C VW-1 ‡ Note: CEE Color Code: Brown/Blue/Green-Yellow; North American Color Code: Black/White/Green

(Continued)

More Product Available Online: www.digikey.com



Fig.	Description	Color Code†	Length Feet (Meter)	Cord/Plug Color	AWG	Rating Amps @ 125V	Cord Type	Digi-Key Part No.	Price Each				Qualtek Part No.
									1	10	100	250	
6	Detachable Power Cord UL Listed CUL	CEE	3'3" (.99)	Black/Black	18/3	10	SVT	Q127-ND	3.83	3.46	2.78	2.35	318002-01
			3'3" (.99)	Black/Black	18/3	10	SJT	Q128-ND	4.05	3.66	2.95	2.49	318005-01
			3'3" (.99)	Black/Black	16/3	13	SJT	Q356-ND	5.08	4.59	3.69	3.12	318007-01
7	UL Listed CUL	CEE	9'10" (3.00)	Black/Black	14/3	15	SJT	Q268-ND	17.52	15.83	12.72	10.75	331010-01
8			9'10" (3.00)	Black/Black	18/3	10	SJT	Q129-ND	6.79	6.14	4.93	4.17	315008-01
9	Hospital Grade UL Listed CSA Certified	North American	6'0" (1.83)	Black/Black	18/3	10	SVT	Q139-ND	5.37	4.85	3.90	3.29	350049-LD01
			10'0" (3.05)	Black/Black	18/3	10	SVT	Q140-ND	7.82	7.07	5.68	4.80	350050-LD01
10	Hospital Grade UL Listed CSA Certified	North American	10'0" (3.05)	Gray/Clear	18/3	10	SJT	Q130-ND	10.73	9.70	7.79	6.58	232003-06
			10'0" (3.05)	Gray/Gray	18/3	10	SJT	Q131-ND	10.73	9.70	7.79	6.58	232011-06
11	Hospital Grade UL Listed CSA Certified	North American	10'0" (3.05)	Gray/Clear	18/3	10	SJT	Q132-ND	10.99	9.93	7.98	6.74	233003-06
			10'0" (3.05)	Gray/Gray	18/3	10	SJT	Q133-ND	10.99	9.93	7.98	6.74	233009-06
			8'0" (2.44)	Gray/Clear	18/3	10	SJT	Q350-ND	9.84	8.89	7.14	6.03	233002-06
			8'0" (2.44)	Gray/Gray	18/3	10	SJT	Q351-ND	9.84	8.89	7.14	6.03	233008-06
12	North American	10'0" (3.05)	Gray/Clear	18/3	10	SJT	Q263-ND	13.01	11.76	9.45	7.98	243003-06	
Universal Power Cord													
6	Detachable Power Cord UL Listed, CUL & VDE Certified	CEE	3'3" (.99)	Black/Black	18/3	10	SJT/	Q345-ND	5.13	4.64	3.73	3.15	319002-T01
			8'2" (2.5)	Black/Black	18/3	10 @ 250V	H05VV-F	Q136-ND	8.24	7.45	5.99	5.06	319004-T01

† Shielded with Mylar Foil * Temperature Rating: 105°C VW-1 ‡ Note: CEE Color Code: Brown/Blue/Green-Yellow; North American Color Code: Black/White/Green

Fig.	Description	Length Feet (Meter)	Color	Cord Type	Conductors (MM2)	Rating Amps @ 250V	Digi-Key Part No.	Price Each				Qualtek Part No.
								1	10	100	250	
International Power Cords												
13	Continental Europe	8'2" (2.5)	Black	H05VV-F	3 x 1.00	10	Q134-ND	5.97	5.40	4.34	3.67	363012-D01
14		8'2" (2.5)	Black	H05VV-F	3 x 1.00	10	Q135-ND	6.95	6.28	5.05	4.27	364002-D01
15		8'2" (2.5)	Black	H05VV-F	3 x 1.00	10	Q346-ND	7.01	6.33	5.09	4.30	367003-D01
16	United Kingdom	8'2" (2.5)	Black	H05VV-F	3 x 1.00	10	Q137-ND	9.23	8.34	6.71	5.66	369003-E01
17		8'2" (2.5)	Black	H05VV-F	3 x 1.00	10	Q138-ND	10.21	9.23	7.42	6.26	370001-E01
18	Australia / New Zealand	8'2" (2.5)	Black	H05VV-F	3 x 1.00	10	Q359-ND	8.36	7.56	6.08	5.13	374003-A01
19		8'2" (2.5)	Black	H05VV-F	3 x 1.00	10	Q406-ND	6.25	5.65	4.54	3.83	373003-A01
19		5'9" (1.8)	Black	H05VV-F	3 x 1.00	10	Q407-ND	5.11	4.62	3.71	3.13	373008-01
20		5'9" (1.8)	Black	H05VV-F	3 x 1.00	10	Q408-ND	6.19	5.60	4.50	3.80	374009-01
21	Switzerland	8'2" (2.5)	Black	H05VV-F	3 x 1.00	10	Q409-ND	6.14	5.55	4.46	3.77	377003-E01
21		5'9" (1.8)	Black	H05VV-F	3 x 1.00	10	Q410-ND	5.00	4.52	3.63	3.07	377009-01
22		8'2" (2.5)	Black	H05VV-F	3 x 1.00	10	Q411-ND	7.33	6.63	5.33	4.50	378001-E01
22		5'9" (1.8)	Black	H05VV-F	3 x 1.00	10	Q412-ND	6.08	5.50	4.42	3.73	378005-01
23	Italy	8'2" (2.5)	Black	H05VV-F	3 x 1.00	10	Q413-ND	6.08	5.50	4.42	3.73	380003-E01
23		5'9" (1.8)	Black	H05VV-F	3 x 1.00	10	Q414-ND	5.00	4.52	3.63	3.07	380007-01
24		8'2" (2.5)	Black	H05VV-F	3 x 1.00	10	Q415-ND	7.55	6.82	5.48	4.63	381002-D01
24		5'9" (1.8)	Black	H05VV-F	3 x 1.00	10	Q416-ND	6.08	5.50	4.42	3.73	381003-01
25	Argentina	8'2" (2.5)	Black	H05VV-F	3 x 1.00	10	Q417-ND	6.57	5.94	4.77	4.03	390001-01
25		5'9" (1.8)	Black	H05VV-F	3 x 1.00	10	Q419-ND	5.16	4.67	3.75	3.17	390003-01
26		8'2" (2.5)	Black	H05VV-F	3 x 1.00	10	Q418-ND	4.24	3.83	3.08	2.60	390002-01
26		5'9" (1.8)	Black	H05VV-F	3 x 1.00	10	Q420-ND	6.25	5.65	4.54	3.83	390004-01
27	Israel	8'2" (2.5)	Black	H05VV-F	3 x 1.00	10	Q421-ND	7.71	6.97	5.60	4.73	398001-01
27		5'9" (1.8)	Black	H05VV-F	3 x 1.00	10	Q422-ND	6.36	5.74	4.62	3.90	398002-01
28		8'2" (2.5)	Black	H05VV-F	3 x 1.00	10	Q423-ND	6.63	5.99	4.82	4.07	398005-01
28		5'9" (1.8)	Black	H05VV-F	3 x 1.00	10	Q424-ND	5.27	4.76	3.83	3.23	398006-01



AC Receptacles



Approvals:

- 719W-00: UL, CSA, VDE
- 738W-X2/xx, 739W-X2/xx and 740W-D/02: UL, CSA
- 701W-X2/xx, 701W-15/xx, 703W-00/xx, 704-00/00, 705-00/00, 709-00/00, 710W-00/xx, 711-00/00, 712-00/00, 716W-15/xx, 716W-X2/xx, 723W-X2/xx, 744W-00/04: UL, CSA, VDE
- 770W-X2/xx, 771W-X2/02 and 771W-xxx/01: UL, CSA, VDE

• 761, 762, 763, 764, 765: UL, CSA, SEMKO

• 770W-00/01: UL, CSA, VDE

• 736B-B-101, -102: UL, CSA, VDE

• 738W-CX2-01: UL, CSA

• 848-0X/00x, 849-0X/00x, 850-0X/00x, 851-0X/00x, 858-0X/00x, 869-0X/00x, 882-0X/00x, 883-0X/00x, 860-0X/00x, 861-0X/00x, 862-0X/00x, 864-0X/00x, 880-0X/00x: UL, CSA, VDE

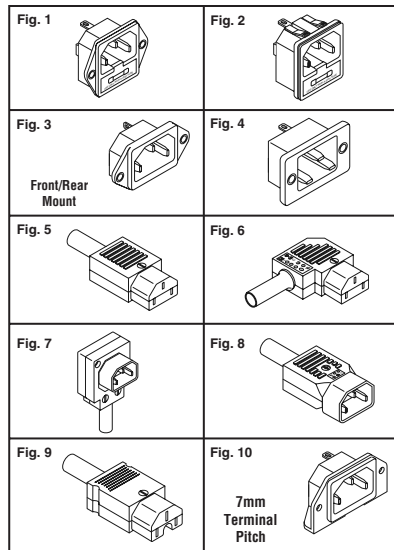


Fig.	Description	Mount Type	Panel Cutout H x W (mm)	Contact Type	Digi-Key Part No.	Price Each			Qualtek Part No.
1	2	3	4	5	6	7	8	9	10
Power Inlets with Single 5x20mm Fuseholder									
1	AC Receptacle, Straight, Male	Screw	31.4 x 27.0	Solder Tab	Q201-ND	1.40	1.27	1.02	719W-00/02
	AC Receptacle, Straight, Male	Screw	31.4 x 27.0	.187" (4.75mm) Fast-On	Q202-ND	2.71	2.45	1.97	719W-00/03
	AC Receptacle, Straight, Male	Screw	31.4 x 27.0	.248" (6.35mm) Fast-On	Q203-ND	1.40	1.27	1.02	719W-00/04
2	AC Receptacle, Straight, Male, .031" (0.8mm)	Snap-In	27.0 x 31.4	Solder Tab	Q204-ND	2.71	2.45	1.97	723W-X2/02
	AC Receptacle, Straight, Male, .031" (0.8mm)	Snap-In	27.0 x 31.4	.187" (4.75mm) Fast-On	Q205-ND	1.51	1.37	1.10	723W-X2/03
	AC Receptacle, Straight, Male, .031" (0.8mm)	Snap-In	27.0 x 31.4	.248" (6.35mm) Fast-On	Q206-ND	1.51	1.37	1.10	723W-X2/04
	AC Power Inlets								
3	AC Receptacle, Straight, Male (front or rear mt.)	Screw	19.8 x 27.4 ft.	Solder Tab	Q210-ND	.92	.84	.67	703W-00/02
	AC Receptacle, Straight, Male (front or rear mt.)	Screw	or 22.8 x 30.0	.187" (4.75mm) Fast-On	Q211-ND	.92	.84	.67	703W-00/03
	AC Receptacle, Straight, Male (front or rear mt.)	Screw	rear mount	.248" (6.35mm) Fast-On	Q212-ND	.92	.84	.67	703W-00/04
4	Power Receptacle	Screw	24.5 x 32.5	.248" (6.3mm) Quick Connect	Q235-ND	1.02	.93	.75	744W-00/04
AC Power Plug Assemblies									
5	In-Line Plug, Straight, Female	Cord	—	Screw Terminals	Q213-ND	5.27	4.77	3.83	704-00/00
6	In-Line Plug, Right Angle, Female	Cord	—	Screw Terminals	Q214-ND	7.35	6.64	5.34	705-00/00
7	In-Line Plug, Right Angle, Male	Cord	—	Screw Terminals	Q215-ND	8.75	7.91	6.36	711-00/00
8	In-Line Plug, Straight, Male	Cord	—	Screw Terminals	Q216-ND	8.75	7.91	6.36	712-00/00
9	In-Line Plug, Straight, Female	Cord	—	Screw Terminals	Q217-ND	5.83	5.27	4.23	709-00/00
Angled Inlet PCB Mount									
10	AC Receptacle, Right Angle, Male	Screw	23.3 x 31.1	Round PC Terminals	Q218-ND	.97	.88	.71	703W-00/52
	AC Receptacle, Right Angle, Male	Screw	23.3 x 31.1	Flat PC Terminals	Q219-ND	.97	.88	.71	703W-00/53

(Continued)

More Product Available Online: www.digkey.com

Toll-Free: 1-800-344-4539 • Phone 218-681-6674 • Fax: 218-681-3380