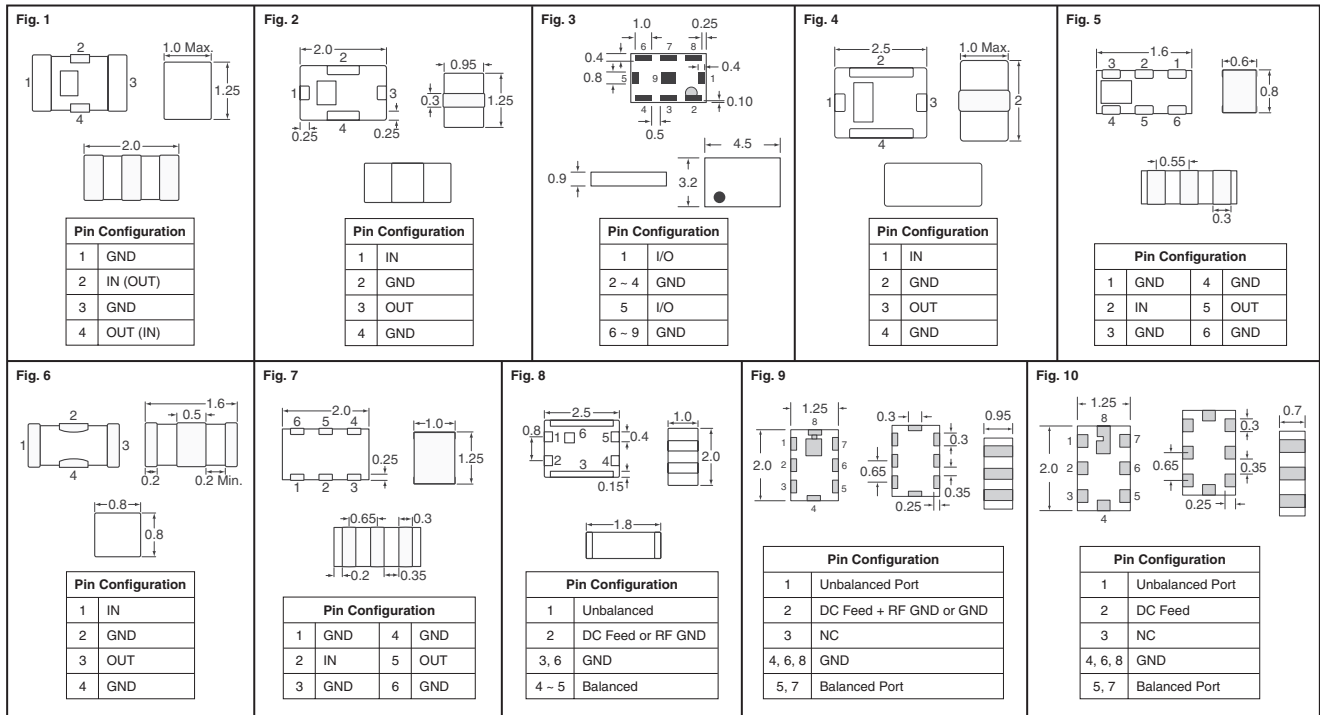


Multilayer RF Filters DEA Series - Surface Mount

Dimensions in mm



E

Fig.	Center Frequency (GHz)	Filter Type	Application	Maximum Insertion Loss (dB)	Minimum Return Loss (dB)	Digi-Key Part No.	1	10	100	Digi-Key Part No.	Qty.	Pricing	TDK Part No.
1	2.450	Band Pass	Wideband-LAN and Bluetooth	2.3	9.0	445-3251-1-ND	2.58	2.20	1.81	445-3251-2-ND	2,000	775.00/M	DEA202450BT-1195A1
2	5.425	Band Pass	Wideband-LAN	2.0	9.0	445-3252-1-ND	2.58	2.20	1.81	445-3252-2-ND	2,000	775.00/M	DEA205425BT-2028A4
3	4.000	Band Pass	UWB	1.9	10	445-3388-1-ND	4.50	3.83	3.15	445-3388-2-ND	2,000	1350.00/M	DEA453960BT-3002B1
	4.000	Band Pass	UWB	1.9	10	445-3389-1-ND	4.50	3.83	3.15	445-3389-2-ND	2,000	1350.00/M	DEA453960BT-3007B1
4	2.400	Band Pass	Wideband-LAN and Bluetooth	3.0	10	445-3253-1-ND	2.75	2.34	1.93	445-3253-2-ND	2,000	825.00/M	DEA252450BT-2024C2
	2.400	Band Pass	Wideband-LAN and Bluetooth	1.2	10	445-3254-1-ND	2.75	2.34	1.93	445-3254-2-ND	2,000	825.00/M	DEA252450BT-2027A1
	2.400	Band Pass	Wideband-LAN and Bluetooth	1.4	10	445-3255-1-ND	2.75	2.34	1.93	445-3255-2-ND	2,000	825.00/M	DEA252400BT-2030A1
5	2.450	Low Pass	Wideband-LAN and Bluetooth	.42	14	445-3257-1-ND	2.50	2.13	1.75	445-3257-2-ND	4,000	725.00/M	DEA162500LT-1212A1
	2.450	Low Pass	Wideband-LAN and Bluetooth	.48	14	445-3258-1-ND	2.50	2.13	1.75	445-3258-2-ND	4,000	725.00/M	DEA162500LT-1217A1
6	5.425	Low Pass	Wideband-LAN	.70	12	445-3259-1-ND	2.50	2.13	1.75	445-3259-2-ND	4,000	725.00/M	DEA165850LT-1197B2
7	2.400	High Pass	Wideband-LAN and Bluetooth	.80	—	445-3260-1-ND	2.58	2.20	1.81	445-3260-2-ND	2,000	775.00/M	DEA202484HT-8002A1
8	2.450	Band Pass	Wideband-LAN and Bluetooth	3.0	—	445-3256-1-ND	3.83	3.26	2.69	445-3256-2-ND	2,000	1150.00/M	DEA252450BT-7022B1
	2.450	Band Pass	Bluetooth	3.6	8	445-3381-1-ND	3.29	2.80	2.30	445-3381-2-ND	2,000	986.00/M	DEA252450BT-7035B2
	2.450	Band Pass	Bluetooth	3.0	8	445-3382-1-ND	3.29	2.80	2.30	445-3382-2-ND	2,000	986.00/M	DEA252450BT-7046A1
9	2.450	Band Pass	Wideband-LAN and Bluetooth	3.5	9	445-3383-1-ND	2.93	2.49	2.05	445-3383-2-ND	2,000	879.00/M	DEA202450BT-7077A1
10	2.440	Band Pass	Bluetooth	5.0	10	445-3384-1-ND	2.93	2.49	2.05	445-3384-2-ND	2,000	879.00/M	DEA202450BT-7041E1

Multilayer Diplexers DPX Series - Surface Mount

Dimensions in mm

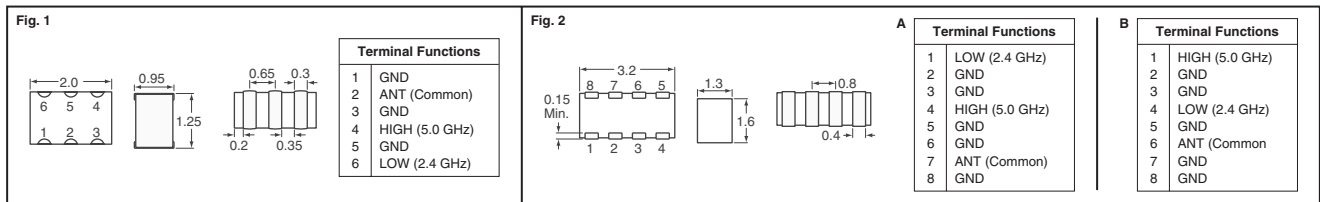


Fig.	High Frequency (GHz)	Low Frequency (GHz)	Digi-Key Part No.	1	10	100	Digi-Key Part No.	Tape & Reel Pricing 2,000	TDK Part No.
1	4.0	2.4	445-3390-1-ND	4.00	3.40	2.80	445-3390-2-ND	1200.00/M	DPX204752DT-4028A1
1A	5.0	2.4	445-3261-1-ND	2.75	2.34	1.93	445-3261-2-ND	825.00/M	DPX205950DT-9008A1
2A	5.0	2.4	445-3262-1-ND	3.83	3.26	2.69	445-3262-2-ND	1150.00/M	DPX315950DT-5006C1
2B	5.0	2.4	445-3263-1-ND	3.83	3.26	2.69	445-3263-2-ND	1150.00/M	DPX315950DT-5005B2

Digi-Reel® Most SMT cutdown parts are available on a Digi-Reel®. For Digi-Reel part number, change 1-ND to 6-ND or CT-ND to DKR-ND. See Digi-Key® Services on page 2 for additional information.

More Product Available Online: www.digkey.com

Toll-Free: 1-800-344-4539 • Phone 218-681-6674 • Fax: 218-681-3380

(T091) 1517