

Fig.	Description (applications and notes)	Inductance	Schematic Information						Digi-Key Part No.	Price Each					Newava Part No.
			Primary			Secondary				1	10	50	100	500	
			Start	CTap	Finish	Start	CTap	Finish							
1	Transformer for Maxim 250/251; 5V to 5V @ 50mA	2.5mH	1	—	3	4	—	6	470-1001-ND	10.36	7.13	4.15	3.97	3.50	S22601
2	Transformer for Maxim 250/251; For RS232 Isolation	2mH	1	2	3	4	5	6	470-1002-ND	9.20	6.33	3.68	3.52	3.11	S22100
	Isolation for Digital Audio; Crystal CS8401/2/1/1/12	225µH	1	—	2	3	—	4	470-1003-ND	9.20	6.33	3.68	3.52	3.11	S22083
3	Digital Audio, SMD; Transformer	225µH	1	—	4	5	—	8	470-1000-ND	8.96	6.16	3.48	3.03	2.69	S37211
	Isolation for Digital Audio; Crystal CS8401/2/1/1/12	225µH	1	—	3	4	—	6	470-1004-ND	8.36	5.75	3.35	3.20	2.83	S22160
	Transformer for Maxim 250/251; RS232 Isolation	2mH	3	2	1	6	5	4	470-1005-ND	8.36	5.75	3.35	3.20	2.83	S22230
4	Isolation for Digital Audio, Shielded, Crystal CS8401/2/1/1/12	225µH	1	—	3	4	—	6	470-1006-ND	8.60	5.92	3.44	3.29	2.91	S22133
	Digital Audio, Shielded, 70-110 ohm, Crystal 8401, 8402, 8411 and 8412	225µH	1	—	3	4	—	6	470-1007-ND	8.60	5.92	3.44	3.29	2.91	S22523
5	Inductor, 3.6A	33µH	1-5	—	6-10	—	—	—	470-1009-ND	9.20	6.33	3.68	3.52	3.11	S34568
6	Inductor DCR 0.04 ohms, 3.7A	47µH	1-4	—	5-8	—	—	—	470-1011-ND	9.44	6.49	3.78	3.62	3.19	S34567
7	Inductor DCR 0.300 ohms SMD, 0.45A	150µH	1	—	6	—	—	—	470-1012-ND	9.20	6.33	3.68	3.52	3.11	S34582
	Inductor DCR 0.150 ohms SMD, 0.63A	150µH	1-4	—	5-8	—	—	—	470-1013-ND	8.96	6.16	3.59	3.43	3.03	S34591
8	1A Inductor, Buck for LM257x	330µH	1	—	3	4	—	6	470-1018-ND	11.88	8.17	4.76	4.55	4.01	S34042
9	3A Inductor, Buck for LM257x	150µH	1	—	3	4	—	6	470-1008-ND	12.12	8.34	4.85	4.64	4.10	S34045
	0.9A Inductor, Buck for LM257x	1000µH	1	—	3	4	—	6	470-1014-ND	13.00	8.94	5.20	4.98	4.39	S34050
10	3.25A Inductor, for LM259x	68µH	1	—	4	5	—	8	470-1017-ND	9.44	6.49	3.78	3.62	3.19	S34566
11	2.25A Inductor, SMD for LM259x	47µH	6	1	2	3	4	5	470-1016-ND	9.20	6.33	3.68	3.52	3.11	S34603
	1.5A Inductor, SMD for LM259x	100µH	1-5	—	6-10	—	—	—	470-1019-ND	9.20	6.33	3.68	3.52	3.11	S34601

RoHS Compliant



Helically Wound Power Inductors

Features: • Very high rated current • Extremely low DC resistance • Very low profile and smallest possible footprint • Suitable for pick-and-place processes **Construction:** • Ferrite core • Magnetically shielded • Winding: Enamel copper flat wire • Self-loaded construction under body termination **General Technical Data:** • Operating Temperature: -40°C - 130°C

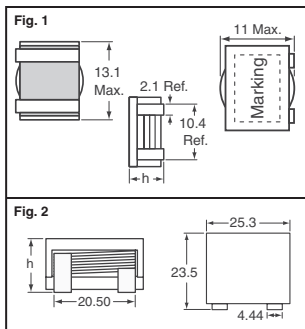


Fig.	Inductance (µH)	Tolerance	Isat (A)	Rmax (mΩ)	Dim. h (mm)	Digi-Key Part No.	Cut Tape Price Each			Digi-Key Part No.	Tape and Reel		Epcos Part No.
							1	10	50		Qty.	Pricing	
1	0.50	±10%	30	1.1	4.95	495-1866-1-ND	3.38	3.07	2.77	495-1866-2-ND	750	1249.50	B82559A0501A013
	0.95		25	1.4	5.95	495-1867-1-ND	3.38	3.07	2.77	495-1867-2-ND	550	916.30	B82559A0951A013
	1.1		20	2.2	4.95	495-1860-1-ND	3.38	3.07	2.77	495-1860-2-ND	750	1249.50	B82559A0112A013
	1.4		22	1.8	5.95	495-1861-1-ND	3.38	3.07	2.77	495-1861-2-ND	550	916.30	B82559A0142A013
	2.2		15	4.2	4.95	495-1862-1-ND	3.38	3.07	2.77	495-1862-2-ND	750	1249.50	B82559A0222A013
	2.4		16.5	3.2	5.95	495-1863-1-ND	3.38	3.07	2.77	495-1863-2-ND	550	916.30	B82559A0242A013
2	3.0	±7%	13	5.1	4.95	495-1864-1-ND	3.38	3.07	2.77	495-1864-2-ND	750	1249.50	B82559A0302A013
	3.9		12	6.0	5.95	495-1865-1-ND	3.38	3.07	2.77	495-1865-2-ND	500	833.00	B82559A0392A013
	0.44		71	0.23	8.95	495-3452-ND	5.24	3.74	3.37	—	—	—	B82559A1042A25
	1.25		50	0.46	10.75	495-3453-ND	5.85	4.18	3.77	—	—	—	B82559A2122A25
	2.3		41	0.7	11.95	495-3454-ND	6.62	4.73	4.26	—	—	—	B82559A3232A25
	2.9		33	1.15	10.75	495-3455-ND	6.16	4.40	3.96	—	—	—	B82559A3292A25
	4.35		30	1.5	10.75	495-3456-ND	7.08	5.06	4.56	—	—	—	B82559A4432A25
	6.1		28	1.75	11.95	495-3457-ND	8.62	6.16	5.55	—	—	—	B82559A5612A25
	7.9		26	2.15	12.85	495-3458-ND	9.55	6.82	6.14	—	—	—	B82559A6792A25
	10		24	2.5	12.85	495-3459-ND	9.55	6.82	6.14	—	—	—	B82559A7103A25

† Bulk

‡ 495-1866-ND Power Inductor Kit (2 each of part numbers denoted, 16 total pieces) \$61.50

More Product Available Online: www.digkey.com

Toll-Free: 1-800-344-4539 • Phone 218-681-6674 • Fax: 218-681-3380