

Fig.	VRRM (V)	IF	Package Type	Digi-Key Part No.	Pricing			Digi-Key Part No.	Tape and Reel		STMicroelectronics Part No.
					1	10	100		Qty.	Pricing	
16A	200	2 x 15A	Isolated TOP3	497-5278-5-ND◆	3.40	29.61	220.50	—	—	—	STTH3002CPI
	200	2 x 30A	Isolated TOP3	497-5283-5-ND◆	8.78	72.00	607.50	—	—	—	STTH6002CPI
	200	30A	Isolated TOP3	497-3807-5-ND◆	6.10	55.65	439.90	—	—	—	BYV52P1-200RG
16B	600	30A	Isolated TOP3	497-4410-5-ND◆	8.75	77.50	625.00	—	—	—	STTH3006TPI
17	400	60A	DO-247	497-5159-5-ND◆	5.03	41.28	348.30	—	—	—	STTH6004W
	600	20A	DO-247	497-6082-5-ND◆	4.03	31.68	268.80	—	—	—	STTH2006W
	600	30A	DO-247	497-5280-5-ND◆	4.91	40.32	340.20	—	—	—	STTH3006W
	600	30A	DO-247	497-4411-5-ND◆	3.53	27.72	235.20	—	—	—	STTH30L06W
	600	30A	DO-247	497-4413-5-ND◆	1.65	13.75	115.50	—	—	—	STTH30R06W
	600	60A	DO-247	497-3799-5-ND◆	6.01	49.28	415.80	—	—	—	STTH60L06W
	1,000	30A	DO-247	497-5154-5-ND◆	3.86	30.36	257.60	—	—	—	STTH3010W
	1,000	60A	DO-247	497-5160-5-ND◆	5.85	48.00	405.00	—	—	—	STTH6010W
	1,200	15A	DO-247	497-5152-5-ND◆	3.57	28.05	238.00	—	—	—	STTH1512W
	1,200	30A	DO-247	497-5156-5-ND◆	4.29	35.20	297.00	—	—	—	STTH3012W
	1,200	60A	DO-247	497-5161-5-ND◆	5.85	48.00	405.00	—	—	—	STTH6012W
18	600	3A	TO-220FPAB F5	497-4193-5-ND◆	1.46	12.68	97.50	—	—	—	DMV1500LF5
	600	3A	TO-220FPAB F5	497-4197-5-ND◆	1.89	14.96	127.60	—	—	—	DMV1500MFD5
19	600	6A	TO-220FPAB FD6	497-4199-5-ND◆	1.89	14.96	127.60	—	—	—	DMV1500SDFD6

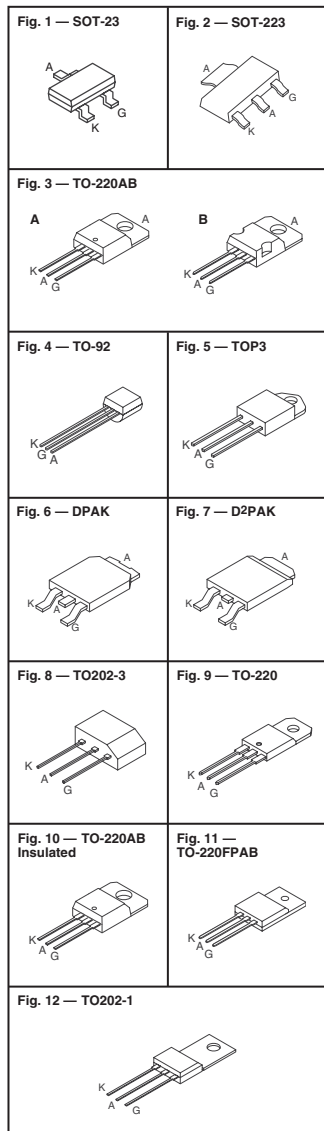
◆ RoHS Compliant ‡ Cut Tape § Ammo Pack

**C**

**SCRs**

Fig.	VDRM (V)	I <sub>T(RMS)</sub> (A)	I <sub>GT</sub>	Package	Digi-Key Part No.	Price Each			Digi-Key Part No.	Tape and Reel		STMicroelectronics Part No.
						1	10	100		Qty.	Pricing	
1	200	.25	200µA	SOT-23	497-2527-1-ND◆‡	.86	.67	.57	497-2527-2-ND◆	3,000	342.00/M	P0102BL 5AA4
	400	0.8	200mA	SOT-223	497-2523-1-ND◆‡	.72	.56	.48	497-2523-2-ND◆	1,000	320.00	P0102DN 5AA4
	600	0.8	200mA	SOT-223	497-4649-1-ND◆‡	.86	.67	.57	497-4649-2-ND◆	1,000	380.00	P0102MN 5AA4
	600	0.8	200mA	SOT-223	497-5775-1-ND◆‡	.74	.58	.50	497-5775-2-ND◆	1,000	330.00	X00602MN5BA4
	600	1.25	200mA	SOT-223	497-2532-1-ND◆‡	.90	.70	.60	497-2532-2-ND◆	1,000	400.00	X0202MN 5BA4
3A	200	8	15mA	TO-220AB	497-4483-5-ND◆	1.46	1.27	.98	—	—	—	TYN208RG
	200	25	40mA	TO-220AB	497-3279-5-ND	1.76	1.40	1.19	—	—	—	TYN225RG
	400	8	25mA	TO-220AB	497-4484-5-ND◆	1.68	1.33	1.14	—	—	—	TYN408GRG
	600	6	15mA	TO-220AB	497-4485-5-ND◆	1.29	1.02	.87	—	—	—	TYN606RG
	600	8	200mA	TO-220AB	497-2551-5-ND◆	1.63	1.30	1.11	—	—	—	TS820-600T
	600	40	35mA	TO-220AB	497-2422-5-ND◆	3.57	2.81	2.38	—	—	—	TYN640RG
	800	4	15mA	TO-220AB	497-4488-5-ND◆	1.68	1.33	1.14	—	—	—	TYN804RG
	800	10	15mA	TO-220AB	497-4489-5-ND◆	1.68	1.33	1.14	—	—	—	TYN810RG
	800	12	15mA	TO-220AB	497-4490-5-ND◆	1.68	1.33	1.14	—	—	—	TYN812RG
	800	16	25mA	TO-220AB	497-4491-5-ND◆	1.72	1.36	1.16	—	—	—	TYN816RG
	800	25	40mA	TO-220AB	497-3793-5-ND◆	4.06	3.33	2.81	—	—	—	TYN825RG
	800	40	35mA	TO-220AB	497-3792-5-ND◆	5.46	4.48	3.78	—	—	—	TYN840RG
	1000	6	15mA	TO-220AB	497-4481-5-ND◆	1.31	1.14	.88	—	—	—	TYN1006RG
1000	8	15mA	TO-220AB	497-4482-5-ND◆	1.43	1.24	.95	—	—	—	TYN1008RG	
3B	600	12	5mA	TO-220AB	497-4487-5-ND◆	1.68	1.33	1.14	—	—	—	TYN612MRG
4	400	0.8	1mA	TO-92	497-3713-1-ND◆‡	.81	.63	.54	497-3713-2-ND◆	2,000	324.00/M	P0115DA 5AL3
	400	0.8	5mA	TO-92	497-6200-1-ND◆‡	.67	.50	.40	497-6200-2-ND◆	2,000	192.00/M	P0118DA 5AL3
	400	0.8	200mA	TO-92	497-6199-1-ND◆‡	.67	.50	.40	497-6199-2-ND◆	2,000	222.00/M	P0102DA 5AL3
	600	0.8	200mA	TO-92	497-3321-1-ND◆‡	.68	.53	.45	497-3321-2-ND◆	2,000	270.00/M	X00602MA 5AL2
	600	0.8	200mA	TO-92	497-4504-1-ND◆‡	.56	.44	.31	497-4504-3-ND◆§	2,000	152.00/M	X00602MA 2AL2
	600	0.8	200mA	TO-92	497-4281-ND◆	.46	.35	.26	—	—	—	P0102MA1AA3
	600	0.8	25mA	TO-92	497-4282-1-ND◆‡	.49	.39	.27	497-4282-3-ND◆§	2,000	133.00/M	P0111MA2AL3
	600	0.8	25mA	TO-92	497-4618-ND◆	.46	.36	.25	—	—	—	P0111MA 1AA3
	600	0.8	5mA	TO-92	497-4283-1-ND◆‡	.49	.39	.27	497-4283-2-ND◆	2,000	133.00/M	P0118MA 5AL3
	600	1.25	200mA	TO-92	497-2421-ND◆	.73	.54	.43	—	—	—	X020MA 1BA2
5	200	30	50mA	TOP3	497-4185-5-ND◆	8.39	6.88	5.81	—	—	—	BTW68-200RG
	200	50	80mA	TOP3	497-4186-5-ND◆	7.96	6.53	5.51	—	—	—	BTW69-200RG
	600	30	50mA	TOP3	497-3804-5-ND◆	9.52	7.81	6.59	—	—	—	BTW68-600RG
	800	30	80mA	TOP3	497-3805-5-ND◆	9.67	7.94	6.70	—	—	—	BTW68-800RG
	1000	30	50mA	TOP3	497-4184-5-ND◆	8.39	6.88	5.81	—	—	—	BTW68-1000RG
6	600	4	200mA	DPAK	497-3276-1-ND◆‡	1.59	1.26	1.08	497-3276-2-ND◆	2,500	647.50/M	TS420-600B-TR
	600	8	.2mA	DPAK	497-5234-1-ND◆‡	1.25	.99	.85	497-5234-2-ND◆	2,500	507.50/M	TS820-600B-TR
	600	15	15mA	DPAK	497-5171-1-ND◆‡	1.25	.99	.85	497-5171-2-ND◆	2,500	507.50/M	TN1515-600B-TR
	800	8	.2mA	DPAK	497-6159-1-ND◆‡	1.76	1.40	1.19	497-6159-2-ND◆	2,500	717.50/M	TN815-800B-TR
7	800	25	40mA	D2PAK	497-6158-1-ND◆‡	3.78	2.97	2.52	497-6158-2-ND◆	1,000	1575.00	TN2540-800G-TR
	1000	16	25mA	D2PAK	497-3740-1-ND◆‡	2.73	2.15	1.82	497-3740-2-ND◆	1,000	1137.50	TN1625-1000G-TR
8	600	4	200mA	TO202-3	497-3322-ND◆	1.29	1.02	.87	—	—	—	X0402MF 1AA2
	600	4	200mA	TO202-3	497-3322-5-ND◆	.68	.53	.45	—	—	—	X0402MF 0AA2
9	800	20	25mA	TO-220	497-3562-5-ND	3.23	2.55	2.16	—	—	—	TXN692RG
	400	8	25mA	TO-220AB	497-4480-5-ND◆	1.81	1.43	1.22	—	—	—	TXN408GRG
	600	12	15mA	TO-220AB	497-3561-5-ND	2.31	1.82	1.54	—	—	—	TXN612RG
	1000	12	15mA	TO-220AB	497-4479-5-ND◆	3.15	2.48	2.10	—	—	—	TXN1012RG
11	600	12	5mA	TO-220FPAB	497-4486-5-ND◆	1.29	1.02	.87	—	—	—	TYN612MFP
12	800	4	200mA	TO202-1	497-4506-ND◆	.72	.56	.48	—	—	—	X0402NE 1AA2

◆ RoHS Compliant ‡ Cut Tape § Ammo Pack



Digi-Reel® Most SMT cutdown parts are available on a Digi-Reel®. For Digi-Reel part number, change 1-ND to 6-ND or CT-ND to DKR-ND. See Digi-Key® Services on page 2 for additional information.

**More Product Available Online: [www.digikey.com](http://www.digikey.com)**