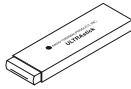


# AAVID THERMALLOY Heat Sinks

Aavid's Ultrastick™ is a unique phase-change thermal interface material that surpasses grease in thermal performance and long-term stability. This solid, silicone free, paraffin based thermal compound changes phase at 60°C, with a concurrent volumetric expansion that fills gaps between the mating surfaces. One cost effective application leaves a thin, film like deposit, providing excellent heat transfer and low interface thermal resistance.



### Features:

- Thermal resistance 20% lower than thermal grease, with significant long-term reliability benefits
- Excellent heat transfer properties, consistent at mounting pressures from less than 5 psi to more than 200 psi
- No run-out, migration, dry-out, or flaking that can occur with typical thermal grease
- Non-toxic and inert
- Electrically non-conductive
- Easy to use and dry to the touch after application, reducing labor costs
- Each bar covers approximately 1,000 in<sup>2</sup>

HS243-ND.....\$21.88

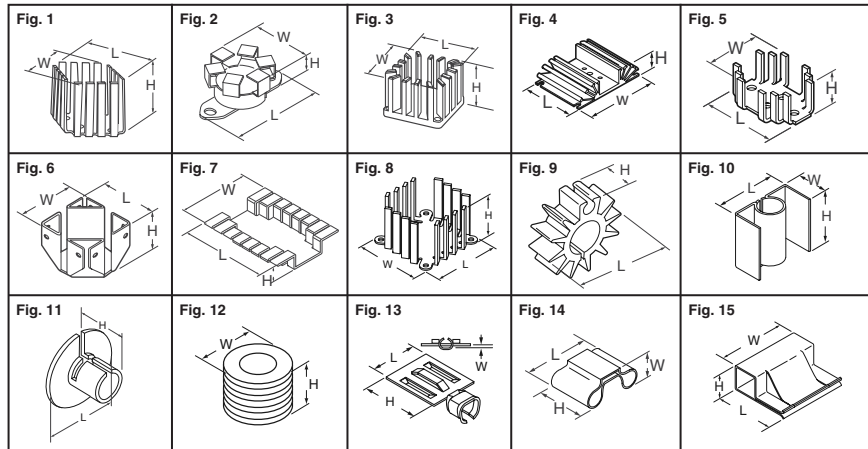


Fig.	Description	Dimensions – Inch (mm) L x W x H	Thermal Resistance °C/W	Digi-Key Part No.	Price Each 1 10 100	Aavid Part No.
1	TO-3, Compact Heat Sink, 5W, Black	1.88 x 1.40 x .50 (47.75 x 35.56 x 12.70)	11.5	HS148-ND◆	.88 .79 .62	501303B00000G
	TO-3, Compact Heat Sink, 7W, Black	1.88 x 1.40 x .75 (47.75 x 35.56 x 19.05)	8.3	HS149-ND◆	.95 .86 .67	501403B00000G
	TO-3, With Wave-On Mounts, 9W, Black	1.88 x 1.40 x .75 (47.75 x 35.56 x 19.05)	8.3	HS267-ND	2.72 2.45 1.91	501403B00100
	TO-3, With Wave-On Mounts, 9W, Black	1.88 x 1.40 x .75 (47.75 x 35.56 x 19.05)	8.3	HS384-ND◆	2.81 2.54 1.97	501403B00100G
	TO-3, Compact Heat Sink, 8.5W, Black	1.88 x 1.40 x 1.00 (47.75 x 35.56 x 25.40)	6.3	HS248-ND◆	1.31 1.19 .92	501503B00000G
2	TO-3, With Wave-On Mounts, 9W, Black	1.88 x 1.40 x 1.00 (47.75 x 35.56 x 25.40)	6.3	HS269-ND	2.61 2.35 1.83	501503B00100
	TO-3, Compact Heat Sink, 9.5W, Black	1.88 x 1.40 x 1.25 (47.75 x 35.56 x 31.75)	5.4	HS110-ND◆	1.34 1.21 .94	501603B00000G
	TO-3, Compact, 9W, Gold	1.88 x 1.40 x 1.25 (47.75 x 35.56 x 31.75)	5.4	HS270-ND◆	1.20 1.08 .84	501603C00000
3	TO-3, Expandable Collar Type (Can be used with Fig. 1), Black	1.54 x 1.125 x .87 (39.12 x 28.57 x 22.10)	22.0	HS236-ND◆	.97 .88 .68	579103B00000G
	TO-3, 25W, Black	1.81 x 1.81 x 1.25 (45.97 x 45.97 x 31.75)	5.4	HS103-1.25-ND◆	5.08 4.57 3.56	568303B00000G
4	TO-3, 17W, Black	1.81 x 1.81 x .50 (45.97 x 45.97 x 12.70)	12.5	HS103-0.5-ND◆	5.05 4.55 3.54	568303B00000G
	TO-3, Free/Forced Air No Holes, 12W, Black	1.83 x 1.83 x .50 (46.48 x 46.48 x 12.70)	5.4	HS291-ND◆	5.12 4.61 3.59	568003B00000G
	TO-3, Free or Forced Air Cooling, 12W, Black	1.83 x 1.83 x .75 (46.48 x 46.48 x 19.05)	5.4	HS293-ND◆	8.26 7.44 5.79	568003B00000G
5	TO-3, Free or Forced Air Cooling, 12W, Black	1.81 x 1.81 x 1.00 (45.97 x 45.97 x 25.40)	5.4	HS294-ND◆	7.62 6.86 5.34	568203B00000G
	TO-3, Power Cooler, 50W, Black	3.00 x 4.125 x 1.00 (76.20 x 104.78 x 25.40)	5.4	HS117-ND◆	7.63 6.87 5.34	198540B00000
6	TO-3, Space Saver, 6W, Black	1.63 x 1.29 x .75 (41.40 x 32.77 x 19.05)	5.4	HS140-ND◆	1.61 1.45 1.13	502203B00000
	TO-3, Space Saver, 8W, Black	1.63 x 1.29 x 1.00 (41.40 x 32.77 x 25.40)	5.4	HS141-ND◆	2.21 1.99 1.55	502303B00000
	TO-3, Space Saver, 12W, Black	1.63 x 1.29 x 1.25 (41.40 x 32.77 x 31.75)	5.4	HS142-ND◆	2.06 1.86 1.45	502403B00000
7	TO-3, Heat Sink, Fold-Back Fins, No Holes, 10W, Black	1.83 x 1.83 x 1.31 (46.48 x 46.48 x 33.27)	5.4	HS296-ND◆	3.04 2.74 2.13	569000B00000G
	TO-3, Fold-Back Fins, 20W, Black	1.83 x 1.83 x 1.31 (46.48 x 46.48 x 33.27)	5.4	HS110-3-ND◆	1.47 1.33 1.04	569003B00000G
	TO-3, Fold-Back Fins, 10W, Gold	1.83 x 1.83 x 1.31 (46.48 x 46.48 x 33.27)	5.4	HS298-ND	1.40 1.26 .98	569003C00000
8	TO-220, Dual Mount Power Cooler, 20W, Black	1.83 x 1.83 x 1.31 (46.48 x 46.48 x 33.27)	5.5	HS110-220-ND◆	1.86 1.68 1.31	569022B00000G
	TO-3, Universal Hole Pattern, Low Profile, Black	2.00 x 1.75 x .375 (50.80 x 44.45 x 9.53)	7.0	HS228-ND◆	1.05 .95 .74	506007B00000G
9	TO-3, Stanted Fin, 10W, Black	1.81 x 1.81 x .50 (45.97 x 45.97 x 12.70)	3.5	HS260-ND◆	2.19 1.97 1.54	500103B00000G
	TO-3, Stanted Fin, 12W, Black	1.81 x 1.81 x 1.25 (45.97 x 45.97 x 31.75)	2.5	HS264-ND◆	2.12 1.91 1.49	504003B00000G
10	TO-3, Stanted Fin, 14W, Black	2.5 x 2.5 x .90 (63.50 x 63.50 x 22.86)	4.9	HS265-ND◆	2.65 2.39 1.86	500503B00000G
	TO-5, High Performance, 2W, Black	.75 dia x .25 (19.05 dia x 6.35)	56.0	HS101-ND◆	1.14 1.03 .80	323005B00000G
11	TO-5, Press-On, 1W, Black	.5 dia x .25 (12.7 dia x 6.35)	56.0	HS253-ND◆	1.72 1.55 1.21	320205B00000G
	TO-5, Press-On, High Performance, 1W, Black	.50 dia x .375 (12.70 dia x 9.52)	30.0	HS259-ND◆	1.28 1.15 .90	326005B00000G
12	TO-5, Snap-On Cooler, 1.5W, Black	.83 x .395 x .50 (21.08 x 10.03 x 12.70)	38.0	HS217-ND◆	.51 .37 .26	578205B00000G
	TO-5, Snap-On Cooler, 2W, Black	.83 x .395 x .75 (21.08 x 10.03 x 19.05)	35.0	HS218-ND◆	.47 .34 .24	578305B00000G
13	TO-5, Dual Fin Press-Fit Heat Sink, Black	.75 dia x .40 (19.05 dia x 10.16)	56.0	HS242-ND◆	2.46 2.22 1.73	322505B00000G
	TO-5, Press-On, 1.25W, Black	.75 dia x .25 (19.05 dia x 6.35)	40.0	HS257-ND◆	2.49 2.24 1.74	322605B00000G
14	TO-5, Press-On, 1.25W, Gold	.75 dia x .25 (19.05 dia x 6.35)	40.0	HS258-ND◆	2.52 2.27 1.77	322605C00000
	TO-92 and TO-18, Press Fit, 1W, Black	.50 dia x .235 (12.70 dia x 5.97)	100.0	HS100-ND◆	1.30 1.17 .91	322400B00000G
15	TO-5, 2 Piece Part for Max Dissipation, 1W, Gold	.625 dia x .271 (15.88 dia x 6.88)	22.0	HS254-ND	7.20 6.48 5.04	311217C00000
	TO-5 & TO-39, 2 Piece Part for Max Dissipation, 2W, Black	.75 dia x .290 (19.05 dia x 7.37)	20.0	HS255-ND◆	11.26 10.14 7.89	312527B00000G
16	TO-92, Press Fit Heat Sink, For Standard or Modified Package, Black	.60 x .05 x .50 (15.24 x 1.27 x 12.70)	64.0	HS251-ND◆	.46 .33 .23	575200B00000G
	TO-126, Vertical Mount Clip-On Cooler, Black	.775 x .32 x .52 (19.69 x 8.13 x 13.21)	26.0	HS216-ND◆	.46 .33 .23	577500B00000G
17	TO-202, Compact Clip-On Heat Sink, Black	.58 x .80 x .25 (14.73 x 20.32 x 6.35)	28.0	HS247-ND◆	.57 .41 .29	574004B00000G
	TO-202, Low Profile Heat Sink, Black	.52 x .375 x .75 (13.21 x 9.53 x 19.05)	27.2	HS214-ND◆	.44 .32 .22	577304B00000G
18	TO-202, Low Profile Heat Sink, Black	.52 x .50 x .75 (13.21 x 12.70 x 19.05)	24.0	HS215-ND◆	.44 .32 .22	577404B00000G
	TO-220, Compact Heat Sink, Black	.52 x .25 x .75 (13.21 x 6.35 x 19.05)	32.0	HS105-ND◆	.40 .29 .20	577002B00000G
19	TO-220, Compact Heat Sink, Black	.52 x .375 x .75 (13.21 x 9.53 x 19.05)	25.9	HS106-ND◆	.36 .26 .18	577102B00000G
	TO-220, Compact Heat Sink, Black	.52 x .50 x .75 (13.21 x 12.70 x 19.05)	24.4	HS107-ND◆	.36 .26 .19	577202B00000
20	TO-220, Low Profile, 2.5W, Gold	.75 x .75 x .375 (19.05 x 19.05 x 9.52)	24.0	HS272-ND	.34 .31 .24	507302C00000
	TO-220, Low Profile, Low Cost Cooler, 2.5W, Black	.75 x .75 x .375 (19.05 x 19.05 x 9.52)	24.0	HS115-ND◆	.40 .29 .20	507302B00000G
21	TO-220, 2 Hole Pattern Heat Sink, Black	1.00 x .50 x 1.18 (25.40 x 12.70 x 29.97)	16.7	HS230-ND◆	.56 .44 .33	530613B00000G
	TO-220, Horizontal/Vertical Mount, 4.5W, Black	1.00 x 1.18 x .50 (25.40 x 29.97 x 12.70)	30.7	HS278-ND◆	.47 .42 .33	530614B00000G
22	TO-220, Horizontal/Vertical Mount, 3.7W, Gold	1.00 x .71 x .50 (25.40 x 18.03 x 12.70)	20.3	HS279-ND	.34 .31 .24	530714C00000
	TO-220, Compact Heat Sink, With Tabs, Black	.52 x .25 x .75 (13.21 x 6.35 x 19.05)	32.0	HS367-ND◆	.46 .42 .33	570700B00000G
23	TO-220, Compact Heat Sink, With Center Tabs, Black	.52 x .375 x .75 (13.21 x 9.53 x 19.05)	25.9	HS368-ND◆	.46 .42 .33	577102B04000G
	TO-220, Low Cost Vertical Mount, With Front Tabs, Black	1.00 x .50 x 1.18 (25.40 x 12.70 x 29.97)	13.6	HS362-ND◆	3.73 3.36 2.62	575002T00000G
24	TO-220, Low Cost Vertical Mount, With Front Tabs, Black	1.00 x .50 x 1.18 (25.40 x 12.70 x 29.97)	13.6	HS353-ND◆	3.10 2.79 2.17	563002T00000G
	TO-220, Low Cost Vertical Mount, With Center Tabs, Black	1.00 x .50 x 1.18 (25.40 x 12.70 x 29.97)	13.6	HS348-ND◆	3.26 2.94 2.29	523002T00000G
25	TO-220, Vertical Mount With Black Tabs	1.00 x .50 x 1.18 (25.40 x 12.70 x 29.97)	13.0	HS194-ND◆	.50 .40 .30	563002B00000G
	TO-220, Vertical Mount With Black Tabs	1.00 x .50 x .95 (25.40 x 12.70 x 24.13)	16.6	HS207-ND◆	.64 .50 .38	576602B00000G
26	TO-220, Vertical Mount With Pre-Tinned Tabs, Black	1.00 x .50 x .95 (25.40 x 12.70 x 24.13)	16.6	HS363-ND◆	4.44 4.00 3.11	576602T00000G
	TO-220, Power Cooler, 9.0W, Screw Mount, Gold	1.50 x 1.375 x 1.00 (38.10 x 34.93 x 25.40)	13.4	HS282-ND	1.32 1.19 .93	531002C00000
27	TO-220, Power Cooler, With Pins, Heavy Duty, Black	1.38 x .50 x 1.00 (35.05 x 12.70 x 25.40)	13.4	HS351-ND◆	1.30 1.17 .91	531002B02500G
	TO-220, Power Cooler, 9.0W, Black	1.38 x .50 x 1.50 (35.05 x 12.70 x 38.10)	10.4	HS284-ND◆	1.27 1.14 .89	531102B00000G
28	TO-220, Power Cooler, With Pins, Heavy Duty, Black	1.38 x .50 x 1.50 (35.05 x 12.70 x 38.10)	10.4	HS352-ND◆	1.37 1.24 .97	531102B02500G
	TO-220, Power Cooler, 2-Sided Mount, Black	1.38 x .50 x 1.50 (35.05 x 12.70 x 38.10)	11.0	HS346-ND◆	1.15 1.04 .81	513102B02500G
29	TO-220, Power Cooler, With Pins, 2-Sided Mount, Black	1.65 x 1.00 x 1.50 (41.91 x 25.40 x 38.10)	3.7	HS350-ND◆	1.65 1.49 1.16	529802B02500G
	TO-220, Power Cooler, Black	1.38 x .50 x 1.00 (35.05 x 12.70 x 25.40)	13.4	HS231-ND◆	1.19 1.08 .84	531002B00000G
30	TO-220, Power Cooler, Screw Mount, Gold	1.38 x .50 x 1.50 (35.05 x 12.70 x 38.10)	10.4	HS131-ND	1.52 1.37 1.07	531102C00000
	TO-220, Power Cooler, With Pins	1.38 x .50 x 1.50 (35.05 x 12.70 x 38.10)	10.4	HS399-ND◆	1.81 1.63 1.27	531102V02500G
31	TO-220, Power Cooler, Screw Mount, Gold	1.38 x .50 x 2.00 (35.05 x 12.70 x 50.80)	8.3	HS132-ND	1.56 1.41 1.10	531202C00000
	TO-220, Power Cooler, With Pins, Gold	1.38 x .50 x 2.00 (35.05 x 12.70 x 50.80)	8.3	HS132-P-ND	1.94 1.75 1.36	531202C02500
32	TO-220, Power Cooler, 9.0W, Black	1.38 x .50 x 2.00 (35.05 x 12.70 x 50.80)	8.3	HS287-ND◆	1.43 1.29 1.01	531202B00000G
	TO-220, Power Cooler, With Pins, Black	1.38 x .50 x 2.00 (35.05 x 12.70 x 50.80)	8.3	HS382-ND◆	1.49 1.34 1.05	531202B02500G
33	TO-220, Vertical Power, 10W, Screw Mount, Black	1.65 x 1.00 x 1.50 (41.91 x 25.40 x 38.10)	2.5	HS276-ND◆	1.49 1.34 1.05	529802B00000
	TO-220, Power Cooler, With Pins, Black	1.65 x 1.00 x 2.00 (41.91 x 25.40 x 50.80)	3.4	HS374-ND◆	2.01 1.82 1.41	529902B02500G
34	TO-220, Power Cooler, With Pins, 9.0W, Black	1.38 x .50 x 2.00 (35.05 x 12.70 x 63.50)	8.0	HS386-ND◆	1.54 1.39 1.08	531302B02500G
	TO-220, Power Cooler, Screw Mount, Gold	1.38 x .50 x 2.50 (35.05 x 12.70 x 63.50)	8.0	HS133-ND	1.86 1.68 1.31	531302C00000
35	TO-220, Power Cooler, With Pins, Gold	1.38 x .50 x 2.50 (35.05 x 12.70 x 63.50)	8.0	HS133-P-ND	1.73 1.56 1.22	531302C02500
	TO-220, Power Cooler, With Pins, Black	1.65 x 1.00 x 2.50 (41.91 x 25.40 x 63.50)	3.8	HS380-ND◆	1.88 1.69 1.32	530002B02500G
36	TO-218, Power Cooler, With Pins, 10W, Black	1.38 x .50 x 2.00 (35.05 x 12.70 x 50.80)	8.3	HS347-ND◆	1.35 1.22 .95	513201B02500G

\* Dielectric Coating Unless otherwise noted, all heat sinks are black anodized aluminum. ◆ RoHS Compliant (Continued)