

TOSHIBA RF Wireless Evaluation Kit



The Evaluation kits allow for a detailed evaluation of the Transceivers and Receiver. They enable testing of the device's RF performance and require no additional support circuitry. The RF input uses a 50Ω matching network and an SMA connector for convenient connection to test equipment. The EV kit can also directly interface to the user's embedded design for easy data decoding. For easy implementation into the customer's design, the kits also feature a proven PC board layout, which can be easily duplicated for quicker time to market.

TA31275EVKIT Contents: • 1 TA31275M receiver module • 1 TA32305M transceiver module • 2 Antennas • CD ROM with all design and application documentation
TA32305EVKIT Contents: • 2 TA32305M transceiver modules • 2 Antennas • CD ROM with all design and application documentation

Frequency	Digi-Key Part No.	Price Each	Toshiba Part No.
315MHz	TA31275EVKIT-315-ND	169.95	TA31275EVKIT-315
433MHz	TA31275EVKIT-433-ND	169.95	TA31275EVKIT-433
315MHz	TA32305EVKIT-315-ND	198.95	TA32305EVKIT-315
433MHz	TA32305EVKIT-433-ND	198.95	TA32305EVKIT-433

Transceivers and Receiver

Function	Frequency	Supply Voltage (V)	Package	Digi-Key Part No.	Cut Tape Pricing		Digi-Key Part No.	T & R Pricing 2,000	Toshiba Part No.
					1	10			
Transceiver	240 – 450MHz	2.7 – 3.3 2.2 – 5.5	36-QON 30-SSOP	TB32301AFLCT-ND	5.06	40.50	TB32301AFLTR-ND	2868.75/M	TB32301AFL
				TA32305FNGCT-ND	3.87	30.96	TA32305FNGTR-ND	2193.00/M	TA32305FNG
Receiver	100 – 450MHz	2.4 – 5.5	24-SSOP	TA31275FNGCT-ND	2.48	19.80	TA31275FNGTR-ND	1287.00/M	TA31275FNG

◆ RoHS Compliant

B

TriQuint SEMICONDUCTOR RF Amplifiers, SAW Filters and RF Components

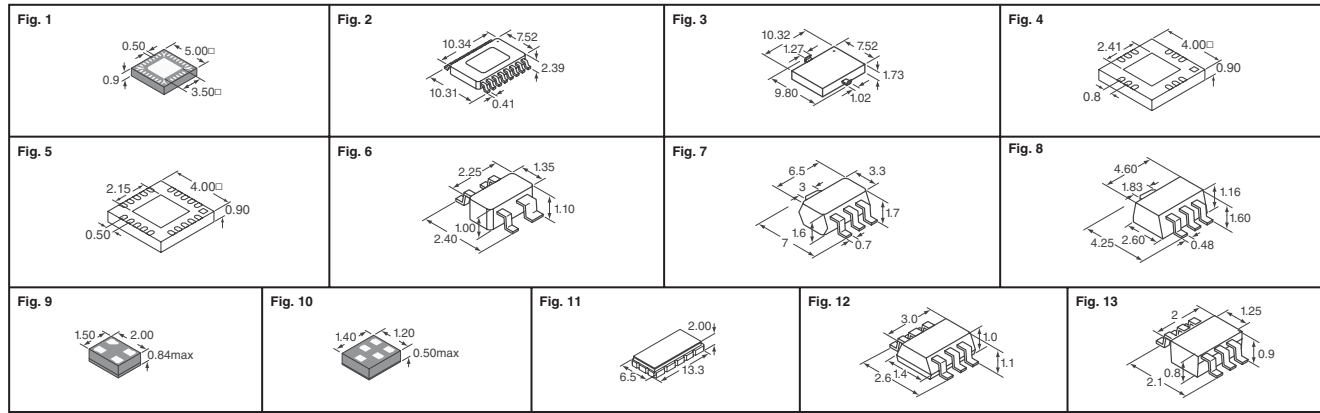


Fig.	Frequency Range (GHz)	P1dB/OIP3 (dBm)†	Gain (dB)	Voltage/Current (V/mA)	Description	Package Type	Digi-Key Part No.	Cut Tape Price Each			Digi-Key Part No.	Tape and Reel		TriQuint Part No.
								1	25	100		Qty.	Pricing	
Amplifiers up to 1W														
1	2.3 – 2.8 3.3 – 3.8	30 / 40	28	6 / 710	WiMAX Driver Amp., SB§	28-QFN	779-1000-ND	10.63	7.06	5.32	—	—	—	TGA2702-SM
		30 / 42	24	6 / 770	WiMAX Driver Amp.	28-QFN	779-1001-ND	10.63	7.06	5.32	—	—	—	TGA2703-SM
Amplifiers 1W ~ 4W														
2	0.04 – 1.0	31.5 / 55	12	12 / 510	CATV Ultra Linear HPA	16-SOIC	779-1011-1-ND	32.62	29.13	26.22	779-1011-2-ND	1,000	16299.98	TGA2801D-SG-T/R
Amplifiers 4W and up														
3	3.5	37.5 / 49	11	8 / 750	5W HPA, HFET	2-SMD	779-1013-1-ND	37.10	33.13	29.82	779-1013-2-ND	500	7950.00	TGA2925-SG-T/R
Amplifiers - Gain Block														
4	11.0 – 17.0	17 / —	23	6 / 75	Driver Amp., SB§	12-QFN	779-1010-1-ND	34.72	31.00	27.90	779-1010-2-ND	500	7564.00	TGA2507-SM-T/R
5	0.04 – 1.0	27 / 46	20	8 / 350	CATV TIA/Gain Block, SB§	20-QFN	779-1012-1-ND	30.46	27.20	24.48	779-1012-2-ND	1,000	13056.00	TGA2803-SM-T/R
Low Noise Amplifiers														
5	2.0 – 20	16 / —	17	5 / 75	LNA / AGC‡	12-QFN	779-1002-ND	110.50	73.38	55.25	—	—	—	TGA2513-SM
6	Up to 4.0	— / 13	17	3 / 30	LNA / Discrete	SC70-4	779-1006-1-ND	1.79	1.60	1.44	779-1006-2-ND	2,500	840.00/M	CFH800
Discrete Transistors														
7	DC – 2.5	26.5 / —	11	2.7 – 6 / 350	MESFET	SOT-223	779-1007-1-ND	5.60	5.00	4.50	779-1007-2-ND	1,000	3040.00	CLY5
8	DC – 5 DC – 4	27 / 40 30 / 44	19 18	8 / 100 8 / 200	0.5W HFET 1W HFET	SOT-89 SOT-89	779-1014-1-ND	10.36	9.25	8.33	779-1014-2-ND	500	2220.00	TGF2960-SD-T/R
							779-1015-1-ND	12.18	10.88	9.79	779-1015-2-ND	500	2610.00	TGF2961-SD-T/R

† Value is IIP3 for LNA Product ‡ Automatic Gain Control § Self Biased

Fig.	Frequency (MHz)	Bandwidth (MHz)	Typical Insertion Loss	I/O Configuration	Description	Package Type	Digi-Key Part No.	Cut Tape Price Each			Digi-Key Part No.	Tape and Reel		TriQuint Part No.
								1	100	500		Qty.	Pricing	
SAW Filters														
9	915 1575.42	26	2.3	SE/SE	ISM 915MHz Band RF Filter	4-CSP	779-1003-1-ND	10.92	7.90	4.95	779-1003-2-ND	10,000	1090.00/M	856327
		2	1.25	SE/SE	GPS RF Filter	4-CSP	779-1005-1-ND	.97	.66	.56	779-1005-2-ND	10,000	300.00/M	856584
10	2441	83.5	2	SE/SE	Bluetooth RF Filter	5-CSP	779-1004-1-ND	4.76	2.86	1.43	779-1004-2-ND	10,000	490.00/M	856539
11	70 70 70 70 140	3.5	7.25	SE/SE	Low Loss IF Filter	SMP-53	779-1016-1-ND	39.64	28.32	20.23	779-1016-2-ND	2,000	14772.00/M	854657
		7	8.5	SE/SE	Low Loss IF Filter	SMP-53	779-1017-1-ND	19.00	15.60	11.94	779-1017-2-ND	2,000	7999.97/M	854662
		14	12.5	SE/SE	Low Loss IF Filter	SMP-53	779-1018-1-ND	39.64	28.32	20.23	779-1018-2-ND	2,000	14772.00/M	854667
		28	17.6	SE/SE	Low Loss IF Filter	SMP-53	779-1019-1-ND	39.64	28.32	20.23	779-1019-2-ND	2,000	14772.00/M	854674
		140	6.85	SE/SE	Low Loss IF Filter	SMP-53	779-1020-1-ND	39.64	28.32	20.23	779-1020-2-ND	2,000	14772.00/M	854913
		140	16	8.4	SE/SE	Low Loss IF Filter	SMP-53	779-1021-1-ND	39.64	28.32	20.23	779-1021-2-ND	2,000	14772.00/M
140	32	11.5	SE/SE	Low Loss IF Filter	SMP-53	779-1022-1-ND	39.64	28.32	20.23	779-1022-2-ND	2,000	14772.00/M	854927	

(Continued)

Digi-Reel® Most SMT cutdown parts are available on a Digi-Reel®. For Digi-Reel part number, change 1-ND to 6-ND or CT-ND to DKR-ND. See Digi-Key® Services on page 2 for additional information.

More Product Available Online: www.digkey.com

Toll-Free: 1-800-344-4539 • Phone 218-681-6674 • Fax: 218-681-3380

(T091) 581