

B

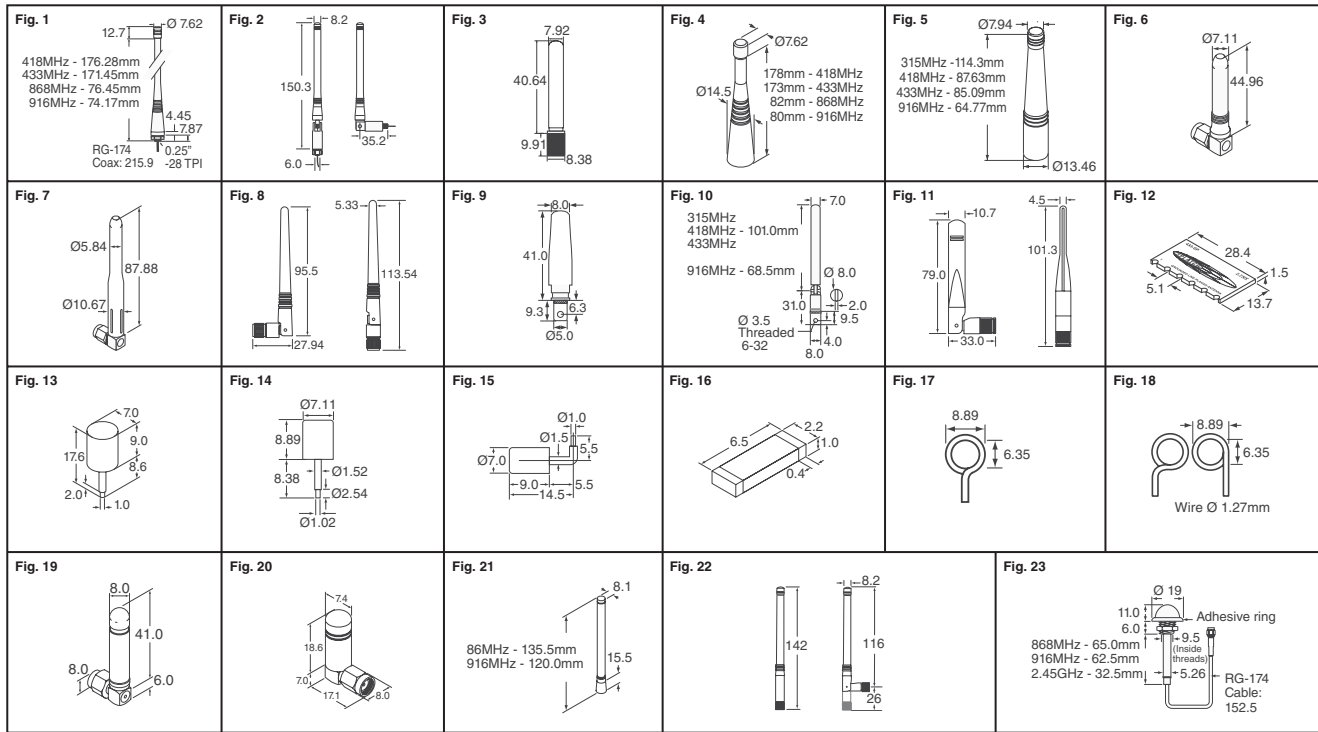


Fig.	Description	Frequency (MHz)	Digi- Key Part No.	1	25	100	Antenna Factor Part No.
1	Permanent Mount 1/4 Wave Whip	418	ANT-418-PW-QW-ND	6.83	6.24	5.07	ANT-418-PW-QW
		433	ANT-433-PW-QW-ND	6.70	6.13	4.97	ANT-433-PW-QW
		868	ANT-868-PW-QW-ND	6.56	6.00	4.84	ANT-868-PW-QW
		916	ANT-916-PW-QW-ND	6.44	5.89	4.79	ANT-916-PW-QW
		868	ANT-868-PML-ND	7.61	6.96	5.50	ANT-868-PML
2	1/2 Wave Whip with RG-178 Cable	916	ANT-916-PML-ND	7.61	6.96	5.66	ANT-916-PML
		315	ANT-315-CW-RH-ND	6.32	5.78	4.36	ANT-315-CW-RH
3	Reduced Height 1/4 Wave Whip	418	ANT-418-CW-RH-ND	6.32	5.78	4.36	ANT-418-CW-RH
		433	ANT-433-CW-RH-ND	6.32	5.78	4.36	ANT-433-CW-RH
		868	ANT-868-CW-RH-ND	6.32	5.78	4.36	ANT-868-CW-RH
		916	ANT-916-CW-RH-ND	6.32	5.78	4.36	ANT-916-CW-RH
		2.45GHz	ANT-2.4-CW-RH-ND	4.74	4.34	3.64	ANT-2.4-CW-RH-RPS
4	RP-SMA 1/4 Wave Whip	418	ANT-418-CW-QW-ND	7.88	7.20	5.74	ANT-418-CW-QW
		433	ANT-433-CW-QW-ND	7.70	7.04	5.61	ANT-433-CW-QW
		868	ANT-868-CW-QW-ND	7.53	6.88	5.48	ANT-868-CW-QW
		916	ANT-916-CW-QW-ND	7.35	6.72	5.36	ANT-916-CW-QW
		315	ANT-315-CW-HD-ND	7.61	6.96	5.50	ANT-315-CW-HD
5	RP-SMA Reduced Height 1/4 Wave Whip	418	ANT-418-CW-HD-ND	7.61	6.96	5.50	ANT-418-CW-HD
		433	ANT-433-CW-HD-ND	7.61	6.96	5.50	ANT-433-CW-HD
		916	ANT-916-CW-HD-ND	7.61	6.96	5.50	ANT-916-CW-HD
6	1/4 Wave Whip Right Angle	315	ANT-315-CW-RCS-ND	6.46	5.91	4.99	ANT-315-CW-RCS
		916	ANT-916-CW-RCS-ND	6.46	5.91	5.25	ANT-916-CW-RCS
7	1/2 Wave Whip RP-SMA	2.4GHz	ANT-2.4-CW-RCS-ND	6.46	5.91	5.25	ANT-2.4-CW-RCS
		916	ANT-916-CW-RCL-ND	7.04	6.44	5.50	ANT-916-CW-RCL
8	1/2 Wave Whip RP-SMA	2.4GHz	ANT-2.4-CW-RCL-ND	7.04	6.44	5.50	ANT-2.4-CW-RCL
		2.4GHz	ANT-2.4-CW-RCT-RP-ND	8.47	7.75	6.50	ANT-2.4-CW-RCT-RP
9	Permanent Mount Reduced Height 1/4 Wave Whip	315	ANT-315-PW-LP-ND	2.03	1.86	1.79	ANT-315-PW-LP
		418	ANT-418-PW-LP-ND	2.03	1.86	1.79	ANT-418-PW-LP
		433	ANT-433-PW-LP-ND	2.03	1.86	1.79	ANT-433-PW-LP
		868	ANT-868-PW-LP-ND	2.03	1.86	1.79	ANT-868-PW-LP
		916	ANT-916-PW-LP-ND	2.03	1.86	1.79	ANT-916-PW-LP
10	Permanent Mount Swivel Angle 1/4 Wave Whip	315	ANT-315-PW-RA-ND	3.45	3.11	2.89	ANT-315-PW-RA
		418	ANT-418-PW-RA-ND	3.45	3.11	2.89	ANT-418-PW-RA
		433	ANT-433-PW-RA-ND	3.45	3.11	2.89	ANT-433-PW-RA
		868	ANT-868-PW-RA-ND	3.45	3.11	2.89	ANT-868-PW-RA
		916	ANT-916-PW-RA-ND	3.45	3.11	2.89	ANT-916-PW-RA
11	1/2 Wave Swivel RP-SMA	2.45/5.8GHz	ANT-DB1-RAF-RPS-ND	10.28	9.00	7.87	ANT-DB1-RAF-RPS
		315	ANT-315-SP-ND	2.08	1.82	1.75	ANT-315-SP
		418	ANT-418-SP-ND	2.08	1.82	1.75	ANT-418-SP
		433	ANT-433-SP-ND	2.08	1.82	1.75	ANT-433-SP
		868	ANT-868-SP-ND	2.08	1.82	1.75	ANT-868-SP
12	Planar Antenna (SMT)	916	ANT-916-SP-ND	2.08	1.82	1.75	ANT-916-SP
		868	ANT-868-JJB-ST-ND	1.72	1.57	1.35	ANT-868-JJB-ST
		916	ANT-916-JJB-ST-ND	1.96	1.72	1.50	ANT-916-JJB-ST
		2.45GHz	ANT-2.4-JJB-ST-ND	1.72	1.57	1.50	ANT-2.4-JJB-ST
		868	ANT-868-JJB-RA-ND	1.72	1.57	1.35	ANT-868-JJB-RA
13	1/4 Wave, JJB Permanent Ultra-Miniature, Straight	916	ANT-916-JJB-RA-ND	1.96	1.72	1.50	ANT-916-JJB-RA
		2.45GHz	ANT-2.4-JJB-RA-ND	1.72	1.57	1.50	ANT-2.4-JJB-RA
		868	ANT-868-CHPCT-ND	4.97	4.55	3.90	ANT-868-CHP-T
		916	ANT-916-CHPCT-ND	4.97	4.55	3.90	ANT-916-CHP-T
14	JJB Permanent Ultra-Miniature, Right Angle	868	ANT-868-CHPCT-ND	4.97	4.55	3.90	ANT-868-CHP-T
		916	ANT-916-CHPCT-ND	4.97	4.55	3.90	ANT-916-CHP-T
		2.45GHz	ANT-2.4-CHPCT-ND	4.97	4.55	3.90	ANT-2.4-CHP-T
15	Ultra-Compact Chip Antenna	868	ANT-868-CHPCT-ND	4.97	4.55	3.90	ANT-868-CHP-T
		916	ANT-916-CHPCT-ND	4.97	4.55	3.90	ANT-916-CHP-T
		2.45GHz	ANT-2.4-CHPCT-ND	4.97	4.55	3.90	ANT-2.4-CHP-T
		916	ANT-916-CHPCT-ND	4.97	4.55	3.90	ANT-916-CHP-T

◆ RoHS Compliant * Cut Tape † Tape and Reel

(Continued)

Digi-Reel® Most SMT cutdown parts are available on a Digi-Reel®. For Digi-Reel part number, change 1-ND to 6-ND or CT-ND to DKR-ND. See Digi-Key® Services on page 2 for additional information.

More Product Available Online: www.digikey.com

Toll-Free: 1-800-344-4539 • Phone 218-681-6674 • Fax: 218-681-3380

(T091) 553