



Fig.	Description	Dim. A (mm)	Digi-Key Part No.	Price Each				Linx Part No.
				1	25	100	200	
9	SMA Female Card Edge Mount Conn for 0.031" (.79mm) Thick Board - Extended SMA Female Card Edge Mount Conn for 0.062" (1.57mm) Thick Board - Extended	—	CONSMSA003.031-L-ND	5.78	5.28	4.53	4.13	CONSMSA003.031-L
			CONSMSA003.062-L-ND	5.78	5.28	4.53	4.13	CONSMSA003.062-L
10	RP-SMA Front Mount Bulkhead Receptacle	—	CONREVSMA004-ND	3.22	2.95	2.53	2.30	CONREVSMA004
—	RP-SMA Bulkhead Crimp Jack-Captive Contact with 8.5" (215.90mm) Cable	—	CONREVSMA005C08.5-ND	6.83	6.24	5.35	4.88	CONREVSMA005-C08.5
11	RP-SMA Female Bulkhead Mount Cable End Crimp for RG-174 Cable SMA Female Bulkhead Mount Cable End Crimp for RG-58 Cable SMA Female Bulkhead Mount Cable End Crimp for RG-174 Cable SMA Female Bulkhead Mount Cable End Crimp for RG-178 Cable	9.5	CONREVSMA005-ND	4.46	4.08	3.50	3.19	CONREVSMA005
		12.7	CONSMSA005-R58-ND	3.12	2.85	2.44	2.23	CONSMSA005-R58
		9.5	CONSMSA005-ND	4.67	4.28	3.66	3.34	CONSMSA005
		6.0	CONSMSA005-R178-ND	4.67	4.28	3.66	3.34	CONSMSA005-R178
12	RP-SMA Female Edge Multi-Mount for 0.062" (1.57mm) Thick Board SMA Female Edge Multi-Mount for 0.031" (.79mm) Thick Board SMA Female Edge Multi-Mount for 0.062" (1.57mm) Thick Board	1.63	CONREVSMA006.062-ND	4.20	3.84	3.29	3.00	CONREVSMA006.062
		0.94	CONSMSA006.031-ND	5.20	4.76	4.07	3.72	CONSMSA006.031
		1.70	CONSMSA006.062-ND	5.20	4.76	4.07	3.72	CONSMSA006.062
13	RP-SMA Male Cable End Crimp for RG-174 Cable SMA Male Cable End Crimp for RG-58 Cable SMA Male Cable End Crimp for RG-174 Cable SMA Male Cable End Crimp for RG-178 Cable	16.80	CONREVSMA007-ND	3.12	2.85	2.44	2.23	CONREVSMA007
		16.65	CONSMSA007-R58-ND	2.31	2.12	1.81	1.65	CONSMSA007-R58
		14.65	CONSMSA007-ND	2.31	2.12	1.81	1.65	CONSMSA007
		14.65	CONSMSA007-R178-ND	2.31	2.12	1.81	1.65	CONSMSA007-R178
14	RP-SMA Female PCB Mount - Extended SMA Female PCB Mount - Extended	—	CONREVSMA008-ND	3.69	3.38	2.90	2.64	CONREVSMA008
		—	CONSMSA008-ND	3.78	3.46	2.96	2.70	CONSMSA008
15	RP-SMA Female Right Angle Edge Multi-Mount for 0.062" (1.57mm) Thick Board	—	CONREVSMA009-ND	5.20	4.76	4.07	3.72	CONREVSMA009
16	RP-SMA Male to RP-SMA Female Right Angle Adapter SMA Male to SMA Female Right Angle Adapter	—	CONREVSMA010-ND	6.20	5.58	3.40	3.10	CONREVSMA010
		—	CONSMSA010-ND	5.20	4.76	4.07	3.72	CONSMSA010
17	RP-SMA Female Cable End Crimp for RG-174 Cable SMA Female Cable End Crimp for RG-58 Cable SMA Female Cable End Crimp for RG-174 Cable SMA Female Cable End Crimp for RG-178 Cable	5.0	CONREVSMA011-ND	2.36	2.16	1.85	1.69	CONREVSMA011
		7.0	CONSMSA011-R58-ND	2.77	2.53	2.17	1.98	CONSMSA011-R58
		5.0	CONSMSA011-ND	2.77	2.53	2.17	1.98	CONSMSA011
		5.0	CONSMSA011-R178-ND	2.77	2.53	2.17	1.98	CONSMSA011-R178
18	RP-SMA Male Right Angle Cable End Crimp for RG-174 Cable SMA Male Right Angle Cable End for RG-58 Cable SMA Male Right Angle Cable End for RG-174 Cable SMA Male Right Angle Cable End for RG-178 Cable	5.0	CONREVSMA012-ND	6.68	6.01	3.66	3.34	CONREVSMA012
		7.0	CONSMSA012-R58-ND	3.36	3.08	2.64	2.40	CONSMSA012-R58
		5.0	CONSMSA012-ND	3.36	3.08	2.64	2.40	CONSMSA012
		5.0	CONSMSA012-R178-ND	3.36	3.08	2.64	2.40	CONSMSA012-R178
19	RP-SMA Male Edge Mount for 0.031" (.79mm) Thick Board RP-SMA Male Edge Mount for 0.062" (1.57mm) Thick Board SMA Male Edge Mount for 0.031" (.79mm) Thick Board SMA Male Edge Mount for 0.062" (1.57mm) Thick Board	0.94	CONREVSMA013.031-ND	7.54	6.90	5.91	5.39	CONREVSMA013.031
		1.73	CONSMSA013.062-ND	7.54	6.90	5.91	5.39	CONSMSA013.062
		0.94	CONSMSA013.031-ND	4.94	4.52	3.87	3.53	CONSMSA013.031
		1.73	CONSMSA013.062-ND	4.94	4.52	3.87	3.53	CONSMSA013.062
20	RP-SMA Female Bulkhead Rear Mount Cable End Crimp with O-Ring for RG-174 Cable SMA Female Bulkhead Rear Mount Cable End Crimp with O-Ring for RG-174 Cable	—	CONREVSMA014-ND	4.04	3.70	3.17	2.89	CONREVSMA014
		—	CONSMSA014-ND	4.67	4.28	3.66	3.34	CONSMSA014
21	RP-SMA Female Bulkhead Mount Cable End Crimp with O-Ring for RG-58 Cable RP-SMA Female Bulkhead Mount Cable End Crimp with O-Ring for RG-178 Cable SMA Female Bulkhead Mount Cable End Crimp with O-Ring for RG-58 Cable SMA Female Bulkhead Mount Cable End Crimp with O-Ring for RG-178 Cable	—	CONREVSMA014-R58-ND	4.04	3.70	3.17	2.89	CONREVSMA014-R58
		—	CONREVSMA014-R178-ND	4.04	3.70	3.17	2.89	CONREVSMA014-R178
		—	CONSMSA014-R58-ND	4.17	3.81	3.27	2.98	CONSMSA014-R58
		—	CONSMSA014-R178-ND	4.67	4.28	3.66	3.34	CONSMSA014-R178
22	RP-SMA Female Bulkhead Front Mount Cable End Crimp with O-Ring for RG-174 Cable SMA Female Bulkhead Front Mount Cable End Crimp with O-Ring for RG-174 Cable	—	CONREVSMA015-ND	4.73	4.32	3.70	3.38	CONREVSMA015
		—	CONSMSA015-ND	5.44	4.98	4.27	3.89	CONSMSA015
23	MCX Female PCB Mount	—	CONMCX001-ND	3.03	2.77	2.38	2.17	CONMCX001
24	MCX Female PCB Surface Mount	—	CONMCX001-SMD-ND	3.40	3.11	2.66	2.43	CONMCX001-SMD
25	MCX Female Right Angle PCB Mount	—	CONMCX002-ND	3.69	3.38	2.90	2.64	CONMCX002
26	MCX Female Right Angle PCB Surface Mount	—	CONMCX002-SMD-ND	4.17	3.81	3.27	2.98	CONMCX002-SMD
—	MCX Female Edge Mount for 0.031" (.79mm) Thick Board MCX Female Edge Mount for 0.062" (1.57mm) Thick Board MCX Female Edge Mount for 0.031" (.79mm) Thick Board - Extended MCX Female Edge Mount for 0.062" (1.57mm) Thick Board - Extended MCX Female Bulkhead Front Mount with Solder Pot	—	CONMCX003.031-ND	3.64	3.33	2.85	2.60	CONMCX003.031
		—	CONMCX003.062-ND	3.64	3.33	2.85	2.60	CONMCX003.062
		—	CONMCX003.031-L-ND	4.62	4.23	3.62	3.30	CONMCX003.031-L
		—	CONMCX003.062-L-ND	4.62	4.23	3.62	3.30	CONMCX003.062-L
		—	CONMCX004-ND	4.62	4.23	3.62	3.30	CONMCX004
27	MCX Female Bulkhead Mount Cable End Crimp for RF-174 Cable MCX Female Bulkhead Mount Cable End Crimp for RF-178 Cable	—	CONMCX005-ND	4.17	3.81	3.27	2.98	CONMCX005
		—	CONMCX005-R178-ND	4.17	3.81	3.27	2.98	CONMCX005-R178
28	MCX Male Cable End Crimp for RG-174 Cable MCX Male Cable End Crimp for RG-178 Cable	2.60	CONMCX007-ND	3.24	2.96	2.54	2.32	CONMCX007
		2.70	CONMCX007-R178-ND	3.24	2.96	2.54	2.32	CONMCX007-R178
29	MCX Female Cable End Crimp for RG-174 Cable MCX Female Cable End Crimp for RG-178 Cable	2.60	CONMCX011-ND	3.02	2.77	2.37	2.16	CONMCX011
		2.00	CONMCX011-R178-ND	3.03	2.77	2.38	2.17	CONMCX011-R178
30	MCX Male Right Angle Cable End for RG-174 Cable MCX Male Right Angle Cable End for RG-178 Cable	2.60	CONMCX012-ND	3.48	3.19	2.73	2.49	CONMCX012
		2.00	CONMCX012-R178-ND	3.48	3.19	2.73	2.49	CONMCX012-R178
23	RP-MCX Female PCB Mount	—	CONREVMCX001-ND	2.61	2.39	2.05	1.87	CONREVMCX001
24	RP-MCX Female PCB Mount Surface Mount	—	CONREVMCX001-SMD-ND	3.20	2.93	2.51	2.29	CONREVMCX001-SMD
25	RP-MCX Female Right Angle PCB Mount - Extended	—	CONREVMCX002-L-ND	4.04	3.70	3.17	2.89	CONREVMCX002-L
26	RP-MCX Female Right Angle Surface Mount	—	CONREVMCX002-SMD-ND	3.94	3.60	3.09	2.82	CONREVMCX002-SMD
—	RP-MCX Female Edge Mount for 0.062" Thick Boards RP-MCX Female Edge Mount for 0.062" Thick Boards - Extended	—	CONREVMCX003.062-ND	2.89	2.64	2.27	2.07	CONREVMCX003.062
		—	CONREVMCX003.062-L-ND	3.47	3.17	2.72	2.48	CONREVMCX003.062-L
27	RP-MCX Female Bulkhead Mount Cable End Crimp for RG174 Cable RP-MCX Female Bulkhead Mount Cable End Crimp for RG178 Cable	—	CONREVMCX005-ND	2.89	2.64	2.27	2.07	CONREVMCX005
		—	CONREVMCX005-R178-ND	2.89	2.64	2.27	2.07	CONREVMCX005-R178
28	RP-MCX Male Cable End Crimp for RG174 Cable RP-MCX Male Cable End Crimp for RG178 Cable	2.60	CONREVMCX007-ND	3.12	2.85	2.44	2.23	CONREVMCX007
		2.70	CONREVMCX007-R178-ND	3.12	2.85	2.44	2.23	CONREVMCX007-R178
29	RP-MCX Female Cable End Crimp for RG174 Cable RP-MCX Female Cable End Crimp for RG178 Cable	2.60	CONREVMCX011-ND	4.17	3.81	3.27	2.98	CONREVMCX011
		2.00	CONREVMCX011-R178-ND	4.17	3.81	3.27	2.98	CONREVMCX011-R178
30	RP-MCX Male Right Angle Cable End Crimp for RG174 Cable RP-MCX Male Right Angle Cable End Crimp for RG178 Cable	2.60	CONREVMCX012-ND	4.17	3.81	3.27	2.98	CONREVMCX012
		2.00	CONREVMCX012-R178-ND	4.17	3.81	3.27	2.98	CONREVMCX012-R178
31	MMCX Female PCB Mount	—	CONMMCX001-ND	3.03	2.77	2.38	2.17	CONMMCX001
—	MMCX Female Surface Mount MMCX Female Right Angle PCB Mount MMCX Female Right Angle Surface Mount	—	CONMMCX001-SMD-ND	3.40	3.11	2.66	2.43	CONMMCX001-SMD
		—	CONMMCX002-ND	3.48	3.19	2.73	2.49	CONMMCX002
		—	CONMMCX002-SMD-ND	3.92	3.59	3.07	2.80	CONMMCX002-SMD
32	MMCX Male Cable End Crimp for RG174 Cable MMCX Male Cable End Crimp for RG178 Cable	—	CONMMCX007-ND	2.56	2.34	2.01	1.83	CONMMCX007
		—	CONMMCX007-R178-ND	2.56	2.34	2.01	1.83	CONMMCX007-R178
33	MMCX Female Cable End Crimp for RG174 Cable MMCX Female Cable End Crimp for RG178 Cable	—	CONMMCX011-ND	3.24	2.96	2.54	2.32	CONMMCX011
		—	CONMMCX011-R178-ND	3.24	2.96	2.54	2.32	CONMMCX011-R178
34	MMCX Male Right Angle Cable End Crimp for RG174 Cable MMCX Male Right Angle Cable End Crimp for RG178 Cable	—	CONMMCX012-ND	3.69	3.38	2.90	2.64	CONMMCX012
		—	CONMMCX012-R178-ND	3.69	3.38	2.90	2.64	CONMMCX012-R178
35	SMA Male to RP-SMA Female Adapter	—	ADP-SMAM-RPSF-ND	6.32	5.78	4.95	—	ADP-SMAM-RPSF
36	SMA Female to SMA Female Adapter	—	ADP-SMAF-SMAF-ND	4.73	4.32	3.70	3.38	ADP-SMAF-SMAF
37	SMA Male to SMA Male Adapter	—	ADP-SMAM-SMAM-ND	5.09	4.66	3.99	3.64	ADP-SMAM-SMAM
—	Crimper Kit for RG58/59/62 Crimper Kit for RG58/59/62, RG174/179 Crimper Kit for RG58/59/62, RG174/179 and RG178 Die	—	CTK-58-01-ND	119.00	—	—	—	CTK-58-01
		—	CTK-174-01-ND	124.00	—	—	—	CTK-174-01
		—	CTK-174-02-ND	124.00	—	—	—	CTK-174-02

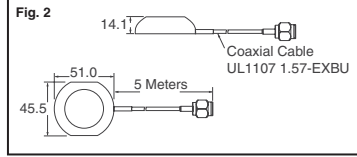
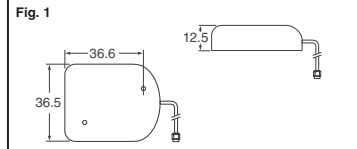
More Product Available Online: www.digikey.com

Toll-Free: 1-800-344-4539 • Phone 218-681-6674 • Fax: 218-681-3380

SH Series: The SH Series antennas combine superior performance, advanced operational and protection features and low power consumption. This makes them ideal for telematics, fleet management, navigation, tracking and other applications that require a compact, high performance GPS antenna.

UC Series: The UC Series offers outstanding value in a compact form factor. A wide operating voltage, temperature range and compact housing with dual mounting options suit the UC to a wide variety of cost-sensitive applications.

Fig.	Description	Frequency (MHz)	Digi-Key Part No.	Price Each			Antenna Factor Part No.
				1	25	100	
1	Compact GPS Antenna with SMA	1575.42	ANT-GPS-SH-SMA-ND	25.81	23.60	20.21	ANT-GPS-SH-SMA
	Compact GPS Antenna with MCX	1575.42	ANT-GPS-SH-MCX-ND	25.81	23.60	20.21	ANT-GPS-SH-MCX
	Compact GPS Antenna with MMX	1575.42	ANT-GPS-SH-MMX-ND	25.81	23.60	20.21	ANT-GPS-SH-MMX
2	High Performance GPS with SMA	1575.42	ANT-GPS-UC-SMA-ND	30.19	27.60	24.32	ANT-GPS-UC-SMA
	Antenna Base for GPS RP-SMA	—	ANT-DB2-RMG-RP-RP-SM-ND	39.08	35.73	29.95	ANT-DB2-RMG-RP-RP-SM
—	Antenna Base for GPS SMA	—	ANT-DB2-RMG-SM-RP-SM-ND	39.08	35.73	29.95	ANT-DB2-RMG-SM-RP-SM



Magnetic Mount Antennas

Mag-1 Magnetic Bases:

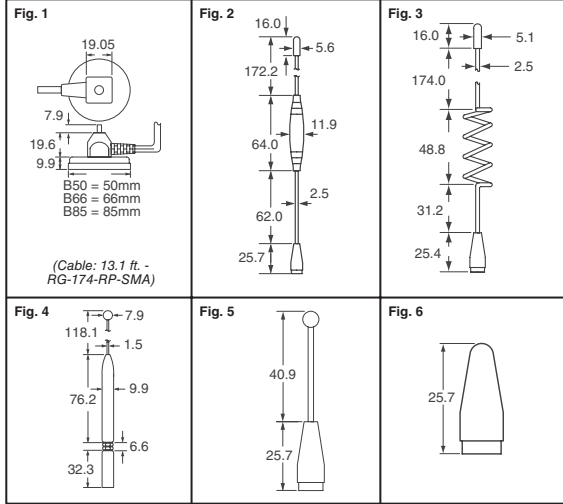
Dimensions in mm

Available in three base diameters, each MAG-1 Series base features a powerful magnet for reliable mounting on metal surfaces. They also feature a soft, rubber protective cover to help protect painted surfaces, such as those on automobiles. The base accepts a diverse range of antenna element styles and frequencies.

Mag-1 Antenna Elements:

These cosmetically attractive elements are designed to fit MAG-1 Series bases. Ideal for mobile and cellular systems, they are available in a range of styles and center frequencies and are intended to offer outstanding performance and durability even in harsh environments.

Fig.	Description	Frequency (MHz)	Digi-Key Part No.	Price Each			Antenna Factor Part No.
				1	25	100	
1	50mm MAG-1 Magnetic Base	—	ANT-MAG-B50-RPS-ND	5.78	5.28	4.40	ANT-MAG-B50-RPS
	66mm MAG-1 Magnetic Base	—	ANT-MAG-B66-RPS-ND	6.49	5.94	4.95	ANT-MAG-B66-RPS
	85mm MAG-1 Magnetic Base	—	ANT-MAG-B85-RPS-ND	7.23	6.61	5.50	ANT-MAG-B85-RPS
2	Dual-Band Whip-Element	916, 1.7 - 1.8GHz	ANT-ELE-S01-008-ND	3.41	3.12	2.90	ANT-ELE-S01-008
3	Whip-Element	916	ANT-ELE-S01-005-ND	2.92	2.56	2.25	ANT-ELE-S01-005
4	High Gain Whip-Element	916	ANT-ELE-S01-006-ND	3.52	3.08	2.70	ANT-ELE-S01-006
5	Short Whip-Element	916	ANT-ELE-S01-010-ND	2.86	2.51	2.22	ANT-ELE-S01-010
6	Stub Element	2.4GHz	ANT-ELE-S01-011-ND	2.82	2.47	2.20	ANT-ELE-S01-011



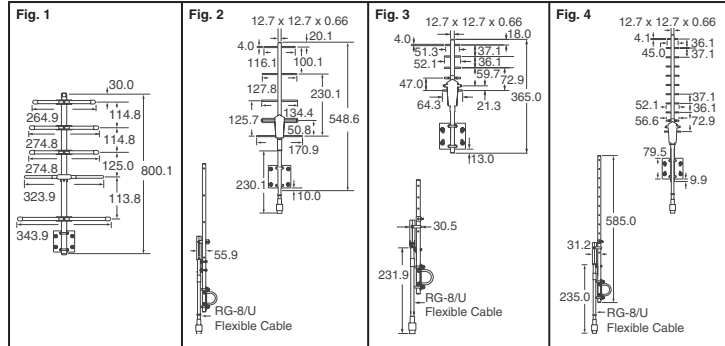
Yagi Antennas

Dimensions in mm

Antenna Factor offers Yagi antennas in models covering frequencies from 400 to 2.4GHz. The antennas are designed for long-distance directional communication and can greatly enhance the performance of RF links, such as WLAN and WIFI.

Made of stainless steel and featuring sturdy mast mounts, these rugged antennas are constructed to withstand the stress of long-term use. All antennas are designed for 50Ω system matches with maximum inputs of 100W.

Fig.	Description	Freq. (MHz)	Digi-Key Part No.	Price Each			Antenna Factor Part No.
				1	25	100	
1	418MHz 5-Element Yagi	418	ANT-418-YG5-N-ND	84.35	77.12	69.95	ANT-418-YG5-N
2	916MHz 5-Element Yagi	916	ANT-916-YG5-N-ND	84.35	77.12	69.95	ANT-916-YG5-N
3	2.4GHz 6-Element Yagi	2442	ANT-2.4-YG6-N-ND	84.35	77.12	69.95	ANT-2.4-YG6-N
4	2.4GHz 12-Element Yagi	2442	ANT-2.4-YG12-N-ND	120.23	109.92	89.96	ANT-2.4-YG12-N



Surface Mount Antennas

Dimensions in mm

MHW Series:

This antenna style provides a clever solution to the unique needs of difficult environments such as a vehicle. Designed to mount directly onto nonconductive interior surfaces such as wallboard, windows or a rear view mirror, these compact antennas are easily concealed, minimizing potential theft.

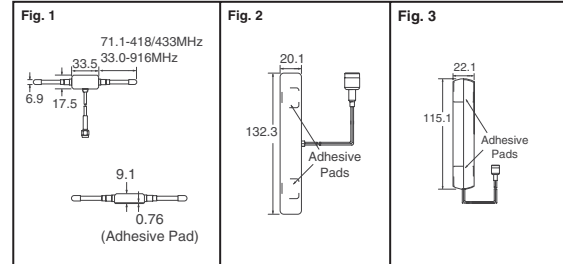
HDP Series:

A compact, center-fed antenna that achieves efficient operation at either or both of two frequency bands. Its durable, unobtrusive housing attaches permanently with integral adhesive to flat, nonconductive surfaces.

VDP Series:

Similar to the HDP Series but the cable enters from the bottom to facilitate vertical orientation. Also, this compact, center-fed antenna achieves efficient operation at any or all of three frequency bands. Attaches permanently with integral adhesive to flat nonconductive surfaces.

Fig.	Description	Frequency (MHz)	Digi-Key Part No.	Price Each			Antenna Factor Part No.
				1	25	100	
1	Compact Center-Fed Dipole	418	ANT-418-MHW-RPS-S-ND	9.94	8.70	7.94	ANT-418-MHW-RPS-S
		433	ANT-433-MHW-RPS-S-ND	9.94	8.70	7.94	ANT-433-MHW-RPS-S
		916	ANT-916-MHW-RPS-S-ND	9.94	8.70	7.94	ANT-916-MHW-RPS-S
2	Dual-Band Surface Mount	860 - 960, 1770 - 1880	ANT-DB1-HDP-RPS-ND	8.07	7.38	6.75	ANT-DB1-HDP-RPS
3	Tri-Band Surface Mount	860 - 960, 1770 - 1880, 2400	ANT-DB1-VDP-RPS-ND	9.68	8.47	7.44	ANT-DB1-VDP-RPS



More Product Available Online: www.digkey.com

Toll-Free: 1-800-344-4539 • Phone 218-681-6674 • Fax: 218-681-3380

B

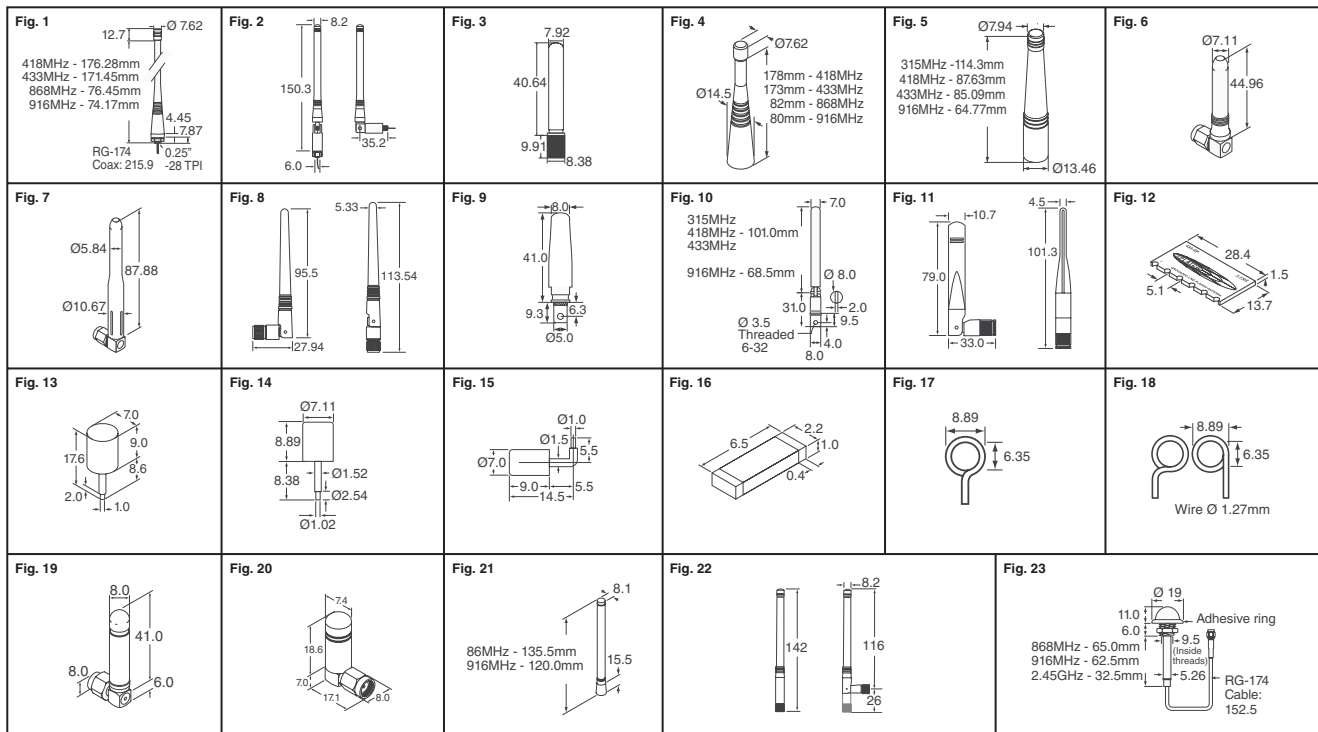


Fig.	Description	Frequency (MHz)	Digi- Key Part No.	1	25	100	Antenna Factor Part No.
1	Permanent Mount 1/4 Wave Whip	418	ANT-418-PW-QW-ND◆	6.83	6.24	5.07	ANT-418-PW-QW
		433	ANT-433-PW-QW-ND◆	6.70	6.13	4.97	ANT-433-PW-QW
		868	ANT-868-PW-QW-ND◆	6.56	6.00	4.84	ANT-868-PW-QW
		916	ANT-916-PW-QW-ND◆	6.44	5.89	4.79	ANT-916-PW-QW
2	1/2 Wave Whip with RG-178 Cable	868	ANT-868-PML-ND◆	7.61	6.96	5.50	ANT-868-PML
		916	ANT-916-PML-ND◆	7.61	6.96	5.66	ANT-916-PML
3	Reduced Height 1/4 Wave Whip	315	ANT-315-CW-RH-ND◆	6.32	5.78	4.36	ANT-315-CW-RH
		418	ANT-418-CW-RH-ND◆	6.32	5.78	4.36	ANT-418-CW-RH
		433	ANT-433-CW-RH-ND◆	6.32	5.78	4.36	ANT-433-CW-RH
		916	ANT-916-CW-RH-ND◆	6.32	5.78	4.36	ANT-916-CW-RH
		2.45GHz	ANT-2.4-CW-RH-ND◆	4.74	4.34	3.64	ANT-2.4-CW-RH-RPS
		2.45GHz	ANT-2.4-CW-RH-SMA-ND◆	4.74	4.34	3.64	ANT-2.4-CW-RH-SMA
4	RP-SMA 1/4 Wave Whip	418	ANT-418-CW-QW-ND◆	7.88	7.20	5.74	ANT-418-CW-QW
		433	ANT-433-CW-QW-ND◆	7.70	7.04	5.61	ANT-433-CW-QW
		868	ANT-868-CW-QW-ND◆	7.53	6.88	5.48	ANT-868-CW-QW
		916	ANT-916-CW-QW-ND◆	7.35	6.72	5.36	ANT-916-CW-QW
5	RP-SMA Reduced Height 1/4 Wave Whip	315	ANT-315-CW-HD-ND◆	7.61	6.96	5.50	ANT-315-CW-HD
		418	ANT-418-CW-HD-ND◆	7.61	6.96	5.50	ANT-418-CW-HD
		433	ANT-433-CW-HD-ND◆	7.61	6.96	5.50	ANT-433-CW-HD
		916	ANT-916-CW-HD-ND◆	7.61	6.96	5.50	ANT-916-CW-HD
6	1/4 Wave Whip Right Angle	315	ANT-315-CW-RCS-ND◆	6.46	5.91	4.99	ANT-315-CW-RCS
7	RP-SMA Right Angle	916	ANT-916-CW-RCS-ND◆	6.46	5.91	5.25	ANT-916-CW-RCS
		2.4GHz	ANT-2.4-CW-RCS-ND◆	6.46	5.91	5.25	ANT-2.4-CW-RCS
8	1/2 Wave Whip RP-SMA	916	ANT-916-CW-RCL-ND◆	7.04	6.44	5.50	ANT-916-CW-RCL
		2.4GHz	ANT-2.4-CW-RCL-ND◆	7.04	6.44	5.50	ANT-2.4-CW-RCL
9	Permanent Mount Reduced Height 1/4 Wave Whip	315	ANT-315-PW-LP-ND◆	2.03	1.86	1.79	ANT-315-PW-LP
		418	ANT-418-PW-LP-ND◆	2.03	1.86	1.79	ANT-418-PW-LP
10	Permanent Mount Swivel Angle 1/4 Wave Whip	433	ANT-433-PW-LP-ND◆	2.03	1.86	1.79	ANT-433-PW-LP
		916	ANT-916-PW-LP-ND◆	2.03	1.86	1.79	ANT-916-PW-LP
		315	ANT-315-PW-RA-ND◆	3.45	3.11	2.89	ANT-315-PW-RA
		418	ANT-418-PW-RA-ND◆	3.45	3.11	2.89	ANT-418-PW-RA
11	1/2 Wave Swivel RP-SMA	433	ANT-433-PW-RA-ND◆	3.45	3.11	2.89	ANT-433-PW-RA
		916	ANT-916-PW-RA-ND◆	3.45	3.11	2.89	ANT-916-PW-RA
		2.45/5.8GHz	ANT-DB1-RAF-RPS-ND◆	10.28	9.00	7.87	ANT-DB1-RAF-RPS
12	Planar Antenna (SMT)	315	ANT-315-SP_-ND◆	2.08	1.82	1.75	ANT-315-SP_-
		418	ANT-418-SP_-ND◆	2.08	1.82	1.75	ANT-418-SP_-
		433	ANT-433-SP_-ND◆	2.08	1.82	1.75	ANT-433-SP_-
		868	ANT-868-SP_-ND◆	2.08	1.82	1.75	ANT-868-SP_-
		916	ANT-916-SP_-ND◆	2.08	1.82	1.75	ANT-916-SP_-
13	1/4 Wave, JJB Permanent Ultra-Miniature, Straight	868	ANT-868-JJB-ST-ND	1.72	1.57	1.35	ANT-868-JJB-ST
14	JJB Permanent Ultra-Miniature, Straight	916	ANT-916-JJB-ST-ND◆	1.96	1.72	1.50	ANT-916-JJB-ST
		2.45GHz	ANT-2.4-JJB-ST-ND◆	1.72	1.57	1.50	ANT-2.4-JJB-ST
15	JJB Permanent Ultra-Miniature, Right Angle	868	ANT-868-JJB-RA-ND◆	1.72	1.57	1.35	ANT-868-JJB-RA
		916	ANT-916-JJB-RA-ND◆	1.96	1.72	1.50	ANT-916-JJB-RA
		2.45GHz	ANT-2.4-JJB-RA-ND◆	1.72	1.57	1.50	ANT-2.4-JJB-RA
—	Ultra-Compact Chip Antenna	868	ANT-868-CHPCT-ND◆	4.97	4.55	3.90	ANT-868-CHP-T
		868	ANT-868-CHPTR-ND†		11331.00/3,000		ANT-868-CHP-T
		916	ANT-916-CHPCT-ND◆	4.97	4.55	3.90	ANT-916-CHP
		916	ANT-916-CHPTR-ND†		11331.00/3,000		ANT-916-CHP

◆ RoHS Compliant * Cut Tape † Tape and Reel

(Continued)

Digi-Reel® Most SMT cutdown parts are available on a Digi-Reel®. For Digi-Reel part number, change 1-ND to 6-ND or CT-ND to DKR-ND. See Digi-Key® Services on page 2 for additional information.

More Product Available Online: www.digikey.com

Toll-Free: 1-800-344-4539 • Phone 218-681-6674 • Fax: 218-681-3380

B

Fig.	Description	Frequency (MHz)	Digi-Key Part No.	1	25	100	Antenna Factor Part No.
16	Ultra-Compact Chip Antenna	2.45GHz	ANT-2.45-CHPCT-ND* ANT-2.45-CHPTR-ND†	1.51	1.38 1710.00/1,500	1.34	ANT-2.45-CHP ANT-2.45-CHP
17	Helical Through-Hole Antenna	315 418 433 916	ANT-315-HETH-ND ANT-418-HETH-ND ANT-433-HETH-ND ANT-916-HETH-ND	.88 .88 .88 .88	.75 .75 .75 .75	.67 .67 .67 .67	ANT-315-HETH ANT-418-HETH ANT-433-HETH ANT-916-HETH
18	Helical SMA Antenna	418	ANT-418-HESM-ND	.88	.75	.67	ANT-418-HESM
19	1/4 Wave Whip Right Angle	315 418 433 2.45GHz	ANT-315-CW-RAH-ND ANT-418-CW-RAH-ND ANT-433-CW-RAH-ND ANT-2.4-CW-RAH-RPS-ND	8.47 8.47 8.47 4.88	7.75 7.75 7.75 4.47	6.20 6.20 6.20 3.74	ANT-315-CW-RAH ANT-315-CW-RAH ANT-433-CW-RAH ANT-2.4-CW-RAH-RPS
20	1/4 Wave Right Angle with SMA	2.45GHz	ANT-2.4-CW-RAH-SMA-ND	4.88	4.47	3.83	ANT-2.4-CW-RAH-SMA
21	1/2 Wave Whip RP-SMA	868 916	ANT-868-CW-HW-ND ANT-916-CW-HW-ND	8.49 8.49	7.76 7.76	6.25 6.25	ANT-868-CW-HW ANT-916-CW-HW
22	1/4 Wave Whip RP-SMA	315	ANT-315-CW-HWR-RPS-ND	9.98	9.12	7.64	ANT-315-CW-HWR-RPS
		418	ANT-418-CW-HWR-RPS-ND	9.98	9.12	7.64	ANT-418-CW-HWR-RPS
		433	ANT-433-CW-HWR-RPS-ND	9.98	9.12	7.64	ANT-433-CW-HWR-RPS
	1/2 Wave Whip RP-SMA	868	ANT-868-CW-HWR-RPS-ND	9.98	9.12	7.64	ANT-868-CW-HWR-RPS
		916	ANT-916-CW-HWR-RPS-ND	9.98	9.12	7.64	ANT-916-CW-HWR-RPS
	1/4 Wave Whip SMA	315	ANT-315-CW-HWR-SMA-ND	9.98	9.12	7.64	ANT-315-CW-HWR-SMA
418		ANT-418-CW-HWR-SMA-ND	9.98	9.12	7.64	ANT-418-CW-HWR-SMA	
433		ANT-433-CW-HWR-SMA-ND	9.98	9.12	7.64	ANT-433-CW-HWR-SMA	
1/2 Wave Whip SMA	868	ANT-868-CW-HWR-SMA-ND	9.98	9.12	7.64	ANT-868-CW-HWR-SMA	
	916	ANT-916-CW-HWR-SMA-ND	9.98	9.12	7.64	ANT-916-CW-HWR-SMA	
	2.45GHz	ANT-2.4-WRT-SMA-ND	12.22	11.17	10.47	ANT-868-WRT-SMA ANT-916-WRT-SMA ANT-2.4-WRT-SMA	
Permanent Mount 1/4 Wave SMA	868	ANT-868-WRT-SMA-ND	12.22	11.17	10.47	ANT-868-WRT-SMA	
	916	ANT-916-WRT-SMA-ND	12.22	11.17	10.47	ANT-916-WRT-SMA	
	2.45GHz	ANT-2.4-WRT-SMA-ND	12.22	11.17	10.47	ANT-2.4-WRT-SMA	
Permanent Mount 1/4 Wave RP-SMA	868	ANT-868-WRT-RPS-ND	12.22	11.17	10.47	ANT-868-WRT-RPS	
	916	ANT-916-WRT-RPS-ND	12.22	11.17	10.47	ANT-916-WRT-RPS	
	2.45GHz	ANT-2.4-WRT-RPS-ND	12.22	11.17	10.47	ANT-2.4-WRT-RPS	
Evaluation Kit for CHP Antenna			AEK-2.45-CHP-ND	18.95	—	—	AEK-2.45-CHP

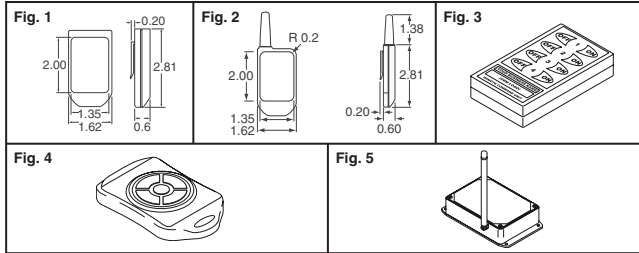
◆ RoHS Compliant • Cut Tape † Tape and Reel

OEM Modules

FCC Pre-Certified OEM Products



Dimensions in mm



All units below are pre-approved with the FCC to allow immediate integration and sale in most OEM product.

Compact Handheld Transmitter: Compact 8-buttons handheld remote is capable of up to 150 feet transmission range. The keypad and labeling can be modified to meet specific customer requirements. Can create up to 1,024 distinct transmitter-receiver relationships.

Long-Range Handheld Transmitter: Compact 8-buttons handheld remote is capable of up to 300+ feet transmission range. The keypad and labeling can be modified to meet specific customer requirements. Can create up to 1,024 distinct transmitter-receiver relationships. External antenna attached.

Handheld Transmitter: Compact 8-button handheld remote is capable of 100+ feet transmission ranges. The transmission can be decoded using a standard decoder IC, microcontroller or matching Linx function module. Selectable addressing provides security and allows distinct TX/RX relationships.

Keypad Transmitter: This tiny keypad features outstanding range performance and is configured with 1 to 5 buttons for a variety of OEM applications.

1 to 4 Position Relay Function Module: Provides 4 latched relay outputs which are capable of switching external AC or DC powered loads up to 5 amps. Selectable addressing.

Fig.	Description	Freq. (MHz)	Digi-Key Part No.	1	25	100	Linx Part No.
1	Compact Handheld Transmitter	418	CMD-HHCP-418-ND	29.40	26.88	23.52	CMD-HHCP-418
		433	CMD-HHCP-433-ND NEW!	29.40	26.88	23.52	CMD-HHCP-433
		315	CMD-HHCP-315-MD-ND	30.45	27.84	23.49	CMD-HHCP-315-MD
		418	CMD-HHCP-418-MD-ND	30.45	27.84	23.49	CMD-HHCP-418-MD
		433	CMD-HHCP-433-MD-ND	30.45	27.84	23.49	CMD-HHCP-433-MD
		315	OTX-315-HH-CP8-MS-ND	43.16	39.46	36.99	OTX-315-HH-CP8-MS
		418	OTX-418-HH-CP8-MS-ND	43.16	39.46	36.99	OTX-418-HH-CP8-MS
		433	OTX-433-HH-CP8-MS-ND	43.16	39.46	36.99	OTX-433-HH-CP8-MS
2	Long-Range Handheld Transmitter	315	CMD-HHLR-315-ND	32.41	29.64	26.49	CMD-HHLR-315
		418	CMD-HHLR-418-ND	32.41	29.64	26.49	CMD-HHLR-418
		418	CMD-HHLR-418-ND NEW!	32.41	29.64	24.95	CMD-HHLR-418
		433	CMD-HHLR-433-ND	32.41	29.64	26.49	CMD-HHLR-433
		315	CMD-HHLR-315-MD-ND	33.46	30.60	25.82	CMD-HHLR-315-MD
		418	CMD-HHLR-418-MD-ND	33.46	30.60	25.82	CMD-HHLR-418-MD
		433	CMD-HHLR-433-MD-ND	33.46	30.60	25.82	CMD-HHLR-433-MD
		315	OTX-315-HH-LR8-MS-ND	45.33	41.44	38.85	OTX-315-HH-LR8-MS
3	Handheld Transmitter	418	OTX-418-HH-LR8-MS-ND	45.33	41.44	35.49	OTX-418-HH-LR8-MS
		433	OTX-433-HH-LR8-MS-ND	45.33	41.44	38.85	OTX-433-HH-LR8-MS
		315	CMD-HHTX-315-ND	32.03	29.28	25.08	CMD-HHTX-315
		418	CMD-HHTX-418-ND	32.03	29.28	25.08	CMD-HHTX-418
		433	CMD-HHTX-433-ND	32.03	29.28	25.08	CMD-HHTX-433
		315	CMD-KEY5-315-ND	19.60	18.62	17.08	CMD-KEY5-315
		418	CMD-KEY5-418-ND	19.60	18.62	17.08	CMD-KEY5-418
		433	CMD-KEY5-433-ND	19.60	18.62	17.08	CMD-KEY5-433
4	1 to 5 Button FCC Pre-certified Keypad Transmitter	315	OTX-315-HH-KF5-MS-ND	21.40	20.33	20.07	OTX-315-HH-KF5-MS
		418	OTX-418-HH-KF5-MS-ND	21.40	20.33	20.07	OTX-418-HH-KF5-MS
		433	OTX-433-HH-KF5-MS-ND	21.40	20.33	20.07	OTX-433-HH-KF5-MS
		315	FCTN-RLY4X-315-ND	59.85	54.72	49.96	FCTN-RLY4-315
5	1 to 4 Position Relay Function Module	418	FCTN-RLY4-418-ND	59.85	54.72	49.96	FCTN-RLY4-418
		433	FCTN-RLY4X-433-ND	59.85	54.72	49.96	FCTN-RLY4-433
		418	FCTN-RLY4-418-ND	59.85	54.72	49.96	FCTN-RLY4-418

◆ RoHS Compliant

Evaluation Kits and Accessories

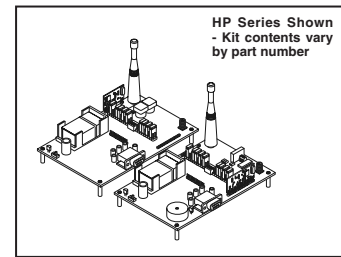
These kits provide the most complete opportunity to evaluate the Linx module series of your choice and then begin the integration of it into your own design.

Basic Evaluation Kit:

This kit is a quick way to evaluate the field performance of Linx products. The kit does not allow for the level of testing and interface possible with Master Kits but provides a cost-effective starting point.

Master Evaluation/Development System Kit:

The kits not only allow evaluation of the module series you have chosen, but also speed the development of your own design via on-board prototyping area and breakout headers.



HP Series Shown - Kit contents vary by part number

Description	MHz	Digi-Key Part No.	Price Each	Linx Part No.
Basic Evaluation Kits				
SC Series	916	EVAL-916-SC-P-ND	199.00	EVAL-916-SC
KH Series	315	EVAL-315-KH-ND	149.00	EVAL-315-KH
	433	EVAL-433-KH-ND	149.00	EVAL-433-KH
KH2 Series	315	EVAL-315-KH2-ND	149.00	EVAL-315-KH2
	418	EVAL-418-KH2-ND	149.00	EVAL-418-KH2
	433	EVAL-433-KH2-ND	149.00	EVAL-433-KH2
ES Series	916	EVAL-916-ES-ND	179.00	EVAL-916-ES
Keypad Series	418	EVAL-418-KEY5-ND	119.00	EVAL-418-KEYS
HHCP Series	418	EVAL-418-HHCP-ND	129.00	EVAL-418-HHCP
HHLR Series	418	EVAL-418-HHLR-ND	129.00	EVAL-418-HHLR
LR Series	315	EVAL-315-LR-ND	139.00	EVAL-315-LR
	418	EVAL-418-LR-ND	139.00	EVAL-418-LR
	433	EVAL-433-LR-ND	139.00	EVAL-433-LR-S
LT Series	315	EVAL-315-LT-ND	149.00	EVAL-315-LT
	418	EVAL-418-LT-ND	149.00	EVAL-418-LT
	433	EVAL-433-LT-ND	149.00	EVAL-433-LT
LC Series	315	EVAL-315-LC-ND	139.00	EVAL-315-LC
	418	EVAL-418-LC-ND	139.00	EVAL-418-LC
	433	EVAL-433-LC-ND	139.00	EVAL-433-LC
Master Evaluation / Development System Kits				
HP-3 Series	900	MDEV900HP3PPSR523-ND	299.00	MDEV-900-HP3-PPS-RS232
ES Series	916	MDEV-916-ES-ND	299.00	MDEV-916-ES
SC-P Series	916	MDEV-916-SC-P-ND	299.00	MDEV-916-SC-P
SC-S Series	916	MDEV-916-SC-S-ND	299.00	MDEV-916-SC-S
QS Series	—	MDEV-USB-QS-ND	129.00	MDEV-USB-QS
MS Series	315	MDEV-315-HH-KF5-MS-ND	149.95	MDEV-315-HH-KF5-MS
	418	MDEV-418-HH-KF5-MS-ND	149.95	MDEV-418-HH-KF5-MS
	433	MDEV-433-HH-KF5-MS-ND	149.95	MDEV-433-HH-KF5-MS
	315	MDEV-315-HH-CP8-MS-ND	149.95	MDEV-315-HH-CP8-MS
	418	MDEV-418-HH-CP8-MS-ND	149.95	MDEV-418-HH-CP8-MS
	433	MDEV-433-HH-CP8-MS-ND	149.95	MDEV-433-HH-CP8-MS
HS Series	315	MDEV-315-HH-LR8-MS-ND	149.95	MDEV-315-HH-LR8-MS
	418	MDEV-418-HH-LR8-MS-ND	149.95	MDEV-418-HH-LR8-MS
	433	MDEV-433-HH-LR8-MS-ND	149.95	MDEV-433-HH-LR8-MS
	418	MDEV-LICAL-MS-ND	249.00	MDEV-LICAL-MS
418	MDEV-LICAL-MS-ND	299.00	MDEV-LICAL-MS	
Accessories — RoHS Compliant				
CR2032 Coin Battery Holder	—	BAT-HLD-001-ND	.53	BATHLD-001

◆ RoHS Compliant

Digi-Reel® Most SMT cutdown parts are available on a Digi-Reel®. For Digi-Reel part number, change 1-ND to 6-ND or CT-ND to DKR-ND. See Digi-Key® Services on page 2 for additional information.

More Product Available Online: www.digikey.com