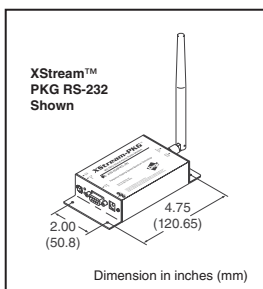


# Digi Stand-Alone Radio Modems

Digi International stand-alone radio modems were designed to provide end users with an easy-to-install wireless serial communication link.

- Features:**
- Plug and communicate (no configuration required)
  - Transparent operation supports existing software and systems
  - Retries and acknowledgements for guaranteed packet delivery
  - RS-232/422/485, Ethernet, USB protocol and multi-drop bus support
  - Low power modes for current consumption as low as 1mA
  - Support for multiple data formats (7/8 bits, Even/Odd/No Parity)
  - Selectable power outputs

- Includes:**
- Stand-Alone Radio Modem
  - CD (software and documentation)
  - 1/2 wave antenna
  - Serial loopback adapter
  - NULL modem adapter (male-to-male)
  - NULL modem adapter (female-to-female)
  - Male DB-9 to RJ-45 adapter
  - Female DB-9 to RJ-45 adapter
  - Power adapter
  - 9V battery adapter
  - RS-232 cable (6')



Frequency	Power Output	RF Data Rate (Baud)	Connection Type	Digi-Key Part No.	Price Each	Digi International Part No.
900MHz	1Watt	115K	RS-232	XT09-PKI-RA-ND	319.76	XT09-PKI-RA
900MHz	1Watt	115K	USB	XT09-PKC-UA-ND	319.76	XT09-PKC-UA
900MHz	100mW	9600	RS-232	X09-009PKC-RA-ND	250.00	X09-009PKC-RA
900MHz	100mW	19.2K	RS-232	X09-019PKC-RA-ND	250.00	X09-019PKC-RA
2.4GHz	50mW	9600	RS-232	X24-009PKC-RA-ND	199.00	X24-009PKC-RA
2.4GHz	50mW	19.2K	RS-232	X24-019PKC-RA-ND	199.00	X24-019PKC-RA
900MHz	100mW	9600	USB	X09-009PKC-UA-ND	250.00	X09-009PKC-UA
900MHz	100mW	19.2K	USB	X09-019PKC-UA-ND	250.00	X09-019PKC-UA
2.4GHz	50mW	9600	USB	X24-009PKC-UA-ND	199.00	X24-009PKC-UA
2.4GHz	50mW	19.2K	USB	X24-019PKC-UA-ND	199.00	X24-019PKC-UA
900MHz	100mW	9600	Ethernet	X09-009PKC-EA-ND	350.00	X09-009PKC-EA
900MHz	100mW	19.2K	Ethernet	X09-019PKC-EA-ND	350.00	X09-019PKC-EA
900MHz	4mW	RS-232	RS-232	XC09-038PKC-RA-ND	99.00	XC09-038PKC-RA
900MHz	4mW	USB	USB	XC09-038PKC-UA-ND	99.00	XC09-038PKC-UA

• RoHS Compliant

# Wireless Development Kits

## Development Kit Features:

- Plug-and-communicate (default mode - no configuration required)
- True peer to peer network (no need to configure a "Master" radio)
- Transparent mode supports existing software applications and legacy systems
- Addressing capabilities provide for point-to-point and point-to-multipoint networks
- Uses standard AT commands and/or fast binary commands for changing parameters
- Native RS485/422 (multi-drop-bus) protocol support
- Retries and acknowledgements of packets
- Provides guaranteed delivery of critical packets in difficult environments
- Multiple low power modes including shutdown pin, cyclic sleep and serial port sleep
- Signal strength register for link quality monitoring and debugging

- Serial loopback adapter
- NULL modem adapter (male-to-male)
- NULL modem adapter (female-to-female)
- Male DB-9 to RJ-45 adapter
- Female DB-9 to RJ-45 adapter
- (2) Power adapters
- 9V battery adapter
- (2) RS-232 cables (6')

## XCite™ Development Kits Include:

- XCite wireless module with an integrated wire antenna
- XCite wireless module with 1/2 wave dipole antenna
- (2) RS-232 PC serial interface boards
- (2) DSUB-9 serial cables
- (2) 9V 400mA power supplies
- 9V battery clip adapter
- Serial loopback adapter
- NULL modem adapter (male-to-male)
- NULL modem adapter (female-to-female)
- X-CTU test/configuration utility software (EXE file)

## XTend™ Development Kits Include:

- (2) XTend OEM RF modules with 1/2 wave dipole antennas
- (2) RS-232 PC serial interface boards
- (2) DSUB-9 serial cables
- (2) 9V 400mA power supplies
- 9V battery clip adapter
- Serial loopback adapter
- NULL modem adapter (male-to-male)
- NULL modem adapter (female-to-female)
- X-CTU test/configuration utility software

## XStream™ Development Kits Include:

- XStream wireless module with an integrated wire antenna
- XStream wireless module with 1/2 Wave dipole antenna
- (2) RS-232/422/485 interface boards
- CD (X-CTU™ software and documentation)

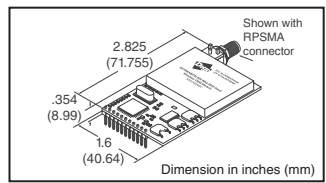
Frequency	Power Output	RF Data Rate (Baud)	Digi-Key Part No.	Price Each	Digi International Part No.
<b>XStream Development Kits</b>					
900MHz	100mW	9600	X09-009-DK-ND	409.00	X09-009-DK
900MHz	100mW	19.2K	X09-019-DK-ND	409.00	X09-019-DK
2.4GHz	50mW	9600	X24-009-DK-ND	409.00	X24-009-DK
2.4GHz	50mW	19.2K	X24-019-DK-ND	409.00	X24-019-DK
<b>XCite Development Kits</b>					
900MHz	5mW	9600	XC09-009-DK-ND	149.00	XC09-009-DK
900MHz	5mW	38.4K	XC09-038-DK-ND	149.00	XC09-038-DK
<b>XTend Development Kits</b>					
900MHz	1 Watt	115K	XT09-DK-ND	499.00	XT09-DK

• RoHS Compliant

# Wireless OEM Modules

XStream™, XCite™ and XTend™ Wireless OEM Modules were designed to provide product designers with a transparent and easy to design-in wireless serial communication link. **Features:** • Plug-and-communicate (no configuration required) • Transparent operation supports existing software and systems • 5V CMOS level serial interface (configurable interface baud rate) • XON/XOFF or hardware flow control • Support for multiple data formats (7/8/9 bits, Even/Odd/No Parity) • Low power modes down to 10µA **XStream:** Range: Up to 1500 feet indoor/urban • Up to 7 miles line-of-sight with dipole • Up to 20 miles line-of-sight with high gain • Allows up to 7 FHSS (frequency hopping spread spectrum) pairs to operate in close proximity • Board size: 1.6" (40.64mm) x 2.825" (71.755mm) • -110dBm receiver sensitivity **Power:** 5VDC supply voltage **XCite:** Range: 300 feet indoor/urban • 1000 feet line-of-sight with dipole • Allows up to 7 FHSS (frequency hopping spread spectrum) pairs to operate in close proximity • -108dBm receiver sensitivity

• Board size: 1.6" (40.64mm) x 2.825" (71.755mm) **Power:** 2.85VDC to 5.50VDC **XTend:** Range: Up to 3,000 feet indoor/Urban • Up to 14 miles line-of-sight with dipole • Up to 40 miles line-of-sight with high gain • Allows up to 10 FHSS (frequency hopping spread spectrum) pairs to operate in close proximity • -110dBm receiver sensitivity • Board size: 1.456" (36.98mm) x 2.402" (61mm) **Power:** 2.8 to 5.5VDC



Frequency	Power Output	RF Data Rate (Baud)	Connector/Antenna Type	Digi-Key Part No.	Price Each	Digi International Part No.
<b>XStream Modules</b>						
900MHz	100mW	9600	RPSMA	X09-009NSC-ND	181.45	X09-009NSC
900MHz	100mW	19.2K	RPSMA	X09-019NSC-ND	181.45	X09-019NSC
900MHz	100mW	9600	3" Wire	X09-009WNC-ND	166.94	X09-009WNC
900MHz	100mW	19.2K	3" Wire	X09-019WNC-ND	166.94	X09-019WNC
2.4GHz	50mW	9600	RPSMA	X24-009NSC-ND	99.00	X24-009NSC
2.4GHz	50mW	19.2K	RPSMA	X24-019NSC-ND	111.86	X24-019NSC
2.4GHz	50mW	9600	3" Wire	X24-009WNC-ND	107.34	X24-009WNC
2.4GHz	50mW	19.2K	3" Wire	X24-019WNC-ND	107.34	X24-019WNC
<b>XCite Modules - RoHS Compliant</b>						
900MHz	5mW	9600	RPSMA	XC09-009WNC-ND	41.61	XC09-009WNC
900MHz	5mW	38.4K	3" Wire	XC09-038WNC-ND	41.61	XC09-038WNC
900MHz	5mW	9600	RPSMA	XC09-009NSC-ND	43.87	XC09-009NSC
900MHz	5mW	38.4K	RPSMA	XC09-038NSC-ND	43.87	XC09-038NSC
<b>XTend Modules</b>						
900MHz	1 Watt	115K	RPSMA	XT09-SI-ND	179.00	XT09-SI
900MHz	1 Watt	115K	MMCX	XT09-MI-ND	179.00	XT09-MI

• RoHS Compliant

# XBee®, XBee-PRO®, ZigBee® and ZigBee-PRO® Wireless Modules

XBee and XBee-PRO Wireless Modules were designed to provide all the benefits of low-power advanced networking in a low-cost solution that dramatically reduces time-to-market. In addition, the small form factor saves valuable board space. The XBee ZNet 2.5 (formally known as Series 2) is based on ZigBee/802.15.4 silicon from Ember™. It

features ZigBee firmware for creating ad-hoc mesh networks.

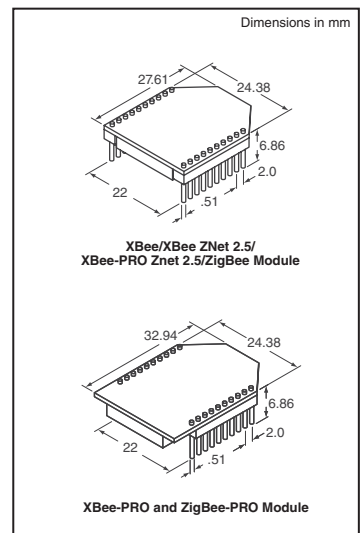
## Features:

- Plug and communicate (No configuration required)
- Retries and acknowledgements for guaranteed packet delivery
- Uses standard AT commands for changing parameters
- Low power modes down to 10µA

## Development Kits Include:

- (2) XBee-PRO Modules with wire and U.F.L.
- (3) XBee Modules with each antenna option
- RPSMA 1/2 wave antenna
- Cables
- Connectors
- XCTU Software
- 9V clip and adaptor
- (2) XBee ZNet 2.5 OEM RF Modules
- (5) Development Boards

Frequency	Power Output	RF Data Rate (Baud)	Connection / Antenna Type	Digi-Key Part No.	Price Each	Digi International Part No.
<b>XBee Modules - RoHS Compliant</b>						
2.4GHz	1mW	250K	Chip Antenna	XB24-ACI-001-ND	23.20	XB24-ACI-001
			U.F.L Connector	XB24-AUI-001-ND	23.20	XB24-AUI-001
			Whip Antenna	XB24-AWI-001-ND	19.00	XB24-AWI-001
<b>XBee-PRO Modules - RoHS Compliant</b>						
2.4GHz	100mW	250K	Chip Antenna	XB24-ACI-001-ND	36.00	XB24-ACI-001
			U.F.L Connector	XB24-AUI-001-ND	36.00	XB24-AUI-001
			Whip Antenna	XB24-AWI-001-ND	32.00	XB24-AWI-001
<b>XBee ZNet 2.5 Modules - RoHS Compliant</b>						
2.4GHz	2mW	250K	Chip Antenna	XB24-BCIT-004-ND	21.00	XB24-BCIT-004
			RPSMA	XB24-BSIT-004-ND	23.00	XB24-BSIT-004
			U.F.L Connector	XB24-BUIT-004-ND	21.00	XB24-BUIT-004
			Wire Antenna	XB24-BWIT-004-ND	21.00	XB24-BWIT-004
<b>NEW! XBee-PRO ZNet 2.5 Modules - RoHS Compliant NEW!</b>						
2.4GHz	2mW	250K	Chip Antenna	XB24-BCIT-004-ND	38.24	XB24-BCIT-004
			RPSMA	XB24-BSIT-004-ND	40.48	XB24-BSIT-004
			U.F.L Connector	XB24-BUIT-004-ND	38.24	XB24-BUIT-004
			Wire Antenna	XB24-BWIT-004-ND	38.24	XB24-BWIT-004
<b>NEW! ZigBee Modules NEW!</b>						
2.4GHz	2mW	250K	Chip Antenna	602-1096-ND	24.15	XB24-Z7CIT-004
			U.F.L Connector	602-1097-ND	24.15	XB24-Z7UIT-004
			Wire Antenna	602-1098-ND	24.15	XB24-Z7WIT-004
			RPSMA Connector	602-1099-ND	26.45	XB24-Z7SIT-004
<b>NEW! ZigBee-PRO Modules NEW!</b>						
2.4GHz	50mW	250K	Chip Antenna	602-1100-ND	36.65	XB24-Z7CIT-004
			U.F.L Connector	602-1101-ND	36.65	XB24-Z7UIT-004
			Wire Antenna	602-1102-ND	36.65	XB24-Z7WIT-004
			RPSMA Connector	602-1103-ND	38.79	XB24-Z7SIT-004
<b>XBee, XBee-PRO and XBee ZNet 2.5 Development Kits</b>						
Developer's Starter Kit for XBee				XB24-DKS-ND	129.00	XB-DKS
Developer's Kit for XBee-PRO				XB24-PDK-ND	179.00	XB-PDK
Development Kit for XBee-PRO				XB24-PDK-ND	339.00	XB24-PDK
Development Kit for XBee ZNet 2.5				XB24-BPDK-ND	339.00	XB24-BPDK



More Product Available Online: [www.digikey.com](http://www.digikey.com)