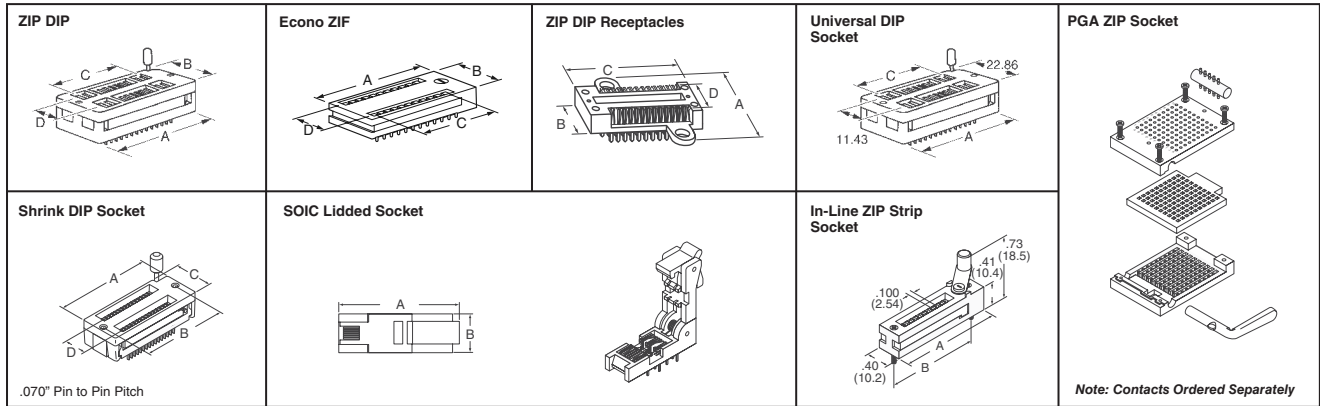


3M Zero Insertion Force (ZIF) I.C. Sockets



ZIP DIP SOCKETS:

Features: • For DIPs with .100" (2.54mm) lead spacing • Pin counts for 14–64 leads • Lever actuated zero insertion force mechanism • Socket easily disassembles for repairability

Physical Specifications: • Insulation Material: Glass Filled Polysulfone; Flammability: UL 94V-0 • Color: Green • Contact Material: Beryllium Copper; Plating: 30µ" (0.76µm) Gold over 50µ" (1.3µm) Nickel **Electrical Specifications:** • Current Rating: 1 Amp **Environmental Specifications:** • Operating Temperature Rating: -55°C – 150°C

ECONO ZIF SOCKETS:

Designed for OEM/end use applications where field replacement or programming of DIPs is required. The patented ZIF feature uses screwdriver rotation of a cam (instead of a lever) for security against vibration or accidental unloading. Leads are on .100" centers.

ZIP DIP RECEPTACLES:

Features: • Matching receptacle for every ZIP DIP Socket, including "Universal DIP" and "Shrink DIP" • Mounting flanges hold receptacle to board • Pre-tapped holes in receptacle body mate with screw-hole in socket to hold socket firmly to receptacle (2 screws provided with each receptacle)

Physical Specifications: • Insulation Material: Glass Filled Polysulfone; Flammability Rating: UL94V-0 • Color: Green • Contact Material: Beryllium Copper; Plating: 30µ" (0.76µm) Gold over 50µ" (1.3µm) Nickel **Electrical Specifications:** • Current Rating: 1 Amp **Environmental Specifications:** • Operating Temperature Rating: -55°C – 150°C

UNIVERSAL DIP SOCKETS .100 CENTERS:

Features: • For DIPs with .100" lead spacing • Extra wide contact zone allows insertion of DIPs with distance between rows from .300" through .600" • Lever actuated zero insertion force mechanism • Socket easily disassembles for repairability

Physical Specifications: • Insulation Material: Glass Filled Polysulfone; Flammability: UL 94V-0 • Color: Green • Contact Material: Beryllium Copper; Plating: 30µ" (0.76µm) Gold over 50µ" (1.3µm) Nickel **Electrical Specifications:** • Current Rating: 1 Amp **Environmental Specifications:** • Operating Temperature Rating: -55°C – 150°C

SHRINK DIP SOCKETS:

Features: • For DIPs with .070" (1.78mm) lead spacing • Pin counts from 28 through 90 leads • Lever actuated zero insertion force mechanism

Physical Specifications: • Insulation Material: Glass Filled Polysulfone; Flammability: UL 94V-0 • Color: Green • Contact Material: Beryllium Copper; Plating: Gold Flash over 50µ" (1.3µm) Nickel **Electrical Specifications:** • Current Rating: 1 Amp **Environmental Specifications:** • Operating Temperature Rating: -55°C – 150°C

SOIC SOCKETS LIDDED:

Features: • Lid can be actuated from top or front and is compatible with automated load/unload equipment • Compact envelope and side to side stackability maximize board density • Tweezer slot for easy manual loading/unloading • Lid applies 80 grams normal force per lead for maximum electrical reliability • Accepts Gull Wing JEDEC devices sizes in .150" (3.81mm) and .300" (7.62mm) body widths

Physical Specifications: • Insulation Material: Glass Filled Polyethersulfone; Flammability: UL 94V-0 • Color: Black • Contact Material: Beryllium Copper; Plating: 30µ" (0.76µm) Gold over 50µ" (1.3µm) Nickel **Electrical Specifications:** • Current Rating: 1 Amp **Environmental Specifications:** • Operating Temperature Rating: -55°C – 150°C

IN-LINE ZIP STRIP SOCKETS:

Features: • For single-in-line packages on .100" (2.54mm) centers • SIP pin counts from 10 through 36 leads • Lever actuated zero insertion force mechanism • Ganging bar included to enable mass actuation • Accepts pins up to .025" (0.6mm) square

Physical Specifications: • Insulation Material: Glass Filled Polysulfone; Flammability: UL 94V-0 • Color: Green • Contact Material: Beryllium Copper; Plating: 30µ" (0.76µm) Gold over 50µ" (1.3µm) Nickel **Electrical Specifications:** • Current Rating: 1 Amp **Environmental Specifications:** • Operating Temperature Rating: -55°C – 150°C

PGA ZIP SOCKETS:

Features: • Available in 10 x 10 matrix through 25 x 25 matrix • Used when only a few test sockets are needed • Provides individual components ready for assembly • Open pattern top plate; load only those contacts needed for your specific device pin pattern

Physical Specifications: • Insulation Material: Polyethersulfone (PES); Flammability: UL 94V-0V • Color: Black • Contact Material: Beryllium Copper • Plating Options: 30µ" (0.76µm) Gold over 50µ" (1.3µm) Nickel **Electrical Specifications:** • Current Rating: 1 Amp **Environmental Specifications:** • Operating Temperature Rating: -55°C – 150°C

Note: Contacts Ordered Separately

| No. of Pins | Contact Plating | Dimensions – Inch (mm) | | | | Digi-Key Part No. | Pricing | | 3M Part No. | |
|---|-----------------|------------------------|--------------|--------------|--------------|-------------------|-----------|-------------------|-------------------|------------------|
| | | A | B | C | D | | 1 | 10 | | |
| ZIP DIP Sockets | | | | | | | | | | |
| 14 | Gold | 1.30 (33.0) | .60 (15.2) | .60 (15.2) | .300 (7.62) | 3M1402-ND | 10.17 | 80.69 | 214-3339-00-0602J | |
| 16 | | 1.39 (35.3) | .60 (15.2) | .70 (17.8) | .300 (7.62) | 3M1602-ND | 10.58 | 83.98 | 216-3340-00-0602J | |
| 18 | | 1.49 (37.8) | .60 (15.2) | .80 (20.3) | .300 (7.62) | 3M1802-ND | 10.99 | 87.28 | 218-3341-00-0602J | |
| 20 | | 1.59 (40.4) | .60 (15.2) | .90 (22.9) | .300 (7.62) | 3M2002-ND | 10.78 | 85.52 | 220-3342-00-0602J | |
| 22 | | 1.69 (42.9) | .70 (17.8) | 1.00 (25.4) | .400 (10.16) | 3M2202-ND | 11.95 | 94.06 | 222-3343-00-0602J | |
| 24 | | 1.78 (45.3) | .90 (22.9) | 1.10 (27.9) | .600 (15.24) | 3M2402-ND | 10.52 | 83.54 | 224-1275-00-0602J | |
| 24 | Gold | 1.79 (45.5) | .60 (15.2) | 1.10 (27.9) | .300 (7.62) | 3M5000-ND | 14.82 | 118.56 | 224-5248-09-0602J | |
| 28 | | 1.99 (50.5) | .90 (22.9) | 1.30 (33.0) | .600 (15.24) | 3M2802-ND | 11.04 | 87.57 | 228-1277-00-0602J | |
| 28 | | 1.99 (50.5) | .70 (17.8) | 1.30 (33.0) | .400 (10.16) | 3M5001-ND | 15.04 | 120.32 | 228-4817-09-0602J | |
| 32 | | 2.19 (55.5) | .90 (22.9) | 1.50 (38.1) | .600 (15.24) | 3M5076-ND | 14.60 | 116.80 | 232-1285-00-0602J | |
| 40 | | 2.58 (65.6) | .90 (22.9) | 1.90 (48.3) | .600 (15.24) | 3M4002-ND | 13.49 | 107.03 | 240-1280-00-0602J | |
| 64 | | 3.95 (100.3) | 1.30 (33.0) | 3.10 (78.7) | .900 (22.86) | 3M6402-ND | 21.10 | 167.49 | 264-4493-00-0602J | |
| 40 | Gold | 2.58 (65.5) | 1.30 (33.0) | 1.90 (48.3) | 1.00 (25.4) | 3M5002-ND | 20.60 | 164.80 | 240-3639-00-0602J | |
| 42 | | 2.68 (68.2) | .90 (22.9) | 2.00 (50.8) | .600 (15.24) | 3M5003-ND | 16.44 | 131.52 | 242-1281-00-0602J | |
| 48 | | 2.98 (75.8) | .90 (22.9) | 2.30 (58.4) | .600 (15.24) | 3M5004-ND | 20.50 | 164.00 | 248-1282-00-0602J | |
| Econo ZIF Sockets | | | | | | | | | | |
| 16 | | Gold | 1.10 (27.94) | .50 (12.70) | .700 (17.78) | .300 (7.62) | 3M1603-ND | 6.12 | 53.29 | 216-6278-00-3303 |
| ZIP DIP Receptacles — Solder Tail with Flanges | | | | | | | | | | |
| 14 | Gold | 1.00 (25.4) | .60 (15.2) | 1.28 (32.5) | .300 (7.62) | 3M1401-ND | 9.56 | 72.30 | 214-3339-09-0602J | |
| 16 | | .96 (24.4) | .56 (14.2) | 1.37 (34.8) | .300 (7.62) | 3M1601-ND | 9.96 | 75.33 | 216-3340-09-0602J | |
| 18 | | .95 (24.1) | .55 (14.0) | 1.49 (37.8) | .300 (7.62) | 3M1801-ND | 9.83 | 74.40 | 218-3341-09-0602J | |
| 20 | | 1.00 (25.4) | .60 (15.2) | 1.58 (40.1) | .300 (7.62) | 3M2001-ND | 10.22 | 77.28 | 220-3342-09-0602J | |
| 22 | | 1.06 (26.9) | .65 (16.5) | 1.69 (42.9) | .400 (10.16) | 3M2201-ND | 10.62 | 80.31 | 222-3343-09-0602J | |
| 24 | | 1.26 (32.0) | .86 (21.8) | 1.77 (45.0) | .600 (15.24) | 3M2401-ND | 10.01 | 75.75 | 224-1275-09-0602J | |
| 24 | Gold | .96 (24.4) | .56 (14.2) | 1.77 (45.0) | .300 (7.62) | 3M5021-ND | 11.28 | 90.24 | 224-5248-09-0602J | |
| 28 | | 1.26 (32.0) | .86 (21.8) | 1.98 (50.3) | .600 (15.24) | 3M2801-ND | 10.47 | 79.23 | 228-1277-09-0602J | |
| 28 | | 1.09 (27.9) | .70 (17.8) | 1.59 (40.5) | .400 (10.16) | 3M5026-ND | 18.30 | 146.40 | 228-1290-09-0602J | |
| 28 | | 1.06 (26.9) | .66 (16.8) | 1.98 (50.3) | .400 (10.16) | 3M5028-ND | 13.98 | 111.84 | 228-4817-09-0602J | |
| 32 | | 1.25 (32.0) | .86 (21.9) | 2.17 (55.2) | .600 (15.24) | 3M5030-ND | 11.66 | 93.28 | 232-1285-09-0602J | |
| 40 | | 1.27 (32.3) | .86 (21.8) | 2.58 (65.5) | .600 (15.24) | 3M4001-ND | 13.86 | 104.87 | 240-1280-09-0602J | |
| 40 | Gold | 1.66 (42.2) | 1.26 (32.0) | 2.58 (65.5) | 1.00 (25.4) | 3M5037-ND | 16.44 | 131.52 | 240-3639-09-0602J | |
| 42 | | 1.26 (32.0) | .86 (21.8) | 2.68 (68.1) | .600 (15.24) | 3M5039-ND | 14.34 | 114.72 | 242-1281-09-0602J | |
| 42 | | 1.30 (33.0) | .90 (22.9) | 2.08 (52.9) | .600 (15.24) | 3M5043-ND | 14.14 | 113.12 | 242-1293-09-0602J | |
| 48 | | 1.25 (31.8) | .86 (21.8) | 2.98 (75.8) | .600 (15.24) | 3M5045-ND | 15.14 | 121.12 | 248-1282-09-0602J | |
| 64 | | 1.70 (43.2) | 1.30 (33.0) | 3.95 (100.3) | .900 (22.86) | 3M6401-ND | 20.91 | 158.19 | 264-4493-09-0602J | |
| 64 | | 1.52 (38.5) | 1.11 (28.3) | 2.85 (72.5) | .800 (20.32) | 3M5049-ND | 20.36 | 162.88 | 264-1300-09-0602J | |
| 90 | 1.61 (40.8) | 1.19 (30.2) | 3.77 (95.7) | .900 (22.86) | 3M5052-ND | 31.94 | 255.52 | 290-1294-09-0602J | | |
| ZIP DIP Receptacles — Wire Wrap with Flanges | | | | | | | | | | |
| 14 | Gold | 1.00 (25.4) | .60 (15.2) | 1.28 (32.5) | .300 (7.62) | 3M5013-ND | 12.32 | 98.56 | 214-3339-19-0602J | |
| 16 | | .96 (24.4) | .56 (14.2) | 1.37 (34.8) | .300 (7.62) | 3M5014-ND | 12.98 | 103.84 | 216-3340-19-0602J | |
| 18 | | .95 (24.1) | .55 (14.0) | 1.49 (37.8) | .300 (7.62) | 3M5015-ND | 13.66 | 109.28 | 218-3341-19-0602J | |
| 20 | | 1.00 (25.4) | .60 (15.2) | 1.58 (40.1) | .300 (7.62) | 3M5016-ND | 14.38 | 115.04 | 220-3342-19-0602J | |
| 22 | | 1.06 (26.9) | .65 (16.5) | 1.69 (42.9) | .400 (10.16) | 3M5017-ND | 14.24 | 113.92 | 222-3343-19-0602J | |
| 24 | | 1.26 (32.0) | .86 (21.8) | 1.77 (45.0) | .600 (15.24) | 3M5018-ND | 12.82 | 102.56 | 224-1275-19-0602J | |

(Continued)

More Product Available Online: www.digkey.com

Toll-Free: 1-800-344-4539 • Phone 218-681-6674 • Fax: 218-681-3380

3M Zero Insertion Force (ZIF) I.C. Sockets (Cont.)



A

| No. of Pins | Contact Plating | Dimensions — Inch (mm) | | | | Digi-Key Part No. | Pricing | | 3M Part No. |
|--|-----------------|------------------------|--------------|--------------|--------------|-------------------|---------|-------------------|-------------------|
| | | A | B | C | D | | 1 | 10 | |
| 24 | Gold | .96 (24.4) | .56 (14.2) | 1.77 (45.0) | .300 (7.62) | 3M5022-ND | 14.86 | 118.88 | 224-5248-19-0602J |
| 28 | | 1.26 (32.0) | .86 (21.8) | 1.98 (50.3) | .600 (15.24) | 3M5023-ND | 14.38 | 115.04 | 228-1277-19-0602J |
| 28 | | 1.06 (26.9) | .86 (16.8) | 1.98 (50.3) | .400 (10.16) | 3M5029-ND | 16.66 | 133.28 | 228-4817-19-0602J |
| 32 | | 1.25 (32.0) | .86 (21.9) | 2.17 (55.2) | .600 (15.24) | 3M5031-ND | 24.44 | 195.52 | 232-1285-19-0602J |
| 40 | | 1.27 (32.3) | .86 (21.8) | 2.58 (65.5) | .600 (15.24) | 3M5034-ND | 17.50 | 140.00 | 240-1280-19-0602J |
| 40 | Gold | 1.66 (42.2) | 1.26 (32.0) | 2.58 (65.5) | 1.000 (25.4) | 3M5038-ND | 21.36 | 170.88 | 240-3639-19-0602J |
| 42 | | 1.26 (32.0) | .86 (21.8) | 2.68 (68.1) | .600 (15.24) | 3M5040-ND | 18.98 | 151.84 | 242-1281-19-0602J |
| 48 | | 1.25 (31.8) | .86 (21.8) | 2.98 (75.8) | .600 (15.24) | 3M5046-ND | 20.14 | 161.12 | 248-1282-19-0602J |
| 64 | | 1.70 (43.2) | 1.30 (33.0) | 3.95 (100.3) | .900 (22.86) | 3M5051-ND | 29.34 | 234.72 | 264-4493-19-0602J |
| ZIP DIP Receptacles — Solder Tail without Flanges | | | | | | | | | |
| 24 | Gold | 1.26 (32.0) | .86 (21.8) | 1.77 (45.0) | .600 (15.24) | 3M5019-ND | 10.22 | 81.76 | 224-1275-29-0602J |
| 28 | | 1.26 (32.0) | .86 (21.8) | 1.98 (50.3) | .600 (15.24) | 3M5024-ND | 10.66 | 85.28 | 228-1277-29-0602J |
| 28 | | 1.09 (27.9) | .70 (17.8) | 1.59 (40.5) | .400 (10.16) | 3M5027-ND | 10.60 | 84.80 | 228-1290-29-0602J |
| 32 | | 1.25 (32.0) | .86 (21.9) | 2.17 (55.2) | .600 (15.24) | 3M5032-ND | 11.66 | 93.28 | 232-1285-29-0602J |
| 40 | | 1.27 (32.3) | .86 (21.8) | 2.58 (65.5) | .600 (15.24) | 3M5035-ND | 14.16 | 113.28 | 240-1280-29-0602J |
| 42 | Gold | 1.26 (32.0) | .86 (21.8) | 2.68 (68.1) | .600 (15.24) | 3M5041-ND | 14.34 | 114.72 | 242-1281-29-0602J |
| 42 | | 1.30 (33.0) | .90 (22.9) | 2.08 (52.9) | .600 (15.24) | 3M5044-ND | 31.10 | 248.80 | 242-1293-29-0602J |
| 48 | | 1.25 (31.8) | .86 (21.8) | 2.98 (75.8) | .600 (15.24) | 3M5047-ND | 15.14 | 121.12 | 248-1282-29-0602J |
| 64 | | 1.52 (38.5) | 1.11 (28.3) | 2.85 (72.5) | .800 (20.32) | 3M5050-ND | 20.30 | 162.40 | 264-1300-29-0602J |
| 90 | | 1.61 (40.8) | 1.19 (30.2) | 3.77 (95.7) | .900 (22.86) | 3M5053-ND | 28.22 | 225.76 | 290-1294-29-0602J |
| ZIP DIP Receptacles — Wire Wrap without Flanges | | | | | | | | | |
| 24 | Gold | 1.26 (32.0) | .86 (21.8) | 1.77 (45.0) | .600 (15.24) | 3M5020-ND | 12.82 | 102.56 | 224-1275-39-0602J |
| 28 | | 1.26 (32.0) | .86 (21.8) | 1.98 (50.3) | .600 (15.24) | 3M5025-ND | 14.38 | 115.04 | 228-1277-39-0602J |
| 32 | | 1.25 (32.0) | .86 (21.9) | 2.17 (55.2) | .600 (15.24) | 3M5033-ND | 14.96 | 119.68 | 232-1285-39-0602J |
| 40 | | 1.27 (32.3) | .86 (21.8) | 2.58 (65.5) | .600 (15.24) | 3M5036-ND | 17.50 | 140.00 | 240-1280-39-0602J |
| 42 | | 1.26 (32.0) | .86 (21.8) | 2.68 (68.1) | .600 (15.24) | 3M5042-ND | 18.98 | 151.84 | 242-1281-39-0602J |
| 48 | 1.25 (31.8) | .86 (21.8) | 2.98 (75.8) | .600 (15.24) | 3M5048-ND | 20.14 | 161.12 | 248-1282-39-0602J | |
| Universal DIP Sockets | | | | | | | | | |
| 24 | Gold | 1.77 (45.0) | — | 1.10 (27.94) | — | 3M2406-ND | 13.06 | 103.64 | 224-1286-00-0602J |
| 28 | | 1.99 (50.5) | — | 1.60 (33.02) | — | 3M2806-ND | 16.30 | 131.78 | 228-1371-00-0602J |
| 32 | | 2.19 (56.6) | — | 1.50 (38.10) | — | 3M5005-ND | 20.78 | 166.24 | 232-1287-00-0602J |
| 40 | | 2.59 (65.8) | — | 1.90 (48.26) | — | 3M4006-ND | 20.44 | 162.20 | 240-1288-00-0602J |
| 42 | | 2.69 (68.2) | — | 2.00 (50.80) | — | 3M5006-ND | 26.04 | 208.32 | 242-1289-00-0602J |
| Shrink DIP Sockets — .070" Pin to Pin Pitch | | | | | | | | | |
| 28 | Gold | 1.60 (40.5) | 1.42 (36.1) | .70 (17.8) | .40 (10.16) | 3M5007-ND | 13.90 | 111.20 | 228-1290-00-0602J |
| 32 | | 1.73 (44.0) | 1.56 (39.6) | .70 (17.8) | .40 (10.16) | 3M5008-ND | 19.54 | 156.32 | 232-1291-00-0602J |
| 42 | | 2.10 (52.9) | 1.90 (48.5) | .90 (22.9) | .60 (15.24) | 3M5009-ND | 19.06 | 152.48 | 242-1293-00-0602J |
| 56 | | 2.57 (65.4) | 2.40 (61.0) | .90 (22.9) | .60 (15.24) | 3M5010-ND | 25.90 | 207.20 | 256-1292-00-0602J |
| 64 | | 2.90 (72.5) | 2.68 (68.0) | 1.10 (28.3) | .80 (20.70) | 3M5011-ND | 25.18 | 201.44 | 264-1300-00-0602J |
| 90 | 3.77 (95.7) | 3.59 (91.3) | 1.23 (31.3) | .90 (22.86) | 3M5012-ND | 40.26 | 322.08 | 290-1294-00-3302J | |
| SOIC Lidded Sockets | | | | | | | | | |
| 8 | Gold | 1.45 (36.8) | .47 (11.9) | — | — | 3M5054-ND | 19.02 | 152.16 | 208-7391-55-1902 |
| 14 | | 1.45 (36.8) | .47 (11.9) | — | — | 3M5055-ND | 20.24 | 161.92 | 214-7390-55-1902 |
| 16 | | 1.59 (40.4) | .57 (14.5) | — | — | 3M5077-ND | 21.48 | 171.84 | 216-7224-55-1902 |
| 16 | | 1.45 (36.8) | .47 (11.9) | — | — | 3M5078-ND | 21.48 | 171.84 | 216-7383-55-1902 |
| 18 | | 1.59 (40.4) | .57 (14.5) | — | — | 3M5056-ND | 22.04 | 176.32 | 218-7223-55-1902 |
| 20 | Gold | 1.59 (40.4) | .57 (14.5) | — | — | 3M5057-ND | 23.28 | 186.24 | 220-7201-55-1902 |
| 24 | | 1.69 (42.9) | .80 (20.3) | — | — | 3M5058-ND | 25.72 | 205.76 | 224-7397-55-1902 |
| 28 | | 1.69 (42.9) | .80 (20.3) | — | — | 3M5059-ND | 28.12 | 224.96 | 228-7396-55-1902 |
| 28 | | 1.69 (42.9) | .80 (20.3) | — | — | 3M5060-ND | 28.12 | 224.96 | 228-7474-55-1902 |
| In-Line ZIP Strip Sockets | | | | | | | | | |
| 10 | Gold | 1.77 (45.0) | 1.60 (40.8) | — | — | 3M5061-ND | 26.10 | 208.80 | 210-2599-00-0602 |
| 20 | | 2.77 (70.4) | 2.57 (65.3) | — | — | 3M5062-ND | 29.44 | 235.52 | 220-2600-00-0602 |
| 24 | | 3.15 (80.0) | 2.97 (75.4) | — | — | 3M5063-ND | 30.50 | 244.00 | 224-5809-00-0602 |
| 32 | | 3.97 (100.8) | 3.81 (96.8) | — | — | 3M5064-ND | 32.64 | 261.12 | 232-2601-00-0602 |
| 36 | | 4.35 (110.5) | 4.17 (105.9) | — | — | 3M5065-ND | 33.64 | 269.12 | 236-6225-00-0602 |

| Matrix Size | Description | Digi-Key Part No. | Pricing | | 3M Part No. |
|------------------------|---------------------------------|-------------------|---------|--------|--------------------|
| | | | 1 | 10 | |
| PGA ZIP Sockets | | | | | |
| 10 x 10 | Socket Kit without Contacts | 3M5066-ND | 29.12 | 232.96 | 200-6310-9UN-1900 |
| 11 x 11 | Socket Kit without Contacts | 3M5067-ND | 29.20 | 233.60 | 200-6311-9UN-1900 |
| 13 x 13 | Socket Kit without Contacts | 3M5068-ND | 32.00 | 256.00 | 200-6313-9UN-1900 |
| 15 x 15 | Socket Kit without Contacts | 3M5069-ND | 53.06 | 424.48 | 200-6315-9UN-1900 |
| 17 x 17 | Socket Kit without Contacts | 3M5070-ND | 45.28 | 362.24 | 200-6317-9UN-1900 |
| 19 x 19 | Socket Kit without Contacts | 3M5071-ND | 57.08 | 456.64 | 200-6319-9UN-1900 |
| 21 x 21 | Socket Kit without Contacts | 3M5072-ND | 71.12 | 568.96 | 200-6321-9UN-1900 |
| 25 x 25 | Socket Kit without Contacts | 3M5073-ND | 91.38 | 731.04 | 200-6325-9UN-1900 |
| — | Socket Contact - BeCu/Au Plated | 3M5074-ND | .22 | 1.76 | 300-6300-CNA-0002B |
| — | Extra Hole Plugs - Set of 10 | 3M5075-ND | 1.50 | 12.00 | 200-4660-14-1900 |

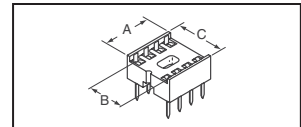
DIP Sockets

Features:

- Dual leaf, high compression contact provides reliable termination
- Side and end stackable

Specifications:

- Insulation Material: Polyester glass filled
- Flammability: UL 94V-0
- Color: Black
- Underplating: 35µ" min. Nickel overall
- Surface Plating: 135µ" min. Matte Tin overall
- Current Rating: 1 Amp
- Temperature Rating: -25°C - 85°C



| No. of Contact | Dimensions — Inch (mm) | | | Digi-Key Part No. | Pricing | | | 3M Part No. |
|----------------------|------------------------|--------------|--------------|-------------------|---------|------|-------|--------------|
| | A | B | C | | 1 | 10 | 100 | |
| Straight Tail | | | | | | | | |
| 8 | .395 (10.03) | .300 (7.62) | .400 (10.16) | 3M5461-ND | .21 | 1.82 | 14.70 | 4808-3000-CP |
| 14 | .695 (17.65) | .300 (7.62) | .400 (10.16) | 3M5462-ND | .18 | 1.56 | 12.60 | 4814-3000-CP |
| 16 | .795 (20.19) | .300 (7.62) | .400 (10.16) | 3M5463-ND | .18 | 1.56 | 12.60 | 4816-3000-CP |
| 18 | .895 (22.73) | .300 (7.62) | .400 (10.16) | 3M5464-ND | .24 | 2.08 | 16.80 | 4818-3000-CP |
| 20 | .995 (25.27) | .300 (7.62) | .400 (10.16) | 3M5465-ND | .24 | 2.08 | 16.80 | 4820-3000-CP |
| 24 | 1.195 (30.35) | .300 (7.62) | .400 (10.16) | 3M5466-ND | .27 | 2.34 | 18.90 | 4824-3000-CP |
| 24 | 1.195 (30.35) | .600 (15.24) | .700 (17.78) | 3M5467-ND | .27 | 2.34 | 18.90 | 4824-6000-CP |
| 28 | 1.395 (35.43) | .600 (15.24) | .700 (17.78) | 3M5469-ND | .27 | 2.34 | 18.90 | 4828-6000-CP |
| 32 | 1.595 (40.51) | .600 (15.24) | .700 (17.78) | 3M5470-ND | .33 | 2.86 | 23.10 | 4832-6000-CP |
| 40 | 1.995 (50.67) | .600 (15.24) | .700 (17.78) | 3M5471-ND | .42 | 3.64 | 29.40 | 4840-6000-CP |
| 48 | 2.395 (60.83) | .600 (15.24) | .700 (17.78) | 3M5472-ND | .54 | 4.68 | 37.80 | 4848-6000-CP |

| No. of Contact | Dimensions — Inch (mm) | | | Digi-Key Part No. | Pricing | | | 3M Part No. |
|--------------------|------------------------|--------------|--------------|-------------------|---------|------|-------|--------------|
| | A | B | C | | 1 | 10 | 100 | |
| Kinked Tail | | | | | | | | |
| 8 | .395 (10.03) | .300 (7.62) | .400 (10.16) | 3M5473-ND | .18 | 1.56 | 12.60 | 4808-3004-CP |
| 14 | .695 (17.65) | .300 (7.62) | .400 (10.16) | 3M5474-ND | .18 | 1.56 | 12.60 | 4814-3004-CP |
| 16 | .795 (20.19) | .300 (7.62) | .400 (10.16) | 3M5475-ND | .21 | 1.82 | 14.70 | 4816-3004-CP |
| 18 | .895 (22.73) | .300 (7.62) | .400 (10.16) | 3M5476-ND | .27 | 2.34 | 18.90 | 4818-3004-CP |
| 20 | .995 (25.27) | .300 (7.62) | .400 (10.16) | 3M5477-ND | .27 | 2.34 | 18.90 | 4820-3004-CP |
| 24 | 1.195 (30.35) | .300 (7.62) | .400 (10.16) | 3M5478-ND | .33 | 2.86 | 23.10 | 4824-3004-CP |
| 28 | 1.395 (35.43) | .300 (7.62) | .400 (10.16) | 3M5480-ND | .33 | 2.86 | 23.10 | 4828-3004-CP |
| 24 | 1.195 (30.35) | .600 (15.24) | .700 (17.78) | 3M5479-ND | .33 | 2.86 | 23.10 | 4824-6004-CP |
| 28 | 1.395 (35.43) | .600 (15.24) | .700 (17.78) | 3M5481-ND | .45 | 3.90 | 31.50 | 4828-6004-CP |
| 32 | 1.595 (40.51) | .600 (15.24) | .700 (17.78) | 3M5482-ND | .42 | 3.64 | 29.40 | 4832-6004-CP |
| 40 | 1.995 (50.67) | .600 (15.24) | .700 (17.78) | 3M5483-ND | .54 | 4.68 | 37.80 | 4840-6004-CP |
| 48 | 2.395 (60.83) | .600 (15.24) | .700 (17.78) | 3M5484-ND | .63 | 5.46 | 44.10 | 4848-6004-CP |

More Product Available Online: www.digkey.com