

Switchcraft®

Audio Connectors and Couplers



A

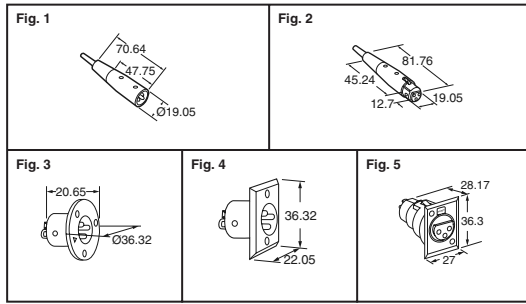


Fig.	Description	Digi-Key Part No.	Price Each			Mfg. Part No.
			1	10	25	
1	Plug Male Straight 3 pos. Satin Nickel Finish	SC1003-ND	5.68	4.26	3.91	A3M
	Plug Male Straight 3 pos. Black with Silver Contacts	SC1004-ND†	5.68	4.26	3.91	A3MB
	Plug Male Straight 4 pos. Satin Nickel Finish	SC1014-ND	6.48	4.86	4.46	A4M
	Plug Male Straight 5 pos. Satin Nickel Finish	SC1022-ND	11.32	8.49	7.78	A5M
2	Plug Female Straight 3 pos. Satin Nickel Finish	SC1001-ND	6.32	4.74	4.35	A3F
	Plug Female Straight 3 pos. Black with Silver Contacts	SC239-ND†	6.68	5.01	4.59	A3FBX
	Plug Female Straight 4 pos. Satin Nickel Finish	SC1013-ND	8.80	6.60	6.05	A4F
	Plug Female Straight 5 pos. Satin Nickel Finish	SC1021-ND	14.20	10.65	9.76	A5F
3	Receptacle Male Panel Mount 3 pos. Satin Nickel Finish	SC1008-ND	7.40	5.55	5.09	C3M
4	Receptacle Male Narrow Panel Mount 3 pos. Satin Nickel Finish	SC1010-ND	5.32	3.99	3.66	D3M
	Receptacle Male Narrow Panel Mount 4 pos. Satin Nickel Finish	SC1020-ND	6.28	4.71	4.32	D4M
	Receptacle Male Narrow Panel Mount 5 pos. Satin Nickel Finish	SC1028-ND	11.04	8.28	7.59	D5M
5	Receptacle Female Narrow Panel Mount 3 pos. Satin Nickel Finish	SC1009-ND	7.12	5.34	4.90	D3F
	Receptacle Female Narrow Panel Mount 4 pos. Satin Nickel Finish	SC1019-ND	10.04	7.53	6.90	D4F
	Receptacle Female Narrow Panel Mount 5 pos. Satin Nickel Finish	SC1027-ND	16.12	12.09	11.08	D5F

† "Black Velvet" (Electrically Conductive Chrome Plate)

1/4" (6.35mm) Plugs, Jacks and Audio Adapters

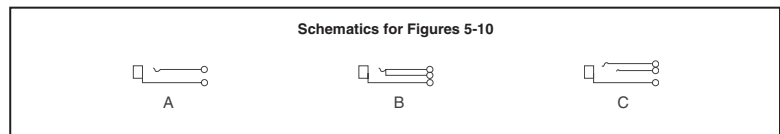
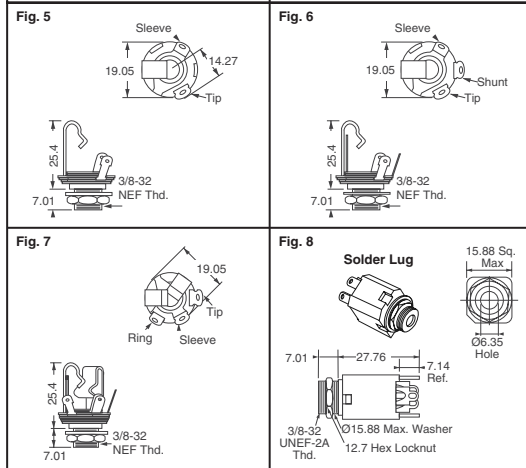
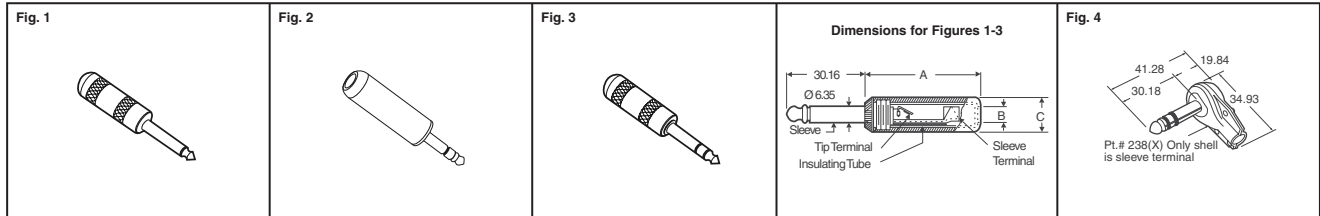


Fig.	Description	Mates With	Dimensions (mm)			Digi-Key Part No.	Pricing			Mfg. Part No.
			A	B	C		1	10	25	
"Littlet Plug"® Commercial 2-Conductor Phone Plugs										
1	Solder Lug and Cable Clamp with Black Handle	11	42.86	7.54	12.70	SC1072-ND	4.00	30.00	68.75	250
	Solder Lug and Cable Clamp with Shielded Handle	11	42.86	7.54	12.70	SC1075-ND	4.92	36.90	84.50	280
"Littlet Plug" Commercial 3-Conductor Phone Plugs										
2	Solder Lug and Cable Clamp with Black Handle	12B	42.86	7.54	12.70	SC1081-ND	5.76	43.20	99.00	267
3	Solder Lug and Cable Clamp with Shielded Handle	12B	42.86	7.54	12.70	SC1084-ND	6.60	49.50	113.50	297
Flat, Right Angle 2-Conductor Phone Plugs										
4	Solder Lug with Shielded Handle	11	—	—	—	SC1068-ND	5.64	42.30	97.00	228
Flat, Right Angle 3-Conductor Phone Plugs										
4	Solder Lug with Shielded Handle	12B	—	—	—	SC1314-ND	7.28	54.60	125.25	238X

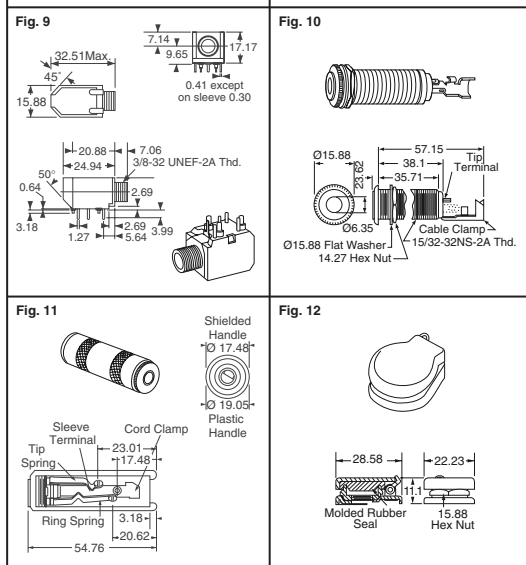


Fig.	Schematic	Description	Digi-Key Part No.	Pricing			Mfg. Part No.
				1	10	25	
"Littlet Jax"® Commercial 2-Conductor Phone Jacks							
5	A	Open Circuit	SC1085-ND	2.52	18.90	43.25	11
	B	Tip Shunt	SC1089-ND	2.52	18.90	43.25	12A
"Littlet Jax" Commercial 3-Conductor Phone Jacks							
7	C	Double Open Circuit	SC1094-ND	2.60	19.50	44.75	12B
"Hi-D Jax" Enclosed 2-Conductor Phone Jacks							
8	A	Insulated Bushing with Solder Lug	SC1315-ND	2.88	21.60	49.50	N111X
	B	Single Closed Circuit with Solder Lug	SC1316-ND	2.52	18.90	43.25	112AX
"Hi-D Jax" Enclosed 3-Conductor Phone Jacks							
8	C	Double Open Circuit with Solder Lug	SC1317-ND	2.56	19.20	44.00	112BX
"Hi-D Jax" Right Angle 2-Conductor Phone Jacks							
9	A	Single Open Circuit with PC Terminal	SC1121-ND	2.28	17.10	39.25	RN111PC
	B	Single Closed Circuit with PC Terminal	SC1122-ND	2.60	19.50	44.75	RN112APC
"Hi-D Jax" Right Angle 3-Conductor Phone Jacks							
9	C	Double Open Circuit with PC Terminal	SC1123-ND	2.80	21.00	48.25	RN112BPC
"TP-Jax" Thick-Panel 2-Conductor Phone Jacks							
10	A	Open Circuit	SC1034-ND	8.04	60.30	138.25	151
"TP-Jax" Thick-Panel 3-Conductor Phone Jacks							
10	C	Open Circuit	SC1035-ND	8.84	66.30	152.00	152B
"Extension-Jax" In-Line 3-Conductor Cable Extension Jacks							
11	—	Screw Terminal with Shielded Handle	SC1042-ND	10.76	80.70	185.00	1230
Jack Covers							
12	—	Black with Hardware	SC1329-ND	10.04	75.30	172.50	515X

More Product Available Online: www.digkey.com