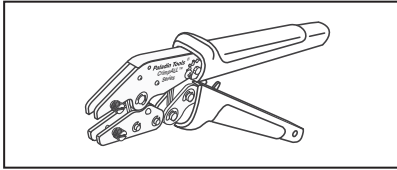


# Paladin Tools® 8000 and 1300 Series Crimper and Die Sets

## 8000 and 1300 Series Crimper

## Die Sets



**8000 Series:** Ergonomic Crimper that uses the same dies as the 1300 Series. Easiest crimper on the market to use, crimp with one hand effortlessly. Ultra-smooth ratchet design, rubber grip handles with reduced grip distance. Over 50 interchangeable die sets available.

**1300 Series:** The Original crimp frame with interchangeable die sets. Ratchet crimper with quick change EZI-CHANGE™ die screws. Precision crimping at an affordable price.

- PAL8000-ND (8000) 8000 Series Crimper (frame only) ..... \$58.99
- PAL1302-ND (1302) 1300 Series Crimper (frame only) ..... \$42.99
- PAL901381-ND (901381) Cordura Storage Case..... \$39.99

Description	Digi-Key Part No.	Price Each	Paladin Tools Part No.
<b>Coaxial Cable</b>			
BNC/TNC 3 Piece RG58, RG59, RG62AU	PAL2034-ND	25.99	2034
SMA, SMB, Mini-59 BNC/TNC, Mini UHF RG58, Mini-59, RG174, Small Coaxial and Belden 1855A	PAL2653-ND	25.99	2653
CATV "F" Type RG-59 and RG6 Video Cable	PAL2042-ND	25.99	2042
BNC, CATV "F" Type and HDTV, RG6, RG6 Quad and Belden 1694A	PAL2045-ND	25.99	2045
BNC/TNC RG174, RG179 and Small Cable Connectors	PAL2051-ND	25.99	2051
RJ45 and RG6/RG6 Quad CATV "F" - UTP 4-Pair and RG6/RG6 Quad Coaxial	PAL2687-ND	31.99	2687
<b>Twisted Pair Cable</b>			
RJ45 - 8P8C (8 Pin) - Flat/Round, Solid/Stranded RJ45 unkeyed	PAL2064-ND	25.99	2064
RJ50 - 10P10C (10 Pin) - Flat/Round, Solid/Stranded RJ50 unkeyed	PAL2068-ND	25.99	2068
<b>Electrical and Industrial Cable</b>			
Insulated Terminals and Lugs, Solid or Stranded Wire, 22-10AWG, for Large Professional Terminals	PAL2035-ND	25.99	2035
Open Barrel, Non-Insulated Terminals and Lugs - Narrow, Stranded Wire 22-10AWG for Standard Commercial Terminals	PAL2033-ND	25.99	2033
Insulated and Non-Insulated Wire Ferrules, Stranded Wire 22-10AWG	PAL2095-ND	25.99	2095
Open-Barrel, D-Sub Contact Pins, Stranded Wire 28-20AWG for Standard D-Sub Pins	PAL2097-ND	25.99	2097
Insulated Terminals and Lugs, Solid and Stranded Wire 26-14AWG for Small Wire Barrel Terminals	PAL2029-ND	25.99	2029



## RF Connectors MCX Type



**FEATURES:** • 30% Smaller than SMB • Rugged snap-on mating design • Captivated contact  
**ELECTRICAL RATINGS:** • Impedance: 50Ω • Frequency Range: 0 - 6GHz • Working Voltage at sea level: 335VRMS; 250VRMS (J531-ND and

J532-ND) **MECHANICAL RATINGS:** • Engage/Disengage Force: 5.6 pounds maximum engagement/8 pounds typical disengagement • Contact Retention Force: 2.3 pounds minimum axial force • Durability: 500 cycles minimum

**Fig. 1 - Right Angle Cable Plug**

**Fig. 2 - Straight Cable Plug**

**Fig. 3 - Straight Crimp Type Bulkhead Jack**

**Fig. 4 - Straight Plug Receptacle**

**Fig. 5 - Straight PC Mount Jack**

**Fig. 6 - Right Angle PC Mount Jack**

**Fig. 7 - Front Mount Bulkhead Jack Receptacle**

**Fig. 8 - End Launch Jack**

**Fig. 9 - SMT Straight Jack**

**Fig. 10 - SMT Right Angle Jack**

**Fig. 11 - Straight Jack Receptacle - 2.54mm**

Fig.	Cable Type	Plating	Dimensions (mm)		Digi-Key Part No.	Price Each			Johnson Part No.	
					1	10	50	100		
<b>50 Ohm</b>										
1	RG-178	Gold	11.58	—	J531-ND	5.65	4.95	4.26	3.65	133-3402-101
	RG-316	Gold	11.58	—	J535-ND	5.14	4.51	3.88	3.33	133-3403-101
	RG-178	Nickel	11.58	—	J532-ND	5.45	4.78	4.11	3.52	133-3402-106
	RG-316	Nickel	11.58	—	J536-ND	5.15	4.52	3.89	3.33	133-3403-106
	RG-188, RG-316	Nickel	7.90	—	J720-ND	5.15	4.52	3.89	3.33	133-3404-106
2	—	Gold	7.90	—	J721-ND	5.35	4.70	4.04	3.46	133-3693-101
	—	Gold	7.90	—	J721-ND	5.35	4.70	4.04	3.46	133-3693-101
2	RG-316	Gold	15.19	4.98	J533-ND	5.93	5.21	4.48	3.84	133-3403-001
	RG-316	Nickel	15.19	4.98	J534-ND	4.16	3.66	3.14	2.70	133-3403-006
4	—	Gold	—	—	J612-ND	8.77	7.69	6.61	5.67	133-3801-201
	—	Gold	3.94	—	J537-ND	4.88	4.11	3.54	3.03	133-3701-201
	—	Nickel	3.94	—	J538-ND	4.02	3.53	3.04	2.60	133-3701-206
5	—	Gold	2.79	—	J539-ND	4.88	4.28	3.68	3.15	133-3701-211
	—	Nickel	2.79	—	J540-ND	4.64	4.07	3.50	3.00	133-3701-216
	—	Gold	3.94	—	J541-ND	12.34	10.83	9.31	7.98	133-3701-301
6	—	Nickel	3.94	—	J542-ND	12.07	10.59	9.11	7.81	133-3701-306
	—	Gold	2.79	—	J543-ND	12.64	11.09	9.53	8.17	133-3701-311
	—	Nickel	2.79	—	J544-ND	9.27	8.13	6.99	5.99	133-3701-316
7	—	Gold	—	—	J545-ND	7.33	6.43	5.53	4.74	133-3701-401
	—	Nickel	—	—	J546-ND	7.09	6.22	5.35	4.59	133-3701-406
8	—	Gold	1.73	—	J547-ND	7.09	6.23	5.35	4.59	133-3701-801
9	—	Gold	—	—	J548-ND	7.24	6.35	5.46	4.68	133-3711-201
10	—	Gold	—	—	J549-ND	11.83	10.38	8.92	7.65	133-3711-301
11	—	Gold	—	—	J611-ND	5.55	4.88	4.19	3.59	133-3701-231

Fig.	Cable Type	Plating	Dimensions (mm)		Digi-Key Part No.	Price Each			Johnson Part No.	
					1	10	50	100		
<b>75 Ohm</b>										
1	RG-179	Gold	7.98	—	J643-ND	6.17	5.41	4.66	3.99	133-8433-101
	RG-179DS	Gold	7.98	—	J644-ND	6.17	5.41	4.66	3.99	133-8434-101
	RG-179	Gold	20.47	5.94	J645-ND	10.30	9.04	7.77	6.66	133-8433-001
	RG-179	Gold	—	—	J647-ND	12.40	10.88	9.35	8.02	133-8333-401
	—	Gold	3.80	—	J649-ND	10.03	8.80	7.56	6.48	133-8701-201
	—	Gold	2.70	—	J650-ND	6.34	5.56	4.78	4.10	133-8701-211
	—	Gold	2.70	—	J652-ND	9.43	8.28	7.12	6.10	133-8701-311
	—	Gold	1.73	—	J653-ND	5.69	4.99	4.29	3.68	133-8701-801
	—	Gold	—	—	J654-ND	6.28	5.51	4.74	4.06	133-8711-201
<b>Non-Magnetic MCX Connectors</b>										
1	RG-316/u, 188, 174	Gold	7.90	11.56	J680-ND	9.43	8.27	7.11	6.10	133-9403-101
	RG-316DS, 188DS	Gold	7.90	11.56	J681-ND	12.25	10.75	9.24	7.92	133-9404-101
2	RG-316/u, 188, 174	Gold	15.19	4.98	J678-ND	12.00	10.53	9.05	7.76	133-9403-001
5	—	Gold	3.94	—	J682-ND	6.45	5.66	4.87	4.18	133-9701-201
	—	Gold	2.79	—	J683-ND	7.49	6.57	5.65	4.84	133-9701-211
6	—	Gold	2.79	—	J685-ND	10.58	9.28	7.98	6.84	133-9701-311
8	—	Gold	1.57	—	J686-ND	12.76	11.19	9.62	8.25	133-9701-801
Right Angle Plug Assembly Tool .....						J574-ND	379.46/1		141-0000-908	
Hand Crimp Tool (frame only) .....						J572-ND	106.63/1		140-0000-952	
Die Set (RG178, 316) .....						J573-ND	129.48/1		140-0000-951	

More Product Available Online: [www.digkey.com](http://www.digkey.com)

Toll-Free: 1-800-344-4539 • Phone 218-681-6674 • Fax: 218-681-3380

A

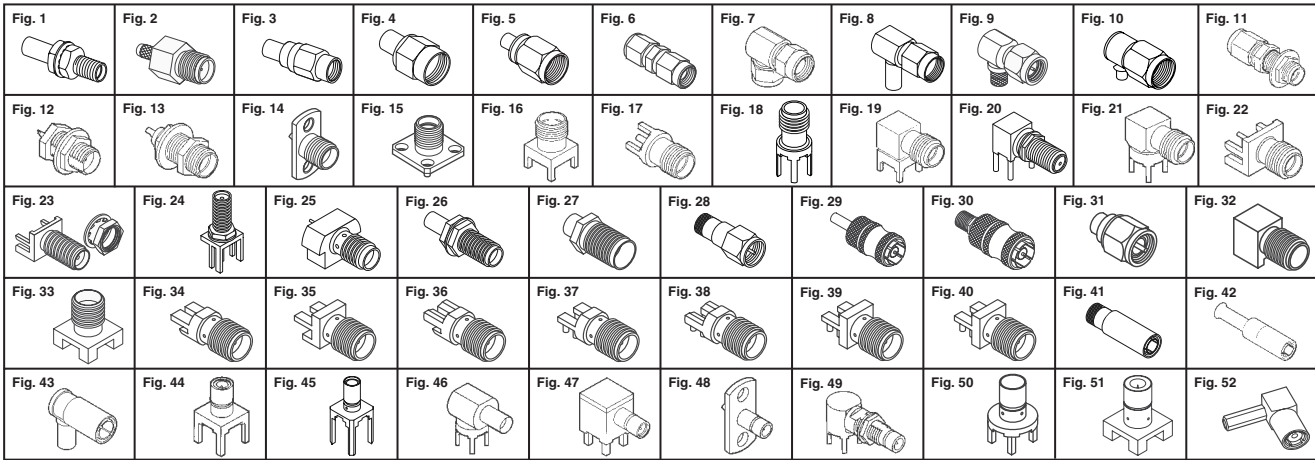


Fig.	Type (Description)	Cable Group	Plating	Digi-Key Part No.	Price Each	1	10	50	Johnson Part No.
<b>SMA Type</b>									
1	Crimp	2*	Gold	J523-ND	13.27	11.64	10.01	142-0303-411	
	Crimp	2*	Nickel	J524-ND	9.40	8.25	7.09	142-0303-416	
2	Crimp	7Δ	Gold	J990-ND	7.44	6.53	5.61	142-0303-011	
3	Crimp	2*	Gold	J525-ND	8.00	7.02	6.03	142-0403-011	
	Crimp	2*	Nickel	J526-ND	5.41	4.75	4.08	142-0403-016	
	Solder	RG-402	Gold	J485-ND	2.65	2.32	2.00	142-0694-011	
	Solder	RG-402	Nickel	J486-ND	2.17	1.91	1.64	142-0694-016	
	Solder	RG-405	Gold	J487-ND	6.49	5.70	4.90	142-0693-001	
	Solder	RG-405	Nickel	J488-ND	5.83	5.11	4.40	142-0693-006	
	Solder	.086 Semi-Rigid	Gold	J725-ND	6.88	6.04	5.19	142-0693-066	
	Solder	.141 Semi-Rigid	Nickel	J726-ND	6.88	6.04	5.19	142-0694-066	
4	Crimp	RG-178/U, 196	Gold	J605-ND	7.57	6.64	5.71	142-0402-011	
	Crimp	4‡	Gold	J637-ND	8.20	7.20	6.19	142-0439-001	
	Crimp	5‡‡	Gold	J638-ND	8.20	7.20	6.19	142-0435-001	
	Crimp	9ΔΔΔ	Gold	J813-ND	7.41	6.51	5.59	142-0408-011	
6	Clamp	2*	Gold	J474-ND	13.33	11.70	10.05	142-0203-011	
	Clamp	2*	Nickel	J475-ND	12.17	10.68	9.18	142-0203-016	
	Clamp	3**	Gold	J480-ND	21.37	18.74	16.11	142-0207-011	
	Clamp	3**	Nickel	J481-ND	20.16	17.69	15.20	142-0207-016	
7	Clamp	2*	Gold	J477-ND	9.81	8.69	7.47	142-0203-006	
	Clamp	3**	Nickel	J484-ND	11.13	9.76	8.39	142-0207-006	
	Crimp	2*	Gold	J510-ND	8.77	7.69	6.61	142-0403-101	
	Crimp	4‡	Gold	J639-ND	11.53	10.12	8.70	142-0439-101	
	Crimp	5‡‡	Gold	J640-ND	12.81	11.24	9.67	142-0435-101	
	Crimp	8Δ	Gold	J713-ND	11.83	10.38	8.93	142-0404-101	
9	Crimp	9ΔΔΔ	Gold	J991-ND	7.92	6.95	5.98	142-0408-101	
10	Solder	.086 Semi-Rigid	Gold	J606-ND	10.78	9.46	8.13	142-0693-101	
	Solder	.141 Semi-Rigid	Gold	J607-ND	10.58	9.28	7.98	142-0694-101	
11	Clamp	2*	Gold	J478-ND	14.61	12.82	11.02	142-0103-401	
12	Panel Mt.	—	Gold	J490-ND	9.04	7.93	6.82	142-0701-401	
13	Panel Mt.	—	Gold	J489-ND	8.20	7.20	6.19	142-0701-411	
14	Flange Mt.	—	Gold	J492-ND	9.69	8.50	7.31	142-0701-621	
15	Flange Mt.	—	Gold	J493-ND	6.64	5.82	5.01	142-0701-631	
16	PC Mt.	—	Gold	J494-ND	12.34	10.83	9.31	142-0701-211	
	PC Mt.	—	Nickel	J495-ND	7.93	6.96	5.98	142-0701-216	
17	PC Mt.	—	Gold	J500-ND	5.52	4.85	4.17	142-0701-201	
	PC Mt.	—	Nickel	J840-ND	5.43	4.77	4.10	142-0701-206	
18	PC Mt.	—	Gold	J608-ND	8.50	7.45	6.41	142-0701-231	
	PC Mt.	—	Gold	J496-ND	13.94	12.23	10.52	142-0701-321	
	PC Mt.	—	Nickel	J497-ND	12.59	11.04	9.49	142-0701-326	
20	PC Mt.	—	Gold	J569-ND	18.10	15.87	13.65	142-0701-501	
	PC Mt.	—	Nickel	J714-ND	17.29	15.17	13.04	142-0701-506	
	PC Mt.	—	Gold	J715-ND	13.14	11.52	9.91	142-0701-551	
21	PC Mt.	—	Gold	J501-ND	12.97	11.38	9.78	142-0701-301	
	PC Mt.	—	Nickel	J988-ND	8.68	7.62	6.55	142-0701-306	
	.062" PC Mt.	—	Gold	J502-ND	6.03	5.29	4.55	142-0701-801	
	.062" PC Mt.	—	Nickel	J716-ND	5.72	5.02	4.32	142-0701-806	
	.062" PC Mt.	—	Gold	J629-ND	7.20	6.32	5.43	142-0711-821	
	.031" PC Mt.	—	Gold	J657-ND	10.20	8.94	7.69	142-0701-881	
	.062" PC Mt.	—	Gold	J658-ND	10.81	9.49	8.18	142-0701-851	
	.042" PC Mt.	—	Gold	J630-ND	12.98	11.37	9.77	142-0701-841	
23	.062" PC Mt.	—	Gold	J992-ND	6.01	5.28	4.54	142-0711-851	
24	PC Mt.	—	Gold	J610-ND	12.22	10.72	9.22	142-0701-871	
25	PC Mt.	—	Gold	J631-ND	9.36	8.21	7.06	142-0721-881	
26	Crimp	4‡	Gold	J641-ND	12.68	11.13	9.57	142-0339-401	
	Solder	.086 Semi-Rigid	Gold	J809-ND	14.64	12.84	11.04	142-0593-421	
	Solder	.141 Semi-Rigid	Gold	J810-ND	14.64	12.84	11.04	142-0594-421	
	Solder	.086 Semi-Rigid	Gold	J811-ND	18.19	15.95	13.72	142-0593-431	
	Solder	.141 Semi-Rigid	Gold	J812-ND	18.19	15.95	13.72	142-0594-431	
	Solder	.086 Semi-Rigid	Nickel	J722-ND	4.94	4.34	3.73	142-0593-006	
	Solder	.141 Semi-Rigid	Gold	J723-ND	7.71	6.76	5.82	142-0594-001	
	Solder	.141 Semi-Rigid	Nickel	J724-ND	7.14	6.27	5.39	142-0594-006	
	Solder	.086 Semi-Rigid	Gold	J727-ND	5.71	5.01	4.31	142-0593-001	
28	50Ω Terminator	—	Gold	J634-ND	38.55	33.81	29.07	142-0801-861	
29	Quick Connect	7Δ	Gold	J706-ND	27.57	24.18	20.79	142-1403-001	
	Quick Connect	8ΔΔ	Gold	J707-ND	27.57	24.18	20.79	142-1404-001	
	Quick Connect	3**	Gold	J708-ND	27.57	24.18	20.79	142-1407-001	
	Quick Connect	9ΔΔΔ	Gold	J709-ND	27.57	24.18	20.79	142-1408-001	
30	Adapter	—	Gold	J710-ND	41.35	36.27	31.18	142-1901-821	
	Slide-On	RG-405	Gold	J711-ND	7.32	6.42	5.52	142-0693-061	
	Slide-On	RG-402	Gold	J712-ND	7.32	6.42	5.52	142-0694-061	
	Solder	.141 Semi-Rigid	Gold	J814-ND	2.77	2.44	2.09	142-0694-021	

Fig.	Type (Description)	Cable Group	Plating	Digi-Key Part No.	Price Each	1	10	50	Johnson Part No.
32	SMT	—	Gold	J717-ND	10.95	9.61	8.26	142-0711-301	
33	SMT	—	Gold	J819-ND	5.38	4.72	4.06	142-0711-201	
34	Edge Mt.	—	Gold	J799-ND	9.98	8.76	7.53	142-0761-841	
	Edge Mt.	—	Gold	J805-ND	9.98	8.76	7.53	142-0761-861	
35	Edge Mt.	—	Gold	J800-ND	9.98	8.76	7.53	142-0761-851	
	Edge Mt.	—	Gold	J820-ND	7.63	6.70	5.76	142-0711-841	
	Edge Mt.	—	Gold	J806-ND	9.98	8.76	7.53	142-0761-871	
36	Edge Mt.	—	Gold	J802-ND	9.98	8.76	7.53	142-0761-891	
	Edge Mt.	—	Gold	J808-ND	9.98	8.76	7.53	142-0771-831	
37	PC Mt.	—	Gold	J797-ND	9.98	8.76	7.53	142-0761-801	
	PC Mt.	—	Gold	J803-ND	9.98	8.76	7.53	142-0761-821	
38	PC Mt.	—	Gold	J801-ND	13.24	11.61	9.98	142-0761-881	
	PC Mt.	—	Gold	J807-ND	9.98	8.76	7.53	142-0771-821	
39	PC Mt.	—	Gold	J804-ND	9.98	8.76	7.53	142-0761-831	
40	PC Mt.	—	Gold	J798-ND	9.98	8.76	7.53	142-0761-811	
<b>SMB Type</b>									
41	50Ω Terminator	—	Gold	J635-ND	17.34	15.21	13.08	131-3801-811	
42	Crimp	2*	Nickel	J464-ND	6.19	5.43	4.67	131-1403-016	
43	Crimp	2*	Gold	J465-ND	9.17	8.05	6.92	131-1403-101	
	Crimp	2*	Nickel	J466-ND	7.71	6.76	5.81	131-1403-116	
	Crimp	60	Nickel	J815-ND	5.62	4.93	4.24	131-1404-116	
44	PC Mt.	—	Gold	J467-ND†	4.53	3.98	3.42	131-1701-201	
	PC Mt.	—	Nickel	J469-ND†	3.13	2.75	2.37	131-1701-216	
	PC Mt.	—	Gold	J613-ND†	2.55	2.24	1.93	131-3701-261	
	PC Mt.	—	Nickel	J614-ND†	2.43	2.13	1.84	131-3701-266	
45	PC Mt.	—	Gold	J615-ND†	2.55	2.24	1.93	131-3701-271	
	PC Mt.	—	Nickel	J616-ND†	2.43	2.13	1.84	131-3701-276	
46	PC Mt.	—	Gold	J472-ND	8.37	7.34	6.31	131-3701-301	
	PC Mt.	—	Gold	J818-ND	11.09	9.73	8.36	131-3701-301	
47	PC Mt.	—	Gold	J470-ND	8.73	7.66	6.58	131-3701-371	
	PC Mt.	—	Nickel	J471-ND	8.40	7.37	6.34	131-3701-376	
48	Panel Mt.	—	Gold	J520-ND	8.53	7.49	6.44	131-3701-621	
49	PC Mt.	—	Gold	J522-ND	10.75	9.44	8.11	131-3701-341	
	PC Mt.	—	Gold	J719-ND	12.54	11.00	9.46	131-3701-501	
50	PC Mt.	—	Gold	J718-ND	3.67	3.22	2.77	131-3701-201	
	PC Mt.	—	Nickel	J817-ND	3.81	3.34	2.88	131-3701-206	
51	SMT	—	Gold	J816-ND	5.99	5.25	4.52	131-3711-201	
<b>Non-Magnetic SMA Connectors</b>									
4	Crimp	2*	Gold	J660-ND	15.44	13.54	11.64	142-9403-011	
	Crimp	3**	Gold	J664-ND	16.73	14.67	12.62	142-9407-001	
	Crimp	2*	Gold	J662-ND	23.16	20.31	17.46	142-9403-101	
10	Crimp	60	Gold	J663-ND	21.21	18.72	16.00	142-9404-101	
	Crimp	3**	Gold	J665-ND	23.80	20.88	17.95	142-9407-101	
18	PC Mt.	—	Gold	J666-ND	11.14	9.77	8.40	142-9701-201	
22	PC Mt.	—	Gold	J669-ND	13.25	11.63	10.00	142-9701-801	
	PC Mt.	—	Gold	J670-ND					

## SMP Blind-Mate Connectors

Emerson's new Johnson® line of SMP Blind-Mate Connectors offers a Micro-Miniature, Slide-On/Snap-On Interconnect System that aids in the design of high density packaging as well as axial and radial misalignment issues. The SMP

interface offers superior performance up to 40 GHz and is compatible with all SMP and GPO® Connectors. They offer high electrical reliability where extreme shock and vibration conditions are experienced.

Dim. in mm

**A**

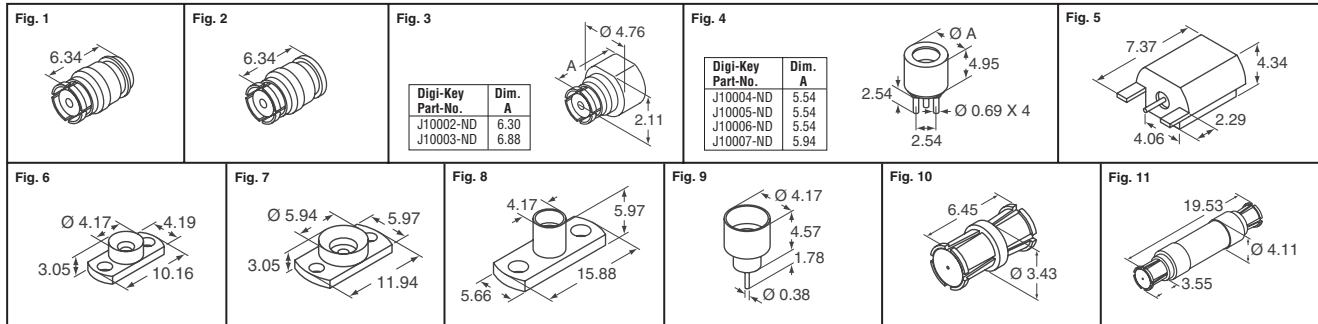


Fig	Description	Digi-Key Part No.	1	10	50	Johnson Part No.
1	Straight Solder Female M17/151	J10000-ND	15.08	13.23	11.37	127-0692-001
2	Straight Solder Female RG 405	J10001-ND	14.14	12.40	10.66	127-0693-001
3	Right Angle Solder Female M17/151	J10002-ND	22.62	19.84	17.06	127-0692-101
	Right Angle Solder Female RG 405	J10003-ND	18.85	16.53	14.21	127-0693-101
4	Receptacle Straight PC Mount Male Full Dent	J10004-ND	16.02	14.06	12.08	127-0701-201
	Receptacle Straight PC Mount Male Limited Dent	J10005-ND	16.02	14.06	12.08	127-1701-201
	Receptacle Straight PC Mount Male Smooth Bore	J10006-ND	16.02	14.06	12.08	127-2701-201
	Receptacle Straight PC Mount Male Catchers Mit	J10007-ND	16.02	14.06	12.08	127-3701-201
5	End launch Receptacle Male FD SMT	J10008-ND	16.02	14.06	12.08	127-0701-801
	End launch Receptacle Male LD SMT	J10009-ND	16.02	14.06	12.08	127-1701-801
	End launch Receptacle Male SB SMT	J10010-ND	16.02	14.06	12.08	127-2701-801
6	Flange Mount Male Shroud without Contact FD	J10011-ND	7.09	6.22	5.35	127-0701-602
	Flange Mount Male Shroud without Contact LD	J10012-ND	7.09	6.22	5.35	127-1701-602
	Flange Mount Male Shroud without Contact SB	J10013-ND	7.09	6.22	5.35	127-2701-602
	Flange Mount Male CM without Contact	J10014-ND	7.54	6.62	5.69	127-3701-602
8	Flange Mount Male Field Receptacle FD	J10015-ND	23.56	20.67	17.77	127-0701-612
	Flange Mount Male Field Receptacle LD	J10016-ND	24.51	21.49	18.48	127-1701-612

Fig	Description	Digi-Key Part No.	1	10	50	Johnson Part No.
8	Flange Mount Male Field Receptacle SB	J10017-ND	24.51	21.49	18.48	127-2701-612
9	Hermetic Seal Male FD	J10018-ND	34.51	27.12	22.68	127-0711-601
	Hermetic Seal Male LD	J10019-ND	34.51	27.12	22.68	127-1711-601
	Hermetic Seal Male SB	J10020-ND	34.51	27.12	22.68	127-2711-601
10	Female-Female Bullet Adapter	J10021-ND	14.14	12.40	10.66	127-0901-811
11	Female-Female Adapter	J10022-ND	21.68	19.01	16.35	127-0901-811
	SMP Bullet Extraction Tool	J10023-ND	133.00	—	—	127-0000-900
	SMP Cabled Connector Removal Tool	J10024-ND	11.70	—	—	127-0000-901
	SMP Center Contact Holder	J10025-ND	6.38	—	—	127-0000-902
	SMP Interface Locator Tool	J10026-ND	15.96	—	—	127-0000-903
	SMP Right Angle Body Holder	J10027-ND	6.38	—	—	127-0000-904
	SMP FD Shroud Centering Tool	J10028-ND	6.38	—	—	127-0000-905
	SMP LD Shroud Centering Tool	J10029-ND	6.38	—	—	127-0000-906
	SMP SB Shroud Centering Tool	J10030-ND	6.38	—	—	127-0000-907
	Adapter Male CM/Male FD	J10031-ND	23.56	20.67	17.77	127-0901-822
	Adapter Male CM/Male LD	J10032-ND	23.56	20.67	17.77	127-1901-822
Adapter Male CM/Male SB	J10033-ND	23.56	20.67	17.77	127-2901-822	

## Stainless Steel SMA Connectors

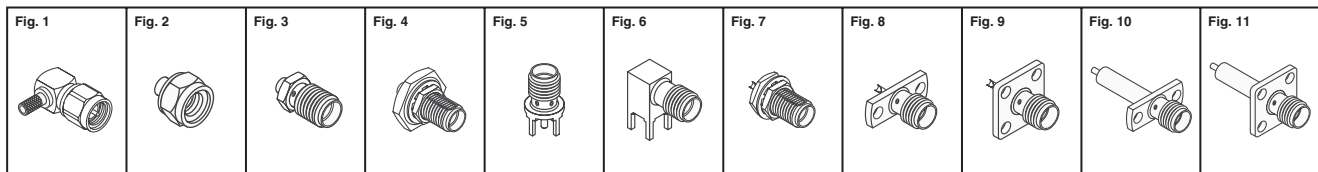


Fig.	Description	Cable Group	Digi-Key Part No.	1	10	50	Johnson Part No.
<b>Plugs</b>							
1	Right Angle Crimp	RG-316, 161/U, 174, 188	J879-ND	6.14	5.39	4.64	141-0403-102
		RG-316 DS, 188 DS	J880-ND	6.23	5.47	4.70	141-0404-112
		RG-58/U, 141, 303	J881-ND	6.41	5.62	4.83	141-0407-102
		RG-142, 55/U, 223, 400	J882-ND	6.23	5.47	4.70	141-0408-102
2	Straight Crimp	RG-316, 161/U, 174, 188, LMR-100, HPF-100, RF-100	J875-ND	5.62	4.93	4.24	141-0403-012
		RG-316 DS, 188 DS	J876-ND	5.62	4.93	4.24	141-0404-012
		RG-58/U, 141, 303, RF-195	J877-ND	5.53	4.85	4.17	141-0407-012
		LMR-195, HPF-195	J878-ND	5.62	4.93	4.24	141-0408-012
2	Straight Solder	RG-405, .086 Semi-Rigid	J883-ND	4.39	3.85	3.31	141-0693-002
		RG-402, .141 Semi-Rigid	J884-ND	4.48	3.93	3.38	141-0694-002
		RG-405, .086 Semi-Rigid	J886-ND	5.62	4.93	4.24	141-0693-062
		RG-402, .141 Semi-Rigid	J887-ND	5.79	5.08	4.37	141-0694-062
		Solder without Contact	J885-ND	3.07	2.70	2.32	141-0694-012

Fig.	Description	Cable Group	Digi-Key Part No.	1	10	50	Johnson Part No.
<b>Jacks</b>							
3	Straight Solder	RG-405, .086 Semi-Rigid	J892-ND	4.48	3.93	3.38	141-0593-001
		RG-402, .141 Semi-Rigid	J893-ND	4.48	3.93	3.38	141-0594-001
4	Straight Crimp Type Bulkhead Jack	RG-316, 161/U, 174, 188	J888-ND	5.09	4.47	3.84	141-0303-412
		RG-316 DS, 188 DS	J889-ND	5.18	4.54	3.91	141-0304-412
	Bulkhead Solder	RG-58/U, 141, 303	J890-ND	7.46	6.55	5.63	141-0307-412
		RG-142, 55/U, 223, 400	J891-ND	7.46	6.55	5.63	141-0308-412
5	Bulkhead Solder	RG-405, .086 Semi-Rigid	J894-ND	7.02	6.16	5.30	141-0593-401
		RG-402, .141 Semi-Rigid	J895-ND	7.02	6.16	5.30	141-0594-401
		RG-405, .086 Semi-Rigid	J896-ND	8.78	7.70	6.62	141-0593-421
		RG-402, .141 Semi-Rigid	J897-ND	7.63	6.70	5.76	141-0594-421
6	Straight PCB	—	J898-ND	5.27	4.62	3.97	141-0701-201
7	Right Angle PCB	—	J899-ND	9.21	8.08	6.95	141-0701-301
8	Rear Mount Bulkhead Solder	—	J900-ND	5.79	5.08	4.37	141-0701-402
9	Vertical Flange Mount 2-Hole	—	J901-ND	9.67	8.48	7.29	141-0701-602
10	Vertical Flange Mount 4-Hole	—	J902-ND	9.44	8.28	7.12	141-0701-612
11	Vertical Flange Mount 2-Hole	—	J903-ND	10.01	8.78	7.55	141-0701-622
11	Vertical Flange Mount 4-Hole	—	J904-ND	9.78	8.58	7.38	141-0701-632

More Product Available Online: [www.digikey.com](http://www.digikey.com)

Toll-Free: 1-800-344-4539 • Phone 218-681-6674 • Fax: 218-681-3380



## SMK (2.92mm) Connectors

SMK Connectors provide an excellent solution for applications requiring high frequency transmission. Similar to the SMA interface, a smaller internal body diameter (2.92mm) and air dielectric provide a higher cutoff frequency and other key advantages: • Superior electrical performance to 40GHz • Female contacts have a three-slot

construction, which enhances connectivity • The Field Replacement Jacks with a high quality hermetic seal feed thru for use in sealed circuit modules • The SMK plug interface employs more precise dimensions than an SMA and uses a shorter snub nose male pin such that the connector bodies align before the contacts engage

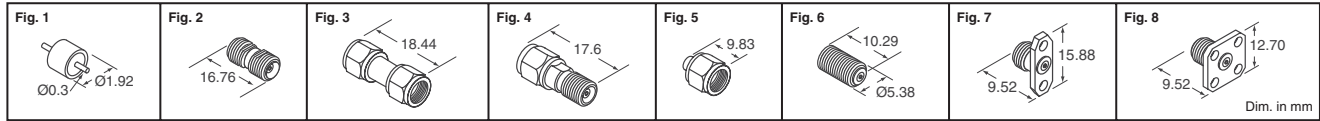


Fig.	Description	Plating	Digi-Key Part No.	Price Each	Johnson Part No.
<b>Adapter</b>					
1	Hermetic Seal Feedthru	—	J688-ND	15.73 12.36 10.34	142-1000-033
2	Jack to Jack In-series Adapter	Gold	J694-ND	81.90 70.88 63.00	145-0901-801
3	Plug to Plug In-series Adapter	Gold	J695-ND	78.00 67.50 60.00	145-0901-811
4	Plug to Jack In-series Adapter	Gold	J696-ND	71.50 61.88 55.00	145-0901-821
<b>Plug</b>					
5	Straight Solder Type w/Contact, Slide-on Nut	Passivated	J689-ND	18.55 14.58 12.19	145-0693-002
	Straight Solder Type w/Contact, Slide-on Nut	Passivated	J690-ND	18.03 14.17 11.85	145-0694-002
<b>Receptacle</b>					
6	Thread Mount Field Replaceable	Passivated	J691-ND	19.95 15.68 13.11	145-0701-002
7	2-Hole Flange Mount Jack	Passivated	J692-ND	30.80 24.20 20.24	145-0701-602
8	4-Hole Flange Mount Jack	Passivated	J693-ND	28.70 22.55 18.86	145-0701-612

Description	Digi-Key Part No.	Price Each	Johnson Part No.
<b>Tools</b>			
Bead Assembly Tool	J697-ND	27.90	140-0000-957
Body Soldering Tool for .086 Semi-Rigid	J698-ND	12.40	140-0000-958
Body Soldering Tool for .141 Semi-Rigid	J699-ND	12.40	140-0000-959
Contact Soldering Tool for .086 Semi-Rigid	J700-ND	11.62	140-0000-960
Contact Soldering Tool for .141 Semi-Rigid	J701-ND	11.62	140-0000-961
Cable Vise Tool	J702-ND	557.92	140-0000-962
Cable Clamp Insert Tool for .086 Semi-Rigid	J703-ND	96.30	140-0000-964
Cable Clamp Insert Tool for .141 Semi-Rigid	J704-ND	96.30	140-0000-965
Vise Stop Tool	J705-ND	10.85	140-0000-968

## RF Connectors MMCX Type



**ELECTRICAL RATINGS:** • Impedance: 50Ω • Frequency Range: 0 - 6 GHz • Working Voltage: 170 Vrms at sea level • Insulation Resistance: 1000MΩ minimum

**MECHANICAL RATINGS:** • Engagement/Disengagement Force: 8.0 pounds maximum engagement; 1.4 pounds minimum disengagement • Contact Retention Force: 2.0 pounds minimum axial force • Cable Retention: 30 pounds • Durability: 500 cycles minimum

**ENVIRONMENTAL RATINGS:** • Operating Temperature: -55°C - 155°C

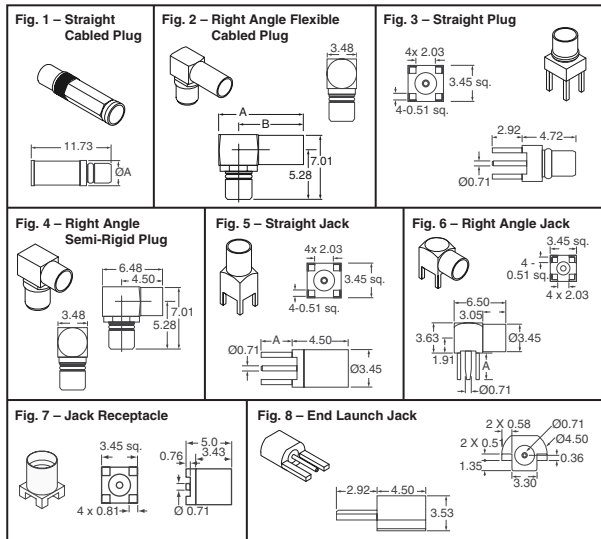


Fig.	Cable Type/Description	Dim. (mm)	Digi-Key Part No.	Price Each	Johnson Part No.
1	RG 178/U, 196	3.48	J589-ND	6.13 5.38 4.63	135-3402-001
	RG 316/U, 188, 161, 174	4.39	J590-ND	9.14 8.02 6.89	135-3403-001
	RG 316 DS, 188 DS, 187 DS	4.39	J591-ND	8.12 7.12 6.12	135-3404-001
2	.047" Diameter Flexible, Huber K01152-07, Axon P512479A	3.48	J592-ND	5.31 4.66 4.01	135-3436-001
3	RG 178/U, 196	8.99 7.01	J593-ND	10.77 9.45 8.12	135-3402-101
	RG 316/U, 188, 187, 179, 161, 174	10.46 8.48	J594-ND	10.65 9.34 8.03	135-3403-101
	RG 316 DS, RG 188 DS	10.46 8.48	J595-ND	9.43 8.28 7.12	135-3404-101
4	.047" Diameter Flexible, Huber K01152-07, Axon P512479A	8.99 7.01	J596-ND	9.33 8.19 7.04	135-3436-101
3	—	—	J601-ND	11.64 10.21 8.78	135-3801-201
4	—	—	J602-ND	9.33 8.19 7.04	135-3693-101
5	Straight - Gold PCB	2.92	J597-ND	6.19 5.43 4.67	135-3701-201
	Straight - Gold PCB	1.73	J598-ND	6.26 5.49 4.72	135-3701-211
6	Right Angle - Gold PCB	2.92	J599-ND	13.13 11.52 9.90	135-3701-301
	Right Angle - Gold PCB	1.73	J600-ND	12.57 11.03 9.48	135-3701-311
7	Jack Receptacle - Gold SMD	—	J821-ND	8.06 7.08 6.08	135-3711-201
8	End Launch - PCB	—	J603-ND	6.38 5.60 4.81	135-3711-801
	Hand Crimp Tool (frame only)	—	J572-ND	106.63/1	140-0000-952
	Crimp Tool Die Set	—	J604-ND	221.90/1	140-0000-953

## SMA Reverse Polarity Plugs and Receptacles



**Electrical Ratings:** • Impedance: 50Ω • Insulation Resistance: 5000 MΩ minimum • **Mechanical Ratings:** • Engagement Design: MIL-C-39012, Series SMA • Engagement/Disengagement Force: 2 inch-pounds maximum • Mating Torque: 7 - 10 inch-pounds • Bulkhead Mounting Nut Torque: 15 inch-pounds • Coupling Proof Torque: 15 inch-pounds minimum • Coupling Nut Retention: 60 Pounds minimum • Durability: 500 Cycles minimum • **Environmental Ratings:** (Meets or exceeds the applicable paragraph of MIL-C-39012) • Temperature Range: -65°C - 165°C • Thermal Shock: MIL-STD-202, Method 107, Condition B • Corrosion: • MIL-STD-202, Method 101, Condition B • Shock: MIL-STD-202, Method 213, Condition I • Vibration: MIL-STD-202, Method 204, Condition D • Moisture Resistance: MIL-STD-202, Method 106 • **Material Specifications:** • Bodies: Brass per QQ-B-626, Gold Plated per MIL-G-45204 .00001" minimum or nickel plated per QQ-N-290 • Contacts: Male: Brass per QQ-B-626, Gold Plated per MIL-G-45204 .00001" minimum; Female: Beryllium Copper per QQ-C-530, Gold Plated per MIL-G-45204 .00003" minimum

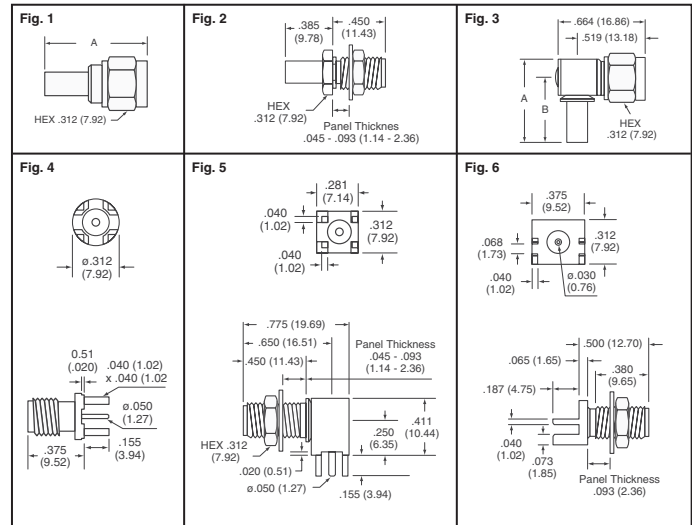


Fig.	Cable Type	Dimension - Inch (mm)	VSWR	Frequency Range (GHz)	Digi-Key Part No.	Price Each	Johnson Part No.
<b>Straight Crimp Type Plug</b>							
1	RG-316	706 (17.93)	—	1.15 + .02f	J908-ND	10.66 9.48 7.51	142-4403-001
	RG-316DS	706 (17.93)	—	1.15 + .02f	J909-ND	11.05 9.83 7.78	142-4404-001
	RG-58	706 (17.93)	—	1.17 + .025f	J910-ND	11.05 9.83 7.78	142-4407-001
<b>Straight Crimp Type Bulkhead Jack</b>							
2	RG-316	—	—	—	J905-ND	9.30 8.27 6.55	142-4303-401
	RG-316DS	—	—	—	J906-ND	9.70 8.63 6.83	142-4304-401
	RG-58	—	—	—	J907-ND	11.16 9.92 7.86	142-4307-401
<b>Right Angle Crimp Type Plug</b>							
3	RG-316	611 (15.52)	470 (11.94)	1.15 + .03f	J911-ND	11.45 10.18 8.06	142-4403-101
	RG-316DS	611 (15.52)	470 (11.94)	1.15 + .03f	J912-ND	11.05 9.83 7.78	142-4404-101
	RG-58	611 (15.52)	470 (11.94)	1.17 + .06f	J913-ND	11.84 10.53 8.34	142-4407-101
	LMR-240	635 (16.13)	490 (12.45)	1.10 + .06f	J914-ND	11.39 10.13 8.02	142-4435-101
<b>Receptacles</b>							
4	Straight Jack	—	—	—	J915-ND	6.32 5.62 4.45	142-4701-201
5	Right Angle Bulkhead Jack	—	—	—	J916-ND	12.42 11.04 8.74	142-4701-501
6	End Launch Bulkhead Jack	—	—	—	J917-ND	7.20 6.41 5.07	142-4701-801

More Product Available Online: [www.digkey.com](http://www.digkey.com)

Toll-Free: 1-800-344-4539 • Phone 218-681-6674 • Fax: 218-681-3380