

BNC Bulkhead Jack Connectors

75 Ohm Center Contact: Gold

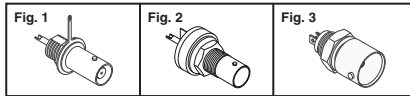


Fig.	Description	Digi-Key Part No.	Price Each	Tyco Electronics Part No.	
			1 25		
1	Jack, Solder, Nickel	A24598-ND	4.13	221244-1	
		A33815-ND◆	3.75	5221244-1	
2	Jack, Sealed Solder, Nickel	A24599-ND	8.20	7.06	414217-1
		A32348-ND◆	7.53	6.48	5414217-1
3	Jack, Solder, Nickel	A97551-ND◆	2.85	2.46	5-1634504-2

◆ RoHS Compliant

Terminator Plugs
50 and 75 Ohm

Body Plating: Nickel Center Contact: Gold



Description	Resistor Specification	Digi-Key Part No.	Price Each	Tyco Electronics Part No.	
			1 25		
With Tether	1 Watt, 50 Ohm	A24563-ND	10.05	8.65	221629-1
With Tether	1 Watt, 50 Ohm	A33818-ND◆	8.80	7.57	5221629-1
Without Tether	1 Watt, 50 Ohm	A24564-ND	7.40	6.37	221629-4
Without Tether	1 Watt, 50 Ohm	A33819-ND◆	6.50	5.59	5221629-4
With Tether	1 Watt, 75 Ohm	A24565-ND	19.35	16.65	221629-2
With Tether	1 Watt, 75 Ohm	A33820-ND◆	16.65	14.32	5221629-2
Without Tether	1 Watt, 75 Ohm	A24566-ND	11.60	9.98	221629-5
Without Tether	1 Watt, 75 Ohm	A33821-ND◆	10.00	8.60	5221629-5
With Tether	1 Watt, 50 Ohm†	A24568-ND	10.45	8.99	1-221629-6
With Tether	1 Watt, 50 Ohm†	A33822-ND◆	9.13	7.85	1-5221629-6

◆ RoHS Compliant † Tether is conductive with #4 stud size.

A

BNC RF PC Board / Panel Mount Decoupled Jack Connectors

50 Ohm

Body Plating: VALOX, Black Center Contact: Gold
Hardware not included

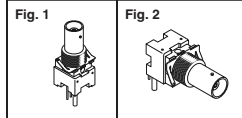


Fig.	Impedance Ohm	Mounting Post Length (Inches)	Capacity/Voltage	Digi-Key Part No.	Price Each	Tyco Electronics Part No.	
					1 25		
Vertical — RoHS Compliant							
1	50	.137	9400pF / 1500V	A32414-ND	7.93	6.82	5413476-2
Low Profile, Right Angle							
2	50	.158	9400pF / 1500V	A32415-ND◆	4.34	3.74	5413515-2
	50	.110	7900pF / 1600V	A32416-ND◆	4.99	4.30	5413515-7
	50	.185	9400pF / 1500V	A24621-ND	3.73	3.21	413515-8
	50	.185	9400pF / 1500V	A32417-ND◆	4.28	3.68	5413515-8
	50	.110	9400pF / 1500V	A32418-ND◆	4.34	3.74	5413515-9
Standard, Right Angle							
2	50	.158	9400pF / 1500V	A32419-ND◆	5.13	4.41	5413524-2
	50	.110	9400pF / 1500V	A24625-ND	6.53	5.62	413524-5
	50	.110	9400pF / 1500V	A32420-ND◆	5.88	5.06	5413524-5

◆ RoHS Compliant

Twin BNC and Twin-Ax Jack Connectors

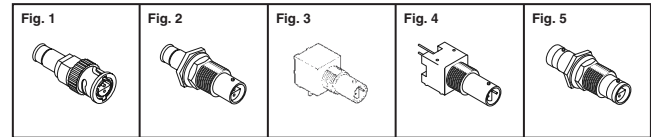


Fig.	Description	Cable Group RG/U	Digi-Key Part No.	Price Each	Tyco Electronics Part No.	
				1 25		
1	Plug, Silver†	108, 108A, Belden 9272, 89272	A24705-ND	28.03	24.11	332225
	Plug, Silver†		A33824-ND◆	25.28	21.74	5332225
	Plug, Nickel†		A24706-ND	21.70	18.67	332225-5
	Plug, Nickel†		A33825-ND◆	19.98	17.18	5332225-5
2	Bulkhead Jack, Silver†	108, 108A, Belden 9272, 89272	A24707-ND	32.95	28.34	332342
	Bulkhead Jack, Silver†		A33826-ND◆	29.70	25.55	5332342
3	Right-Angle Jack w/Mounting Posts, VALOX, White	—	A24708-ND†	13.80	11.87	228686-1
	Right-Angle Jack w/Mounting Posts, VALOX, White		A32412-ND◆†	12.70	10.93	5228686-1
4	Vertical Jack w/Mounting Posts, VALOX, White	—	A24709-ND†	19.00	16.34	221198-1
	Vertical Jack w/Mounting Posts, VALOX, White		A32413-ND◆†	17.15	14.75	5221198-1
5	Bulkhead Jack Adapter, Nickel (Center Contact: Silver)	—	A24710-ND	32.63	28.06	332215
	Bulkhead Jack Adapter, Nickel (Center Contact: Silver)		A33827-ND◆	28.00	24.08	5332215

◆ RoHS Compliant † Center contact: Silver ‡ Hardware not included

Mini BNC Connectors 75 Ohm

Features: • Offer 40% more interconnects than standard BNC connectors in the same area • Ideal for telecommunications and broadband applications Materials: • Brass/nickel shells, bodies and mounting nuts • Phosphor bronze and brass/gold center contacts Specifications: • Dielectrics: PTFE • Frequency: DC 2GHz • Nominal Impedance: 75Ω • Voltage Rating: 300V • Temperature Rating: -40°C - 85°C



Dimensions in Inches (mm)

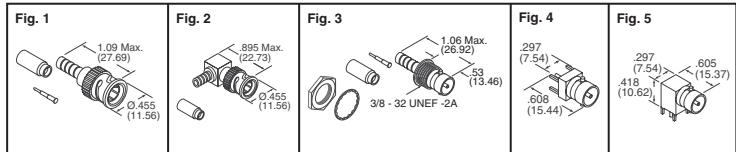


Fig.	Description	Cable Group RG/U	Digi-Key Part No.	Price Each	Tyco Electronics Part No.	
				1 100		
1	Straight Cable Plug	735A	A30530-ND	11.70	7.96	1274563-1
		734A	A30531-ND	11.50	7.82	1274563-2
		RG 179	A30532-ND	11.50	7.82	1274563-3
2	Right Angle Cable Plug	735A	A30533-ND	13.00	8.84	1274566-1
		734A	A30534-ND	12.80	8.71	1274566-2
		RG 179	A30535-ND	12.80	8.71	1274566-3
3	Bulkhead Cable Jack	735A	A30536-ND	8.38	5.70	1274568-1
		734A	A30537-ND	8.20	5.58	1274568-2
		RG 179	A30538-ND	8.20	5.58	1274568-3
4	Straight Jack Receptacle	—	A30539-ND	5.95	4.05	1274571-1
5	Right Angle Jack Receptacle	—	A30540-ND	9.33	6.35	1274572-1
Die Set for 735A/RG179, use with A9996-ND		—	A9993-ND	42.00	—	58425-2
Die Set for 734A, use with A9996-ND		—	A9992-ND	42.00	—	58425-1

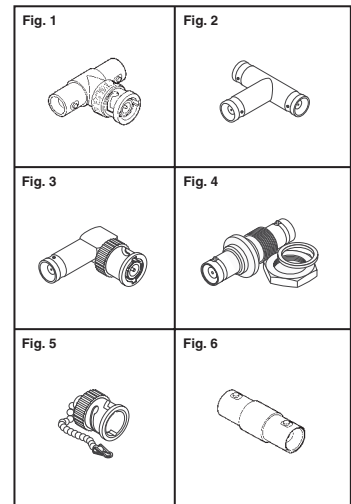
BNC Adapters 50 Ohm

Fig.	Description	Body Material and Plating	Center Contact Material and Plating	Digi-Key Part No.	Price Each	Tyco Electronics Part No.	
					1 25		
1	Tee, Jack-Plug-Jack	Brass, Nickel	BE CU, Gold (30µ)	A24549-ND◆	18.00	15.48	221543-2
	Tee, Jack-Plug-Jack	Zinc, Nickel	PH BR, Gold (15µ)	A24550-ND	8.03	6.91	413592-2
	Tee, Jack-Plug-Jack	Zinc, Nickel	PH BR, Gold (15µ)	A32524-ND◆	6.90	5.94	5413592-2
	Tee, Jack-Plug-Jack	Zinc, Nickel	BE CU, Gold (30µ)	A24551-ND	10.35	8.91	413592-6
	Tee, Jack-Plug-Jack	Zinc, Nickel	BE CU, Gold (30µ)	A33800-ND◆	8.90	7.66	5413592-6
2	Tee, Jack-Jack-Jack	Brass, Nickel	BE CU, Silver (200µ)	A24553-ND◆	19.10	16.43	221988-1
	Tee, Jack-Jack-Jack	Nickel	Silver	A24554-ND	24.05	20.69	329517
3	Right Angle, Jack-Plug	Nickel	Silver	A33801-ND◆	22.50	19.35	5329517
	Right Angle, Jack-Plug	Nickel	Silver	A24556-ND◆	21.05	18.11	330024
4	Bulkhead Jack, Jack-Jack	Nickel	Gold (50µ)	A24557-ND	8.35	7.19	228226-1
	Bulkhead Jack, Jack-Jack	Nickel	Gold (50µ)	A33802-ND◆	7.50	6.45	5228226-1
	Bulkhead Jack, Jack-Jack	Nickel	Gold (15µ)	A24558-ND	7.20	6.20	228226-3
	Bulkhead Jack, Jack-Jack	Nickel	Gold (15µ)	A33803-ND◆	6.18	5.32	5228226-3
	Bulkhead Jack, Jack-Jack	Nickel	Gold (15µ)	A24559-ND◆	7.35	6.33	330022
5	Jack Covers	Silver	—	A24560-ND◆	8.85	7.62	221551-1
	Feed-Thru, Jack-Jack	Nickel	Gold	A24561-ND◆	9.38	8.07	221551-3
	Feed-Thru, Jack-Jack	Nickel	Gold	A33804-ND◆	3.80	3.27	5414414-1

Zinc Die Cast — RoHS Compliant

1	Tee, Jack-Plug-Jack	Zinc, Nickel	Brass, Gold	A97571-ND	2.58	2.22	5-1634532-1
2	Tee, Jack-Jack-Jack	Zinc, Nickel	Phosphor Bronze, Gold	A97572-ND	3.25	2.80	5-1634535-1
3	Right Angle, Jack-Plug	Zinc, Nickel	Phosphor Bronze, Gold	A97568-ND	3.90	3.36	5-1634526-1
4	Bulkhead Jack, Jack-Jack	Zinc, Nickel	Phosphor Bronze, Gold	A97547-ND†	2.90	2.50	5-1634530-1
6	Straight, Jack-Jack	Zinc, Nickel	Phosphor Bronze, Gold	A97575-ND	2.18	1.88	5-1634534-1

◆ RoHS Compliant † Recommended nut (A97566-ND) and lockwasher (A97567-ND).



More Product Available Online: www.digkey.com

Toll-Free: 1-800-344-4539 • Phone 218-681-6674 • Fax: 218-681-3380



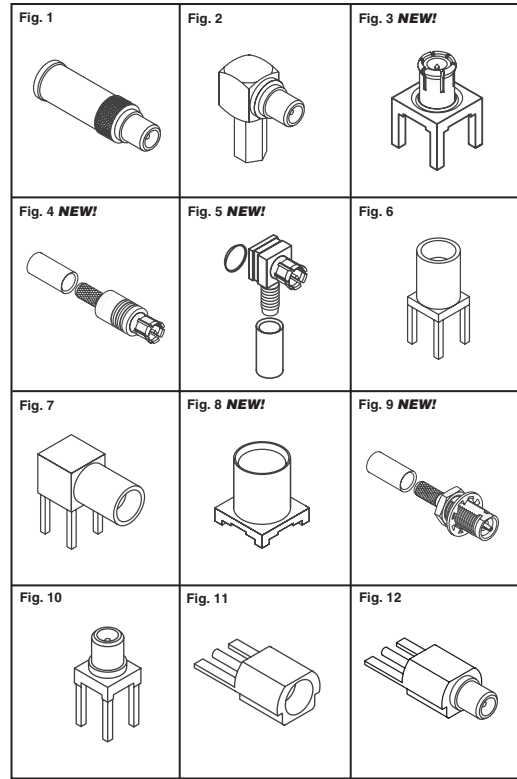
NEW! MCX Connectors

A

Fig.	Description	Digi-Key Part No.	1	Pricing 25	50	Tyco Electronics Part No.
Connector Plugs						
1	Straight Cable Plug, 50Ω - RD 316	A98536-ND	7.20	154.80	273.60	1060875-1
	Straight Cable Plug, 50Ω - RD 316	A98537-ND	7.58	162.86	287.85	1060875-2
2	Right Angle Cable Plug, Crimp, RG 316	A98538-ND	5.78	124.16	219.45	1363301-1
3	Straight Plug Receptacle, 50Ω	A98541-ND	6.05	130.08	229.90	1061015-1
4	Straight Cable Plug, 75Ω - RG 179	A98548-ND	13.20	283.80	501.60	1362990-1
5	Right Angle Cable Plug, 75Ω - RG 179	A98549-ND	7.68	165.01	291.65	1362991-1
Connector Jack Receptacles						
6	Straight Jack, 50Ω, Nickel	A98542-ND	2.80	60.20	106.40	1060985-1
	Straight Jack, 50Ω, Gold	A98543-ND	4.00	86.00	152.00	1060984-1
	Straight Jack, 50Ω, Nickel	A98544-ND	2.83	60.74	107.35	1060989-1
	Straight Jack, 50Ω, Gold	A98545-ND	3.58	76.86	135.85	1060995-1
7	Right Angle Jack, 50Ω, Nickel	A98546-ND	9.65	207.48	366.70	1061023-1
	Right Angle Jack, 50Ω, Gold	A98547-ND	6.53	140.29	247.95	1061022-1
8	Printed Circuit Board Receptacle	A98535-ND	4.33	92.99	164.35	1361169-1
9	Bulkhead Cable Jack	A98539-ND	9.65	207.48	366.70	1060883-1

MMCX Connectors

Fig.	Description	Digi-Key Part No.	1	Pricing 25	50	Tyco Electronics Part No.
Semi-Rigid Cable - Direct Solder Attachment						
1	Straight Cable Plug - RG 405	A30732-ND	7.08	152.11	268.85	1408313-1
2	Right Angle Cable Plug - RG 405	A30733-ND	8.43	181.14	320.15	1408314-1
Flexible Cable - Crimp Attachment						
1	Straight Cable Plug - RG 178, 196	A30734-ND	7.08	152.11	268.85	1408148-1
	Straight Cable Plug - RG 174, 188, 316	A30735-ND	7.08	152.11	268.85	1408312-1
	Straight Cable Plug - RD 316	A30736-ND	7.08	152.11	268.85	1408312-2
2	Right Angle Cable Plug - RG 178, 196	A30737-ND	8.43	181.14	320.15	1408149-1
	Right Angle Cable Plug - RG 174, 188, 316	A30738-ND	8.43	181.14	320.15	1408149-2
	Right Angle Cable Plug - RD 316	A30739-ND	8.43	181.14	320.15	1408149-3
Printed Circuit Board						
6	Straight Jack Receptacle	A30740-ND	7.23	155.34	274.55	1408150-1
7	Right Angle Jack Receptacle	A30741-ND	8.78	188.66	333.45	1408151-1
10	Straight Plug Receptacle	A30742-ND	8.40	180.60	319.20	1408496-1
Edge Mount						
11	Straight Jack Receptacle	A30743-ND	8.58	184.36	325.85	1408152-1
12	Straight Plug Receptacle	A30744-ND	10.98	235.96	417.05	1408120-1
Crimp Tool						
—	Die Set to use with A9996-ND	A30731-ND	265.13	—	—	1583696-1
—	Pro-Crimper Hand Tool	A9996-ND	66.00	—	—	354940-1



Between Series Adapters

Shell (Body) Finish: Gold



Description	Contact Finish	Digi-Key Part No.	1	Price Each 50	100	Tyco Electronics Part No.
SMA Plug to N Jack	Copper	A34406-ND	71.13	54.06	48.37	1057381-1
SMA Plug to N Plug	Copper	A34410-ND	61.83	46.99	42.05	1057367-1
SMA Jack to SMB Jack	Copper	A34424-ND	47.65	36.22	32.41	1060487-1
SMA Jack to N Jack	Copper	A34409-ND	79.43	60.37	54.01	1057341-1
SMA Jack to N Jack	Copper	A34415-ND†	88.23	67.06	60.00	1058651-1
SMA Jack to N Jack Square Flange	Copper	A34419-ND	111.03	84.38	75.50	1058653-1
SMA Jack to N Jack Bulkhead	Brass	A34411-ND	74.13	56.34	50.41	1057463-1
SMA Jack to N Jack Bulkhead	Copper	A34412-ND	118.10	89.76	80.31	1058675-1
SMA Jack to OSP Plug Bulkhead	Copper	A34403-ND	54.50	41.42	37.06	1059756-1
SMA Jack to OSP Jack Panel	Copper	A34407-ND	89.33	67.89	60.75	1059731-1
SMA Jack to OSP Jack Panel	Copper	A34422-ND	78.40	59.59	53.32	1059724-1
SMA Jack to OSP Jack Bulkhead	Copper	A34430-ND	64.23	48.82	43.68	1059729-1
SMA Jack to OSP Jack Bulkhead	Copper	A34431-ND	84.28	64.05	57.31	1059733-1
SMA Jack to OSSP Jack	Copper	A34432-ND	114.78	87.23	78.05	1059928-1
SMA Jack to OSP Plug	Copper	A34420-ND	32.73	24.88	22.26	1059716-1
SMA Jack to OSSM Plug	Copper	A34417-ND	42.73	32.48	29.06	1053770-1

Description	Contact Finish	Digi-Key Part No.	1	Price Each 50	100	Tyco Electronics Part No.
SMA Jack to OSMT Jack	Copper	A34423-ND	108.10	82.16	73.51	1055694-1
SMA Jack to SMC Jack	Copper	A34436-ND	50.40	38.31	34.28	1060266-1
SMA Jack to TNC Jack Square Flange	Copper	A34427-ND†	122.78	93.31	83.49	1058755-1
SMA Jack to TNC Jack Bulkhead	Copper	A34428-ND	199.55	151.66	135.70	1058800-1
SMA Jack to TNC Jack Bulkhead	Copper	A34438-ND	199.43	151.57	135.61	1059172-1
SMB Plug to BNC Jack	Copper	A34433-ND	56.28	42.77	38.27	1058077-1
SMB Plug to SMA Jack	Copper	A34414-ND	58.93	44.79	40.07	1060498-1
SMC Plug to SMA Jack	Copper	A34429-ND	56.35	42.83	38.32	1060272-1
BNC Jack to SMA Jack	Copper	A34418-ND	36.78	27.95	25.01	1058058-1
BNC Jack to SMA Jack Bulkhead	Copper	A34402-ND	49.88	37.91	33.92	1058117-1
BNC Jack to SMA Plug	Copper	A34404-ND	38.63	29.36	26.27	1058083-1
BNC Plug to N Jack	Brass	A34435-ND	130.40	99.11	88.68	1057392-1
BNC Plug to SMA Jack	Copper	A34405-ND	36.60	27.82	24.89	1058081-1
TNC Jack to SMA Jack Square Flange	Copper	A34408-ND	77.95	59.25	53.01	1057841-1
TNC Jack to SMA Jack Bulkhead	Copper	A34416-ND	134.13	101.94	91.21	1057908-1
TNC Plug to SMA Jack	Copper	A34413-ND	52.58	39.96	35.76	1057853-1
N Plug to SMA Jack	Copper	A34400-ND	61.70	46.90	41.96	1057377-1
N Jack to SMA Jack Square Flange	Copper	A34401-ND	86.35	65.63	58.72	1057343-1
N Jack to SMA Plug	Copper	A34421-ND†	101.48	77.13	69.01	1058664-1
N Jack to TNC Plug	Copper	A34425-ND†	123.10	93.56	83.71	1058671-1
N Jack to SMA Plug Square Flange	Copper	A34426-ND	84.83	64.47	57.69	1057385-1
N Plug to BNC Jack	Brass	A34434-ND	98.65	74.98	67.09	1057390-1
N Plug to TNC Plug	Brass	A34437-ND†	109.73	83.40	74.62	1058662-1

† High Frequency

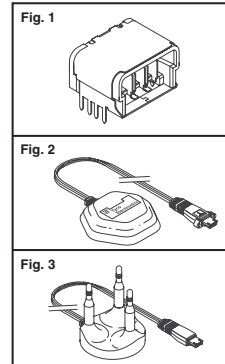
NEW! QSL Cables and Antennas

Features: • Low profile • Highly reliable ruggedized interface • Surface mount technology • Excellent price-to-performance ratio **Applications:** • Replacements for SMA, BNC and other RF connectors • Mobile antenna/GPS/Radio systems • PDA/PCS/Handheld applications • Wireless communications systems • Satellite communications, broadcast, multimedia • Automotive telematics • WiFi, WiMax antenna mobility and communications • Broadcast/set top box and integration media • PCIe and WNIC cards



Fig.	Description	Digi-Key Part No.	1	Pricing 25	50	Digi-Key Part No.	T & R Pricing 270	Tyco Electronics Part No.
PCB Receptacles								
1	Three port QSL without Flange	A99115CT-ND†	12.84	275.95	487.73	A99115TR-ND	2079.27	2016032-1
	Three port QSL with Flange	A99116CT-ND†	12.84	275.95	487.73	A99116TR-ND	2079.27	1274824-2
Test Boards								
—	Test Board with Receptacle, QSL to SMA	A99117-ND	109.27	2349.25	4152.17	—	—	1513743-1
—	Test Board with Receptacle, QSL to UMCC	A99118-ND	40.95	880.40	1556.05	—	—	2016008-1
—	Test Dongle, QSL to SMA	A99119-ND	54.50	1171.75	2071.00	—	—	2032605-1
QSL Cable Assembly								
—	Three Port Jumper Plug	A99120-ND	8.58	184.36	325.85	—	—	2015518-1
—	Three Port Pigtail Plug	A99121-ND	8.45	181.68	321.10	—	—	2053075-1
QSL Antenna Assembly								
2	802.11a/b/g/n and WiMax without Flange	A99130-ND	24.25	521.38	921.50	—	—	1513711-1
3	802.11a/b/g/n and WiMax with Flange	A99131-ND	25.50	548.25	969.00	—	—	1513712-1
—	MIMO 802.11a/b/g/n	A99132-ND	26.53	570.29	1007.95	—	—	1513837-1

† Cut Tape



More Product Available Online: www.digikey.com