

UHF Coaxial Connectors

Fig.	Description	Cable Group RG/U	Military Part No.	Digi-Key Part No.	1	25	100	Amphenol Part No.
1	Plug	8, 9, 87A, 214, 313, 225	PL-259/U	ARF1000-ND	7.57	3.06	2.75	83-1SP-1050
	Plug (TFE Insul.)	8, 9, 87A, 214, 313, 225	PL-259	ARFX1000-ND	3.35	1.60	1.47	83-1SP-15RFX
	Plug (Crimp or Solder)	8, 9, 87A, 214, 313, 225	—	ARF1001-ND	9.48	3.52	3.11	83-822
2	Plug (Crimp or Solder)	58, 141, 142	—	ARFX1002-ND	4.24	2.01	1.93	83-58FCP-RFX
	Reducing Adapter	58, 141, 142	UG-175	ARFX1003-ND	.81	.40	.38	83-185-RFX
3	Reducing Adapter	59, 62, 71, 140, 210	UG-176	ARFX1004-ND	.62	.31	.29	83-168-RFX
	Panel Receptacle	—	—	SO-239/U	6.73	2.50	2.07	83-1R
4	Panel Receptacle	—	—	SO-239	3.97	2.47	2.24	83-1R-RFX
	Panel Mount (TFE Insul.)	—	—	SO-239/A	10.95	4.06	3.43	83-798
5	Panel Mount Hood	58, 141	UG-177	ARF1167-ND	6.24	4.16	3.20	83-765
6	Bulkhead Receptacle	—	—	ARF1006-ND	26.88	12.23	10.34	83-875-1002
7	Bulkhead Receptacle	—	—	ARF1007-ND	6.98	4.83	3.62	83-878
	Bulkhead Receptacle	—	—	ARFX1007-ND	5.91	3.84	3.10	83-878-RFX
8	Straight/Jack-Jack	—	PL-258/U	ARF1008-ND	12.85	7.06	6.00	83-1J
9	Bulkhead/Jack-Jack	—	UG-363/U	ARF1009-ND	37.66	13.95	12.01	83-1F
10	Angle/Jack-Plug	—	UG-646/U	ARF1010-ND	22.03	9.26	8.35	83-1AP
11	Teel/Jack-Plug-Jack	—	M-358	ARF1011-ND	14.76	10.74	9.95	83-1T

◆ RoHS Compliant † RFX connectors. RFX is specifically designed for applications that do not require performance above 1 to 3 GHz. RFX connectors are not for use in military system applications. RFX connectors are generally less expensive than MIL-Spec and industry standard connectors.

Mini UHF Connector



Fig.	Description	Cable Group RG/U	Digi-Key Part No.	1	25	100	Amphenol Part No.
12	Plug (Crimp tools below)	58, 58A, 58C, 141, 303	ARF1092-ND	4.52	2.81	2.55	81-115N-1000

Between Series Adapters

Fig.	Description	Military Part No.	Digi-Key Part No.	1	25	100	Amphenol Part No.
13	BNC Jack to N Plug	UG-201A/U	ARF1096-ND	16.97	7.47	7.15	31-216
	RFX - BNC Jack to N Plug	UG-201A/U	ARFX1096-ND	15.63	10.71	9.08	31-216-RFX
14	BNC Jack to TNC Plug	—	ARF1098-ND	24.72	18.54	18.14	79675
15	BNC Jack to UHF Plug	UG-273/U	ARF1099-ND	21.44	15.83	14.55	31-28
	RFX - BNC Jack to UHF Plug	UG-273/U	ARFX1099-ND	43.91	28.15	27.25	31-28-RFX
16	BNC Plug to N Jack	UG-349A/U	ARF1102-ND	19.99	9.65	9.23	31-217
	RFX - BNC Plug to N Jack	UG-349A/U	ARFX1102-ND	23.48	14.81	13.80	31-217-RFX
17	BNC Plug to SMA Jack	—	ARF1103-ND	90.10	39.63	37.91	901-165
18	BNC Plug to TNC Jack	—	ARF1104-ND	32.66	25.13	24.02	79025
19	BNC Plug to UHF Jack	UG-255/U	ARF1105-ND	29.42	12.94	12.38	2900
20	N Plug to SMA Jack	—	ARF1106-ND	114.31	57.75	55.84	901-294
21	N Plug to UHF Jack	UG-146/U	ARF1107-ND	25.04	11.96	11.44	4400

◆ RoHS Compliant

ECONOHEX™ Crimp Tools and Dies

Fig.	Description	Digi-Key Part No.	Price Each	Amphenol Part No.
CTL Series Crimp Tools (Die Set Included)				
22	Crimp Tool - RG 58, 59, 62, Plenum 59, 62	ARF1116-ND	54.55	CTL-1
	Crimp Tool - RG 174, Belden 8281	ARF1117-ND	54.55	CTL-2
	Crimp Tool - RG 58, 8, 213	ARF1118-ND	54.55	CTL-3
	Crimp Tool - RG 55, 58, 59, 62, 140, 141, 142, 210, 223, 303, 400, Plenum 59, 62	ARF1183-ND	54.55	CTL-5
Crimp Tool and Dies				
22	Tool Handle without Dies	ARF1108-ND	141.77	227-987
23	Crimp Die Set - RG 174, 179, 187, 188, 316	ARF1111-ND	89.48	227-1418

**UMCC — Ultraminiature Coax
Connector and Cable Assembly Series**



Features:

- 360° mated rotation • Ultra low profile (2.0mm or 2.5mm maximum mated height) • Surface mount and reflow solderable • Style A receptacles mate with HIROSE U.FL/U.FL(v) series connectors • Style B receptacles mate with MURATA GSC series connectors

Specifications:

- Characteristic Impedance: 50Ω • Frequency Range: DC - 6GHz
- Durability: 30 cycles • Operating Temperature: -40°C - 90°C

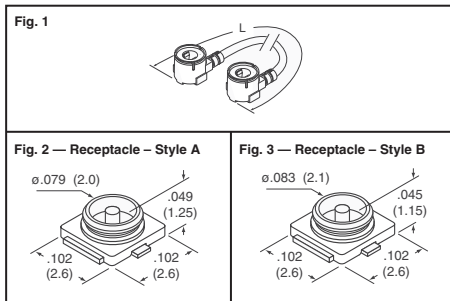


Fig.	Description	Dim. L (mm)	Digi-Key Part No.	1	25	50	Tyco Electronics Part No.
1	Double Ended Cable Assembly, Type I	200	A36221-ND	4.08	3.51	3.10	2015697-2
	Double Ended Cable Assembly, Type II	200	A36223-ND	4.00	3.44	3.04	2015698-3
	Double Ended Cable Assembly, Type III	100	A36224-ND	2.13	1.83	1.62	2015699-1
		200	A36225-ND	4.08	3.51	3.10	2015699-2
		100	A36226-ND	3.80	3.27	2.89	2015700-1
		200	A36227-ND	3.78	3.25	2.87	2015700-2
		100	A36228-ND	3.88	3.34	2.95	2015357-3
200	A36229-ND	4.40	3.79	3.35	2015357-4		
—	UMCC Plug - FME Plug, Type III	200	A36230-ND	18.95	16.30	14.41	2032438-1
	UMCC Plug - SMA Plug, Type III	200	A36231-ND	9.93	8.54	7.55	2032439-1
	UMCC Plug - SMA Bulkhead Jack, Type III	200	A36232-ND	24.20	20.82	18.40	2032440-1
	UMCC Plug - MCX Right Angle Plug, Type II	200	A36233-ND	23.28	20.02	17.69	2032441-1
	UMCC Plug - MCX Right Angle Plug, Type III	200	A36234-ND	23.28	20.02	17.69	2032442-1
	UMCC Plug - MMCX Right Angle Plug, Type II	200	A36235-ND	25.95	22.32	19.73	2032443-1
UMCC Plug - MMCX Right Angle Plug, Type III	200	A36236-ND	25.95	22.32	19.73	2032444-1	
2	UMCC Receptacle - Style A, Type II/III, SMD	—	A36237CT-ND† A36237TR-ND‡	1.23 1225.00/2,500	.79	.70	1566230-1 1566230-1
	3	UMCC Receptacle - Style B, Type I, SMD	—	A36238CT-ND† A36238TR-ND‡	1.40 1400.00/2,500	.90	.80
—		UMCC Plug - SMA Jack Adapter, Type I	—	A36239-ND	50.75	43.65	38.57
	UMCC Plug - SMA Jack Adapter, Type II/III	—	A36240-ND	50.75	43.65	38.57	1775230-1
—	UMCC Jack Receptacle - SMA Plug Adapter, Type I	—	A36241-ND	50.75	43.65	38.57	1775228-1
	UMCC Jack Receptacle - SMA Plug Adapter, Type II/III	—	A36242-ND	50.75	43.65	38.57	1775227-1
—	Extraction Tool	—	A36243-ND	4.10	3.53	3.12	1775231-1

† Cut Tape ‡ Tape and Reel

Digi-Reel® Most SMT cutdown parts are available on a Digi-Reel®. For Digi-Reel part number, change 1-ND to 6-ND or CT-ND to DKR-ND. See Digi-Key® Services on page 2 for additional information.

More Product Available Online: www.digikey.com

Toll-Free: 1-800-344-4539 • Phone 218-681-6674 • Fax: 218-681-3380