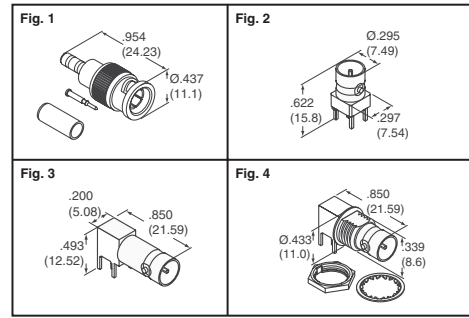


**Mini BNC Connectors**

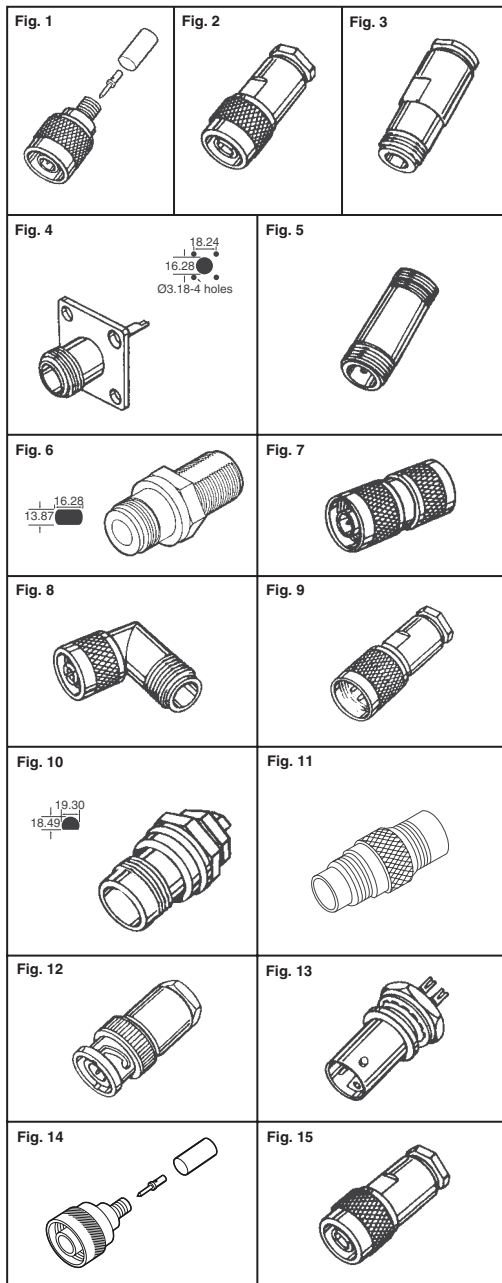
Dimensions Inch (mm)

The Mini BNC series provides the same positive locking bayonet system found on the BNC and allows 40% more interconnects in the same area. **Specifications:** **Electrical:** • Impedance: 75Ω • Frequency Range: DC-4 GHz • Voltage Rating: 500v **Mechanical:** • Connector Durability: 500 cycles **Environmental:** • Temperature Range: -40°C - 85°C

Fig.	Description	Contact Plating	Body Plating	Cable Group RG/U	Digi-Key Part No.	Price Each				Amphenol Part No.
						1	10	25	100	
1	Plug (Crimp)	Gold	Nickel	735A	ARF1548-ND	8.20	6.09	5.01	4.30	031-70251
				Belden 8218	ARF1549-ND	8.20	6.09	5.01	4.30	031-70260
				RG-179/U, 187A/U	ARF1550-ND	8.20	6.09	5.01	4.30	031-70261
2	Jack, Vertical	Gold	Gold	—	ARF1551-ND	5.29	4.63	4.14	3.44	031-70250
			Nickel	—	ARF1552-ND	4.49	3.33	2.87	2.66	031-70249
3	Jack, R/A	Gold	Nickel	—	ARF1553-ND	8.37	6.20	5.04	4.26	031-70255
4	Jack, Bulkhead R/A	Gold	Nickel	—	ARF1554-ND	9.19	6.81	5.54	4.66	031-6055



**A**



**Type N Coaxial Connectors**

Fig.	Description	Cable Group RG/U	Military Part No.	Digi-Key Part No.	Price Each			Amphenol Part No.
					1	25	100	
1	Plug (Crimp)†	8, 213	M39012/10B-0007	ARF1013-ND	17.28	7.82	6.93	82-340
	Plug (Crimp)	9, 214	—	ARF1163-ND	14.94	10.83	9.46	82-332
	Plug (Crimp)	55, 142, 223	—	ARF1164-ND	12.08	8.56	7.27	82-5370
2	Plug (Clamp)	8, 9, 144, 165, 213, 214, 216, 225	UG-21D/U	ARF1014-ND	13.17	11.94	9.96	82-202
	Plug (Clamp)	8, 9, 144, 165, 213, 214, 216, 225	UG-1185	ARF1161-ND	10.81	6.65	5.94	82-312
	Plug (Clamp)	58, 141, 142	UG-536B/U	ARF1016-ND	11.64	7.83	7.48	34025
	Plug (Clamp)	58, 141, 142	UG-536B	ARFX1016-ND*	11.77	4.15	3.52	34025-RFX
3	Plug (Clamp)	8, 9, 144, 165, 213, 214, 216, 225	—	ARF1020-ND	12.29	5.92	5.53	82-202-1006
	Plug (Clamp)	8, 9, 144, 165, 213, 214, 216, 225	UG-21D	ARFX1183-ND*	7.95	3.84	3.64	82-202-RFX
3	Jack (Clamp)	8, 9, 87A, 144, 165,	UG-23B/U	ARF1021-ND	19.12	13.16	9.22	82-63
4	Panel Receptacle	—	UG-58A/U	ARF1023-ND	12.85	7.07	6.56	82-97
	Panel Receptacle	—	UG-58A	ARFX1023-ND*	6.22	3.00	2.81	82-97-RFX
	Panel Receptacle	—	UG-58	ARF1160-ND	15.37	7.39	7.06	82-24
5	Straight/Jack-Jack	—	UG-29B/U	ARF1025-ND	17.21	11.87	7.79	82-101
	Straight/Jack-Jack	—	UG-29B	ARFX1025-ND*	7.79	3.78	3.60	82-101-RFX
6	Bulkhead/Jack-Jack	—	UG-30/U	ARF1026-ND	31.88	15.38	14.65	82-66
7	Straight/Plug-Plug	—	UG-57B/U	ARF1027-ND	16.66	11.48	7.54	82-100
	Straight/Plug-Plug	—	UG-57B	ARFX1027-ND*	12.08	5.46	5.23	82-100-RFX
8	Angle/Jack-Plug	—	UG-27A	ARF1028-ND	35.08	16.91	16.09	82-64

\* RFX connectors  
† Crimp tools are listed within the RF and RFX Connectors section.

**Twinaxial Connectors**

Fig.	Description	Cable Group RG/U	Military Part No.	Digi-Key Part No.	Price Each			Amphenol Part No.
					1	25	100	
9	Plug (Clamp)	AA-6076, AA-6079	—	ARFX1031-ND*	9.95	4.81	4.56	82-5589-RFX
10	Receptacle	—	—	ARFX1035-ND*	14.00	6.74	6.43	82-5590-RFX
11	Adapter/Jack-Jack	IBM 7362230	—	ARFX1036-ND*	10.62	5.12	4.87	82-5588-RFX
12	BNC Plug/Twinax - Noryl	108A	—	ARF1037-ND	15.21	6.88	6.57	31-224
	BNC Plug/Twinax - TFE	108A	—	ARF1133-ND	25.21	11.42	10.88	31-2226
13	BNC Bulkhead/Twinax - Noryl	—	—	ARF1038-ND	28.03	12.69	12.10	31-223
	BNC Bulkhead/Twinax - TFE	—	—	ARF1132-ND	24.88	11.27	10.74	31-2225

**TNC Coaxial Connectors**

Fig.	Description	Cable Group RG/U	Military Part No.	Digi-Key Part No.	Price Each			Amphenol Part No.
					1	25	100	
14	Plug (Quick Crimp)‡	—	—	ARF1081-ND	7.95	3.61	3.38	36825
	Plug (MIL-Crimp)	142, 223	—	ARF1135-ND	6.74	3.14	2.92	31-2373
	Plug (Crimp)‡	59, 62	M23329/4-05	ARF1084-ND	6.61	3.08	2.85	31-2368
15	Plug (Clamp)	58, 141, 142A	—	ARFX1082-ND*	2.80	1.44	1.37	79875-RFX

‡ Crimp tools are listed within the RF and RFX Connectors section.  
\* RFX™ is specifically designed for applications that do not require performance above 1 to 3 GHz. RFX™ connectors are not for use in military system applications. RFX™ connectors are generally less expensive than MIL-Spec and industry standard connectors.