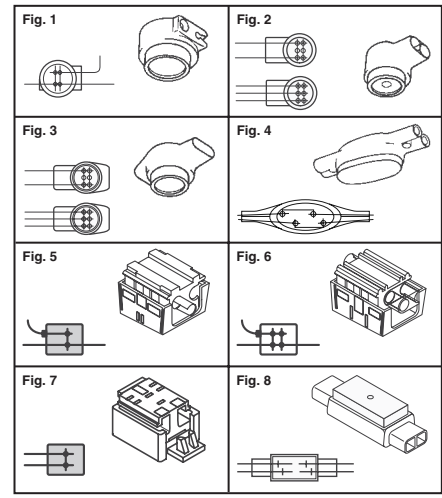


3M Scotchlok™ Discrete Connectors and Tools



Features: 3M™ Scotchlok™ connectors have been providing ease of use and proven high quality reliability for over 50 years. With a "U" element and IDC design, they continue to be effective for transmitting broadband services with performance up to 100MHz. They are available for butt, in-line or tap splicing of solid copper or aluminum conductors and have a wide selection of tools to meet all discrete splicing needs.

Fig.	Maximum Insulation (mm)	Wire AWG	Use Tool # (below)	Gel Filled	Wire Count	Digi-Key Part No.	Pricing			3M Part No.
							1	10	100	
1	1.67 Butt 1.12 Tap	26 - 19 Butt 26 - 22 Tap	1, 2, 3, 4, 5	Yes	2-Wire	UG20082-ND†	.49	3.69	27.65	UG(BX)*
2	1.52	26 - 22	1, 2, 3, 4, 5	Yes	2-Wire	UCC1000-ND†‡★	.33	2.46	18.43	UCC(BULK)*
	1.52	26 - 22	1, 2, 3, 4, 5	No	2-Wire	UP2000-ND★▲	.29	2.15	16.13	UP2-BULK
	1.52	26 - 22	1, 2, 3, 4, 5	No	2-Wire	UPC1000-ND†‡▲	.74	5.53	41.47	UPC(BULK)
	2.08	26 - 19	1, 2, 3, 5	Yes	2 or 3-Wire	UR2000-ND†‡	.29	2.15	16.13	UR2-BULK*
	2.08	26 - 19	1, 2, 3, 4, 5	Yes	2-Wire	UY2000-ND†‡	.25	1.84	13.82	UY2-BOX*
	2.08	26 - 19	6	No	2-Wire	UY2100-ND‡§	.21	1.56	13.88	UY2-D(CART)
3	2.08	20 - 17AL 24 - 19CU	1, 2, 3, 5	Yes	2 or 3-Wire	UAL27827-ND†	.86	6.45	48.38	UAL(BX)
	2.08	20 - 17AL 24 - 19CU	6	Yes	2 or 3-Wire	UAL27828-ND†§	—	53.87	478.80	UAL(CART)
	1.52	26 - 19	1, 2	Yes	2 or 3-Wire	UR20074-ND†	.33	2.46	18.43	UR(BX)*
4	3.18	19 - 16	5	Yes	4-Wire	U1B1000-ND†	4.20	31.50	236.25	U1B(BX)
	3.18	24 - 19	5	Yes	4-Wire	U1R20017-ND†	4.20	31.50	236.25	U1R(BX)
5	1.27	26 - 22	1, 2, 3, 4, 5	No	2-Wire	UPB1000-ND▲	.41	3.07	23.04	UPB(BULK)
	2.08	26 - 19	1, 2, 3, 4, 5	Yes	2-Wire	UB2A1000-ND†‡	.33	2.46	18.43	UB2A-BOX*
6	2.08	26 - 19	1, 2, 3, 4, 5	No	2-Wire	UB2A1100-ND▲‡	.37	2.77	20.75	UB2A-D-BOX
	2.08	26 - 19	1, 2	Yes	2-Wire	U2A1000-ND†‡	.49	3.69	27.65	211(BX)*
8	4.4	19 - 16	5	Yes	4-Wire	UDW2000-ND†	4.67	35.02	262.67	UDW2

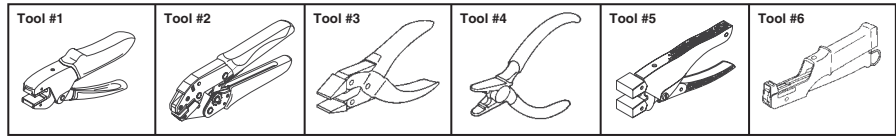


A

† Moisture Resistant ‡ Clearing Caps, No electrical connection ★ Single Element ▲ Dry/Flame Retardant ‡ Solvent Resistant ‡ Dry § UY2100-ND - 12 per carton, UAL27828-ND - 10 per carton

Tools

Tool #	Mechanical Advantage	Digi-Key Part No.	Price Each	3M Part No.
1	10:1	E-9J-ND	43.76	E-9J
2	10:1	E-9R-ND§	97.85	E-9R
3	4:1	E-9E-ND	36.23	E-9E
4	3:1	E-9Y-ND§	29.93	E-9Y
5	10:1	E-9BM-ND	63.68	E-9BM
6	7:1	E-9C-ND	168.44	E-9C



§ Integrated Wire Cutter

NEW! Splice Enclosures



Description	Maximum Cable Diameter — Inch (mm)	Digi-Key Part No.	Price Each		3M Part No.
			1	10	
Enclosures					
5-Pair Kit with Encapsulant	0.35 (8.89)	3M9045-ND	11.84	8.88	3832
6-Pair Kit with Pull N' Shrink Tubing	0.45 (11.43)	3M9046-ND	44.00	33.00	3838-PST/GEL
5-Pair Kit with Encapsulant Filled Body	0.425 (10.795)	3M9047-ND	14.54	10.91	SLIC-5-BSW
4-Pair Kit with Encapsulant	0.625 (15.875)	3M9048-ND	23.78	17.84	8981-8882/HIGHGEL
18-Pair Kit with Encapsulant	1.0 (25.4)	3M9049-ND	49.22	36.92	8982-8882/HIGHGEL
50-Pair Kit without Encapsulant	0.7, 1.2 (17.78, 30.48)	3M9050-ND	110.60	82.95	BB2X12-8882/HIGHGEL
100-Pair Kit without Encapsulant	0.7, 1.2 (17.78, 30.48)	3M9051-ND	159.86	119.90	BB2X24-8882/HIGHGEL
200-Pair Kit without Encapsulant	1.0, 1.6 (25.4, 40.64)	3M9052-ND	273.34	205.01	BB3X24-8882/HIGHGEL
Accessories					
Re-enterable Encapsulant 521 mL	—	3M9053-ND	13.92	10.44	8882-500C
EZ Wrap Tape 4" X 100' 3.0 MIL	—	3M9054-ND	6.26	4.70	2183
Grounding Braid 1/2" X 25'	—	3M9055-ND	63.10	47.33	25T-GB
Shield Connector with Shoe	—	3M9056-ND	1.42	1.07	4462-SNA

Note: Please see Digi-Key's website for photos and specifications.



Wire Terminals

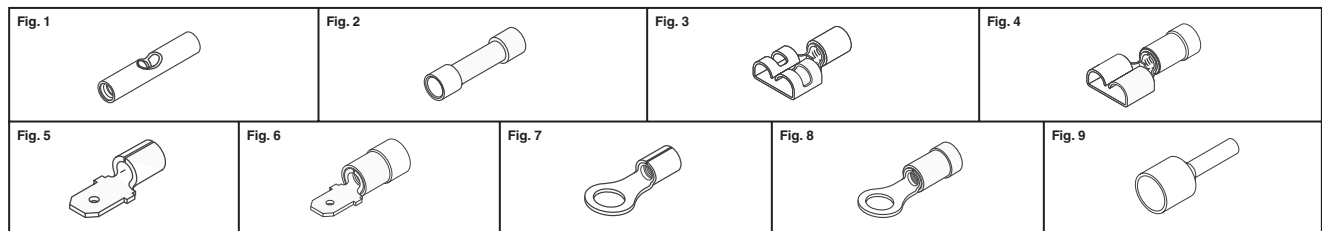


Fig.	Description	Approvals	Digi-Key Part No.	Pricing		Panduit Part No.	Digi-Key Part No.	Pricing		Panduit Part No.
				50	100			500	1,000	
Butt Splices										
1	Butt Splice, Non-Insulated, 12 - 10AWG	UL, CSA	298-9981-ND	29.57	—	BS10-L	298-9980-ND	113.36	—	BS10-D
	Butt Splice, Non-Insulated, 16 - 14AWG	UL, CSA	298-9982-ND	—	46.17	BS14-C	298-9983-ND	—	135.93	BS14-M
	Butt Splice, Non-Insulated, 22 - 18AWG	UL, CSA	298-9984-ND	—	44.41	BS18-C	298-9985-ND	—	142.82	BS18-M
	Butt Splice, Non-Insulated, 26 - 22AWG	—	298-9986-ND	—	61.81	BS22-C	298-9987-ND	—	1458.15	BS22-M

(Continued)

More Product Available Online: www.digikey.com

Toll-Free: 1-800-344-4539 • Phone 218-681-6674 • Fax: 218-681-3380