

3M Terminals, Tools, Lugs and Connectors (Cont.)

A

Fig.	AWG	Stud Size	Insul. Dia. Inch (mm)	Digi-Key Part No.	Pricing			3M Part No.		
					10	50	100			
24	16-14 Blue	3/8 #6	.170 (4.32)	920010-53-ND	10.25	42.22	66.35	261.77	MH14-38RK	
25		—	—	920024-30-ND	9.41	38.73	60.87	240.14	MH14-6FLK	
26		—	—	—	920030-11-ND	8.85	32.22	56.87	233.78	MH14BCK
24	12-10 Yellow	1/4 #8	.250 (6.35)	920010-55-ND	9.76	35.56	62.76	258.00	MH10-14RK	
25		—	—	920024-34-ND	9.30	33.87	59.76	245.69	MH10-8FLK	
25		—	—	—	920024-35-ND	9.30	33.87	59.76	245.69	MH10-10FLK
26		—	—	—	920030-12-ND	11.42	41.60	73.42	301.82	MH10BCK
27		—	—	—	920042-13-ND	13.58	49.46	87.28	358.83	MNHU10-250DMIK
27	22-18	—	.250	920042-11-ND	11.30	41.17	72.66	298.70	MNHU18-250DMIK	
27	16-14	—	.250	920042-12-ND	11.30	41.17	72.66	298.70	MNHU14-250DMIK	
28	22-18	—	.250	920044-18-ND	11.30	41.17	72.66	298.70	MNHU18-250DFIK	
28	16-14	—	.250	920044-19-ND	11.30	41.17	72.66	298.70	MNHU14-250DFIK	
29	22-18	—	.250	920074-01-ND	4.39	16.00	28.24	116.09	951K	
29	18-14	—	.150 (3.81)	920074-02-ND	4.39	16.00	28.24	116.09	952K	
29	12	—	—	920074-03-ND	4.73	17.23	30.40	124.99	953K	
30	22-16	—	.120 (3.05s)	920074-06-ND	5.26	19.15	33.80	138.94	557 (BOXED)	
31	18-14	—	.120 (3.05s)	920074-07-ND	5.49	19.99	35.28	145.04	558 (BOXED)	
32	18-14 Blue	—	.145 (3.68)	920074-08-ND	3.34	12.15	21.44	88.15	560 (BOXED)	
923000-I-ND				3M Insulated Terminal Kit — 650 assorted terminals (14 sizes), 200 cable ties (100 each, 2 sizes), one wire marker dispenser, one crimping tool, one reusable metal box, one reordering information card..... \$224.17						

Connectors and Crimp Tools

Fig.	AWG	Description	Color	Digi-Key Part No.	Pricing			3M Part No.	
					10	50	100		
Scotchlok™ Connectors									
35	18-10	End Electrical	Clear	920030-14-ND	3.60	13.11	23.13	95.09	MN10CEC/STK
35	14-8	—	Gray	920090-01-ND	7.21	26.28	46.37	190.63	G-BULK
35	22-10	Nylon Spring Connector	Yellow	920074-04-ND	1.95	7.10	12.53	51.52	312-BULK
35	20-8	—	Red	920074-05-ND	2.56	9.32	16.45	67.65	512-BULK
36	12-8	Spring Connector	Blue/Green	920090-04-ND	8.32	30.32	53.51	219.97	B/G+BOX
35	22-12		Orange/Blue	920090-05-ND	2.15	7.83	13.82	56.80	O/B+BOX
36	18-8	—	Red/Yellow	920090-06-ND	3.42	12.44	21.96	90.28	R/Y+BOX
36	22-8	—	Tan/Red	920090-07-ND	2.95	10.74	18.95	77.89	T/R+BOX
Crimp Tools									
—	22-10	Ratcheting	—	TR-482-ND	261.09/1			TR-482	
37	26-6	Scissor Style Ratcheting	—	TH-450-ND	62.03/1			TH-450	
—	22-10	Ratcheting	—	TR-490-ND	217.58/1			TR-490	

◆ RoHS Compliant

Terminals

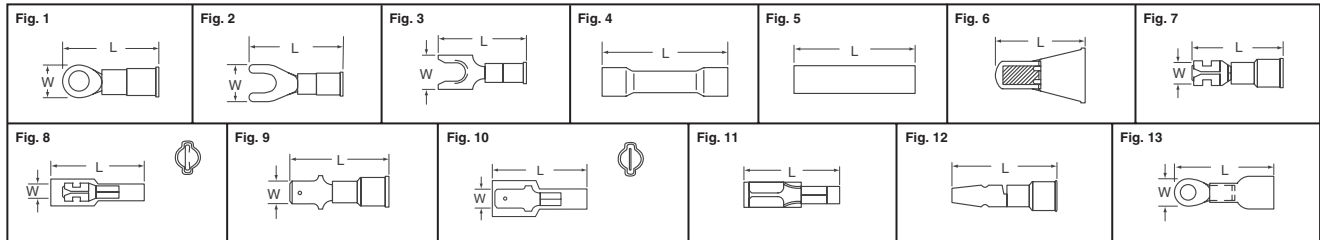


Fig.	AWG	Stud Size	Dim. - Inch		Digi-Key Part No.	Pricing			3M Part No.	
			L	W		10	50	100		
Vinyl Insulated Butted Seam Ring Tongue Terminals										
1	22-18 Red	#6	0.80	0.25	94725-01-ND	1.69	6.16	10.87	44.68	94725
		#8	0.90	0.33	94727-01-ND	1.69	6.16	10.87	44.68	94727
		#10	0.90	0.33	94717-01-ND	1.69	6.16	10.87	44.68	94717
		1/4	1.08	0.47	94719-01-ND	2.02	7.34	12.96	53.28	94719
	16-14 Blue	#6	0.90	0.33	94736-01-ND	1.69	6.16	10.87	44.68	94736
		#8	0.90	0.33	94739-01-ND	1.69	6.16	10.87	44.68	94739
		#10	0.90	0.33	94729-01-ND	1.69	6.16	10.87	44.68	94729
		1/4	1.08	0.47	94731-01-ND	2.02	7.34	12.96	53.28	94731
	12-10 Yellow	5/16	1.08	0.47	94735-01-ND	2.39	8.72	15.39	63.27	94735
		3/8	1.13	0.56	94733-01-ND	2.39	8.72	15.39	63.27	94733
		#6	0.98	0.28	94751-01-ND	2.08	7.57	13.37	54.95	94751
		#8	1.03	0.38	94753-01-ND	2.25	8.19	14.45	59.39	94753
Nylon Insulated with Insulation Grip Ring Tongue Terminals — RoHS Compliant										
1	28-18 Red	#6	0.79	0.25	94724-01-ND	2.58	9.38	16.56	68.08	94724
		#8	0.89	0.33	94726-01-ND	2.58	9.38	16.56	68.08	94726
	16-14 Blue	#10	0.89	0.33	94728-01-ND	2.58	9.38	16.56	68.08	94728
		5/16	1.09	0.47	94734-01-ND	2.78	10.14	17.89	73.54	94734
Nylon Insulated Brazed Seam Ring Tongue Terminals										
1	8 Red	1/4	1.26	0.47	94754-01-ND	8.30	30.24	53.37	219.41	94754
		3/8	1.58	0.63	94759-01-ND	8.05	29.33	51.75	212.75	94759
	4 Yellow	3/8	1.74	0.68	94763-01-ND	13.49	60.35	99.40	390.50	94763
		1/2	1.74	0.68	94764-01-ND	14.30	63.96	105.35	413.88	94764
Vinyl Insulated Butted Seam Fork Terminals										
2	22-18 Red	#6	0.90	0.34	94769-01-ND	1.63	5.95	10.51	43.20	94769
		#8	0.90	0.34	94771-01-ND	1.63	5.95	10.51	43.20	94771
	16-14 Blue	#6	0.90	0.34	94775-01-ND	1.63	5.95	10.51	43.20	94775
		#8	0.90	0.34	94777-01-ND	1.63	5.95	10.51	43.20	94777
Vinyl Insulated Butted Seam Locking Fork Terminals										
3	22-18 Red	#6	0.88	0.25	94865-01-ND	1.77	6.44	11.36	46.71	94865
		#8	0.88	0.30	94867-01-ND	1.77	6.44	11.36	46.71	94867
	16-14 Blue	#6	0.88	0.25	94873-01-ND	1.77	6.44	11.36	46.71	94873
		#8	0.88	0.30	94875-01-ND	1.77	6.44	11.36	46.71	94875
Nylon Insulated with Insulation Grip Locking Fork Terminals — RoHS Compliant										
3	22-18 Red	#6	0.87	0.25	94864-01-ND	2.71	9.86	17.39	71.50	94864
		#8	0.87	0.30	94866-01-ND	2.71	9.86	17.39	71.50	94866
	16-14 Blue	#8	0.89	0.30	94874-01-ND	2.35	8.57	15.12	62.16	94874
Vinyl Insulated Butted Seam Butt Connectors										
4	22-18 Red	—	1.02	—	94785-01-ND	1.77	6.44	11.36	46.71	94785
		16-14 Blue	—	1.02	—	94788-01-ND	1.77	6.44	11.36	46.71
	12-10 Yellow	—	1.05	—	94791-01-ND	2.20	8.01	14.13	58.09	94791
Vinyl Insulated Brazed Seam Butt Connectors — RoHS Compliant										
4	8 Red	—	1.43	—	94793-01-ND	7.01	25.55	45.09	185.37	94793
Nylon Insulated with Insulation Grip Butt Connectors — RoHS Compliant										
4	22-18 Red	—	1.01	—	94784-01-ND	5.10	18.56	32.76	134.68	94784
Nylon Insulated Seamless Butt Connectors — RoHS Compliant										
5	22-18 Red	—	1.02	—	94786-01-ND	2.51	9.15	16.16	66.42	94786

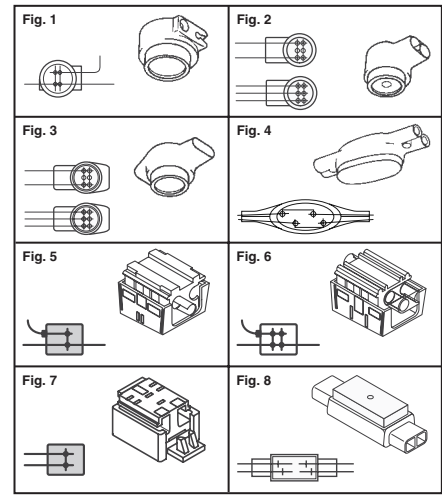
Fig.	AWG	Stud Size	Dim. - Inch		Digi-Key Part No.	Pricing			3M Part No.		
			L	W		10	50	100			
5	16-14 Blue	—	—	1.02	—	94789-01-ND	2.51	9.15	16.16	66.42	94789
		12-10 Yellow	—	—	—	94792-01-ND	3.21	11.68	20.61	84.73	94792
Nylon Insulated Closed End Connectors — RoHS Compliant											
6	22-16	—	0.83	—	722-N-A-ND	1.46	5.32	9.40	38.63	722-N-A	
		18-10	—	0.85	—	94796-01-ND	1.99	7.24	12.78	52.54	94796
Vinyl Insulated Butted Seam Female Disconnects											
7	22-18 Red	—	0.78	0.187	94800-01-ND	1.77	6.44	11.36	46.71	94800	
		—	0.87	0.250	94804-01-ND	1.77	6.44	11.36	46.71	94804	
		16-14 Blue	—	0.87	0.250	94821-01-ND	1.77	6.44	11.36	46.71	94821
Nylon Insulated with Insulation Grip Female Disconnects — RoHS Compliant											
7	22-18 Red	—	0.77	0.187	94797-01-ND	2.66	9.68	17.08	70.21	94797	
		—	0.86	0.250	94801-01-ND	2.66	9.68	17.08	70.21	94801	
		16-14 Blue	—	0.86	0.250	94818-01-ND	2.66	9.68	17.08	70.21	94818
Fully Nylon Insulated Butted Seam Female Disconnects — RoHS Compliant											
8	22-18 Red	—	0.81	0.187	94799-01-ND	2.89	10.52	18.56	76.31	94799	
		—	0.91	0.250	94803-01-ND	2.66	9.68	17.08	70.21	94803	
	16-14 Blue	—	0.81	0.187	94816-01-ND	2.89	10.52	18.56	76.31	94816	
		—	0.91	0.250	94820-01-ND	2.66	9.68	17.08	70.21	94820	
Vinyl Insulated Butted Seam Male Disconnects											
9	22-18 Red	—	0.85	0.187	94808-01-ND	1.77	6.44	11.36	46.71	94808	
		—	0.93	0.250	94812-01-ND	1.77	6.44	11.36	46.71	94812	
		16-14 Blue	—	0.93	0.250	94829-01-ND	1.77	6.44	11.36	46.71	94829
Nylon Insulated with Insulation Grip Male Disconnects — RoHS Compliant											
9	22-18 Red	—	0.84	0.187	94805-01-ND	2.66	9.68	17.08	70.21	94805	
		—	0.92	0.250	94809-01-ND	2.66	9.68	17.08	70.21	94809	
		16-14 Blue	—	0.86	0.187	94822-01-ND	2.31	8.42	14.85	61.05	94822
Fully Nylon Insulated Butted Seam Male Disconnects — RoHS Compliant											
10	22-18 Red	—	0.87	0.187	94807-01-ND	2.89	10.52	18.56	76.31	94807	
		—	0.98	0.250	94811-01-ND	2.66	9.68	17.08	70.21	94811	
	16-14 Blue	—	0.98	0.250	94828-01-ND	2.66	9.68	17.08	70.21	94828	
		12-10 Yellow	—	1.05	0.250	94836-01-ND	3.27	11.91	21.02	86.40	94836
Fully Nylon Insulated with Insulation Grip Male Disconnects — RoHS Compliant											
10	22-18 Red	—	0.95	0.250	94810-01-ND	3.34	12.15	21.44	88.15	94810	
		—	0.87	0.187	94823-01-ND	3.15	11.46	20.23	83.16	94823	
		16-14 Blue	—	0.95	0.250						

3M Scotchlok™ Discrete Connectors and Tools



Features: 3M™ Scotchlok™ connectors have been providing ease of use and proven high quality reliability for over 50 years. With a "U" element and IDC design, they continue to be effective for transmitting broadband services with performance up to 100MHz. They are available for butt, in-line or tap splicing of solid copper or aluminum conductors and have a wide selection of tools to meet all discrete splicing needs.

Fig.	Maximum Insulation (mm)	Wire AWG	Use Tool # (below)	Gel Filled	Wire Count	Digi-Key Part No.	Pricing			3M Part No.
							1	10	100	
1	1.67 Butt 1.12 Tap	26 - 19 Butt 26 - 22 Tap	1, 2, 3, 4, 5	Yes	2-Wire	UG20082-ND†	.49	3.69	27.65	UG(BX)*
2	1.52	26 - 22	1, 2, 3, 4, 5	Yes	2-Wire	UCC1000-ND†‡★	.33	2.46	18.43	UCC(BULK)*
	1.52	26 - 22	1, 2, 3, 4, 5	No	2-Wire	UP2000-ND★▲	.29	2.15	16.13	UP2-BULK
	1.52	26 - 22	1, 2, 3, 4, 5	No	2-Wire	UPC1000-ND†‡▲	.74	5.53	41.47	UPC(BULK)
	2.08	26 - 19	1, 2, 3, 5	Yes	2 or 3-Wire	UR2000-ND†‡	.29	2.15	16.13	UR2-BULK*
	2.08	26 - 19	1, 2, 3, 4, 5	Yes	2-Wire	UY2000-ND†‡	.25	1.84	13.82	UY2-BOX*
	2.08	26 - 19	6	No	2-Wire	UY2100-ND‡§	.21	1.56	13.88	UY2-D(CART)
3	2.08	20 - 17AL 24 - 19CU	1, 2, 3, 5	Yes	2 or 3-Wire	UAL27827-ND†	.86	6.45	48.38	UAL(BX)
	2.08	20 - 17AL 24 - 19CU	6	Yes	2 or 3-Wire	UAL27828-ND†§	—	53.87	478.80	UAL(CART)
	1.52	26 - 19	1, 2	Yes	2 or 3-Wire	UR20074-ND†	.33	2.46	18.43	UR(BX)*
4	3.18	19 - 16	5	Yes	4-Wire	U1B1000-ND†	4.20	31.50	236.25	U1B(BX)
	3.18	24 - 19	5	Yes	4-Wire	U1R20017-ND†	4.20	31.50	236.25	U1R(BX)
5	1.27	26 - 22	1, 2, 3, 4, 5	No	2-Wire	UPB1000-ND▲	.41	3.07	23.04	UPB(BULK)
	2.08	26 - 19	1, 2, 3, 4, 5	Yes	2-Wire	UB2A1000-ND†‡	.33	2.46	18.43	UB2A-BOX*
6	2.08	26 - 19	1, 2, 3, 4, 5	No	2-Wire	UB2A1100-ND▲‡	.37	2.77	20.75	UB2A-D-BOX
	2.08	26 - 19	1, 2	Yes	2-Wire	U2A1000-ND†‡	.49	3.69	27.65	211(BX)*
8	4.4	19 - 16	5	Yes	4-Wire	UDW2000-ND†	4.67	35.02	262.67	UDW2

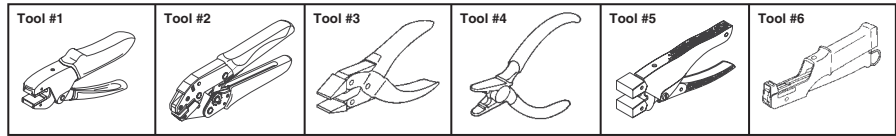


A

† Moisture Resistant ‡ Clearing Caps, No electrical connection ★ Single Element ▲ Dry/Flame Retardant ‡ Solvent Resistant ‡ Dry § UY2100-ND - 12 per carton, UAL27828-ND - 10 per carton

Tools

Tool #	Mechanical Advantage	Digi-Key Part No.	Price Each	3M Part No.
1	10:1	E-9J-ND	43.76	E-9J
2	10:1	E-9R-ND§	97.85	E-9R
3	4:1	E-9E-ND	36.23	E-9E
4	3:1	E-9Y-ND§	29.93	E-9Y
5	10:1	E-9BM-ND	63.68	E-9BM
6	7:1	E-9C-ND	168.44	E-9C



§ Integrated Wire Cutter

NEW! Splice Enclosures



Description	Maximum Cable Diameter — Inch (mm)	Digi-Key Part No.	Price Each		3M Part No.
			1	10	
Enclosures					
5-Pair Kit with Encapsulant	0.35 (8.89)	3M9045-ND	11.84	8.88	3832
6-Pair Kit with Pull N' Shrink Tubing	0.45 (11.43)	3M9046-ND	44.00	33.00	3838-PST/GEL
5-Pair Kit with Encapsulant Filled Body	0.425 (10.795)	3M9047-ND	14.54	10.91	SLIC-5-BSW
4-Pair Kit with Encapsulant	0.625 (15.875)	3M9048-ND	23.78	17.84	8981-8882/HIGHGEL
18-Pair Kit with Encapsulant	1.0 (25.4)	3M9049-ND	49.22	36.92	8982-8882/HIGHGEL
50-Pair Kit without Encapsulant	0.7, 1.2 (17.78, 30.48)	3M9050-ND	110.60	82.95	BB2X12-8882/HIGHGEL
100-Pair Kit without Encapsulant	0.7, 1.2 (17.78, 30.48)	3M9051-ND	159.86	119.90	BB2X24-8882/HIGHGEL
200-Pair Kit without Encapsulant	1.0, 1.6 (25.4, 40.64)	3M9052-ND	273.34	205.01	BB3X24-8882/HIGHGEL
Accessories					
Re-enterable Encapsulant 521 mL	—	3M9053-ND	13.92	10.44	8882-500C
EZ Wrap Tape 4" X 100' 3.0 MIL	—	3M9054-ND	6.26	4.70	2183
Grounding Braid 1/2" X 25'	—	3M9055-ND	63.10	47.33	25T-GB
Shield Connector with Shoe	—	3M9056-ND	1.42	1.07	4462-SNA

Note: Please see Digi-Key's website for photos and specifications.



Wire Terminals

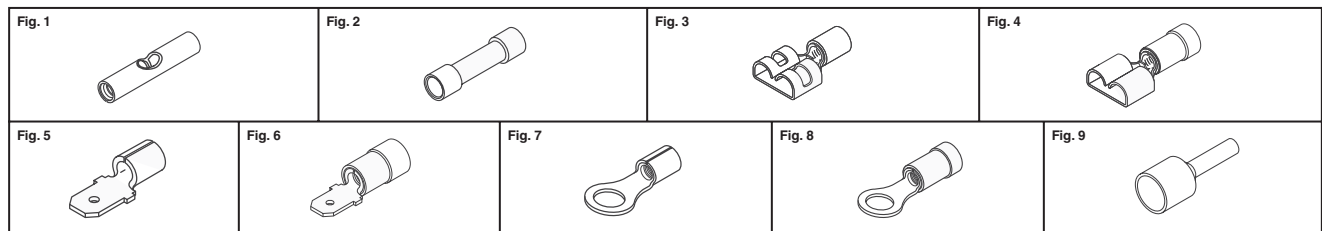


Fig.	Description	Approvals	Digi-Key Part No.	Pricing		Panduit Part No.	Digi-Key Part No.	Pricing		Panduit Part No.
				50	100			500	1,000	
Butt Splices										
1	Butt Splice, Non-Insulated, 12 - 10AWG	UL, CSA	298-9981-ND	29.57	—	BS10-L	298-9980-ND	113.36	—	BS10-D
	Butt Splice, Non-Insulated, 16 - 14AWG	UL, CSA	298-9982-ND	—	46.17	BS14-C	298-9983-ND	—	135.93	BS14-M
	Butt Splice, Non-Insulated, 22 - 18AWG	UL, CSA	298-9984-ND	—	44.41	BS18-C	298-9985-ND	—	142.82	BS18-M
	Butt Splice, Non-Insulated, 26 - 22AWG	—	298-9986-ND	—	61.81	BS22-C	298-9987-ND	—	1458.15	BS22-M

(Continued)

More Product Available Online: www.digikey.com

Toll-Free: 1-800-344-4539 • Phone 218-681-6674 • Fax: 218-681-3380