

Modular Plugs

A

Series	Description	Pos. - Contacts	Crimp Tool with Die	Die only	Dimensions - Inch (mm)				Digi-Key Part No.	Price Each			Stewart Part No.
					A	B	C	D		1	25	100	
Unshielded Plugs (any die works with all crimp tools used for unshielded plugs)													
30	Plug, Handset	4-4	380-1055-ND	380-1059-ND	.525 (13.33)	.300 (7.62)	.260 (6.60)	.485 (12.32)	380-1002-ND	.26	.24	.22	940-SP-3044
	Plug	6-2	380-1056-ND	380-1060-ND	.525 (13.33)	.380 (9.65)	.260 (6.60)	.534 (13.57)	380-1001-ND	.22	.21	.20	940-SP-3026
	Plug	6-4	380-1056-ND	380-1060-ND	.525 (13.33)	.380 (9.65)	.260 (6.60)	.534 (13.57)	380-1003-ND	.26	.24	.22	940-SP-3046
	Plug	6-6	380-1056-ND	380-1060-ND	.525 (13.33)	.260 (6.60)	.260 (6.60)	.534 (13.57)	380-1004-ND	.29	.27	.25	940-SP-3066
	Plug	8-8	380-1057-ND	380-1061-ND	.885 (22.48)	.460 (11.68)	.312 (7.92)	.622 (15.80)	380-1137-ND NEW!	.33	.32	.29	937-SP-3088
	Plug, .038" (.965mm) OD Cable	8-8	380-1057-ND	380-1061-ND	.885 (22.48)	.460 (11.68)	.312 (7.92)	.622 (15.80)	380-1005-ND	.42	.39	.36	940-SP-3088R
	Plug, .038" (.965mm) OD Cable	8-8	380-1057-ND	380-1061-ND	.885 (22.48)	.460 (11.68)	.312 (7.92)	.622 (15.80)	380-1138-ND NEW!	.33	.32	.29	937-SP-3088R
	Plug, .040" (1.02mm) OD Cable	8-8	380-1057-ND	380-1061-ND	.885 (22.48)	.460 (11.68)	.312 (7.92)	.622 (15.80)	380-1006-ND	.42	.39	.36	940-SP-3088R-A133
	Plug	10-10	380-1058-ND	380-1062-ND	.885 (22.48)	.460 (11.68)	.312 (7.92)	.622 (15.80)	380-1000-ND	.58	.54	.50	940-SP-301010R
	Plug, .038" (.968mm) OD Cable	10-10	380-1058-ND	380-1062-ND	.885 (22.48)	.460 (11.68)	.312 (7.92)	.622 (15.80)	380-1136-ND NEW!	.49	.46	.42	937-SP-301010R
37	Plug, CAT-5e	8-8	380-1057-ND	380-1061-ND	.884 (22.46)	.460 (11.68)	.312 (7.92)	.622 (15.80)	380-1008-ND	.48	.45	.42	943-SP-370808M2-A264
	Plug, CAT-5e	8-8	380-1057-ND	380-1061-ND	.885 (22.48)	.460 (11.68)	.312 (7.92)	.622 (15.80)	380-1098-ND	.42	.39	.36	SS-37000-002
39	Plug, CAT-6, Anti-Snag	8-8	380-1134-ND	380-1131-ND	1.47 (37.34)	.460 (11.68)	.312 (7.92)	—	380-1092-ND	1.15	1.08	.99	SS-39100-008
Shielded and Specialty Plugs (require special crimp tools and die)													
36	Plug	8-8	380-1133-ND‡	380-1135-ND	1.046 (26.57)	.460 (11.68)	.360 (9.14)	—	380-1007-ND	1.09	1.02	.94	940-SP-360808-A108
37	Plug, CAT-5e	8-8	380-1133-ND‡	380-1135-ND	.884 (22.46)	.460 (11.68)	.360 (9.14)	—	380-1009-ND	1.34	1.26	1.16	943-SP-370808M2A264
	Plug, CAT-5e	8-8	380-1057-ND	380-1061-ND	.897 (22.78)	.460 (11.68)	.321 (8.15)	—	380-1099-ND	1.07	1.00	.92	SS-37200-028
39	Plug, CAT-6a	8-8	380-1133-ND‡	380-1130-ND	.884 (22.46)	.460 (11.68)	.312 (7.92)	.622 (15.80)	380-1014-ND	2.08	1.95	1.79	SS-39100-002
	Plug, CAT-6	8-8	380-1132-ND	—	1.67 (42.4)	.540 (13.71)	.312 (7.92)	—	380-1093-ND	1.79	1.68	1.54	SS-39200-011

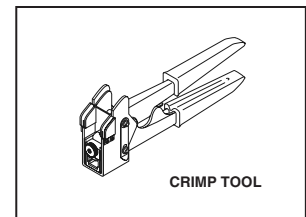
‡ Crimp tool only, Die must be purchased separately

Crimp Tools and Die Sets

Positions	Digi-Key Part No.	Price Each	Stewart Part No.
Crimp Tool with Die Set			
4	380-1055-ND	96.72	2990001-01
6	380-1056-ND	96.72	2990002-01
8	380-1057-ND	96.72	2990003-01
8	380-1134-ND	128.96	2990009-01
10	380-1058-ND	96.72	2990007-01
8	380-1132-ND	299.00	2980075-01
8	380-1133-ND‡	239.20	2940231-01

‡ Crimp tool only, Die must be purchased separately

Positions	Digi-Key Part No.	Price Each	Stewart Part No.
Die Set Modular			
4	380-1059-ND	29.64	2990004-01
6	380-1060-ND	29.64	2990005-01
8	380-1061-ND	29.64	2990006-01
8	380-1131-ND	29.64	2990010-01
10	380-1062-ND	29.64	2990008-01
8	380-1129-ND	218.40	2905029-01
8	380-1130-ND	218.40	2905014-01
8	380-1135-ND	284.96	2906253-01



CAT5e and CAT6 Jumpers

Available Through Digi-Key®

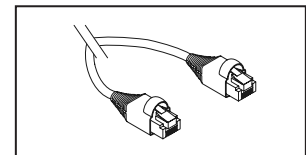
Enhanced CAT-5 Cords:

Enhanced patch cords built using high performance Stewart 37 Series plugs optimized for consistent, reliable performance in high speed networking applications.

CAT-6 Cords:

Patch cords built using high performance Stewart 39 Series plugs which are designed and manufactured to meet or exceed the current EIA/TIA CAT-6 specs.

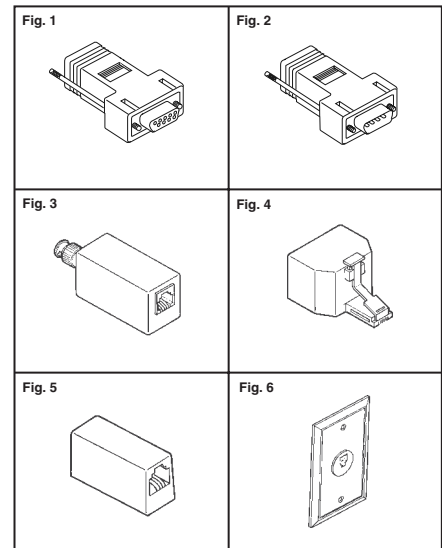
Description Ft. (Meter)	Digi-Key Part No.	Price Each
CAT-5 — Enhanced		
15' (4.572)	380-1072-ND	6.42
CAT-6		
15' (4.572)	380-1071-ND	9.98
25' (7.62)	380-1075-ND	26.72



CUI INC Modular Components

Fig.	Description	Digi-Key Part No.	1	Pricing 10	50	CUI Part No.
1	DB9S to RJ45 Jack (8-8)	046-0001-ND*◆	4.13	37.13	165.00	AMK-0001
2	DB9P to RJ45 Jack (8-8)	046-0000-ND*◆	4.13	37.13	165.00	AMK-0000
1	DB9S to RJ12 Jack (6-6)	046-0003-ND*◆	4.13	37.13	165.00	AMK-0003
2	DB9P to RJ12 Jack (6-6)	046-0002-ND*◆	4.13	37.13	165.00	AMK-0002
1	DB15S to RJ45 (8-8)	046-0005-ND*◆	4.63	41.63	185.00	AMK-0005
2	DB15P to RJ45 (8-8)	046-0004-ND*◆	4.63	41.63	185.00	AMK-0004
1	DB25S to RJ12 (6-6)	046-0009-ND*	4.38	39.38	175.00	AMK-0222
2	DB25P to RJ12 (6-6)	046-0008-ND*◆	4.38	39.38	175.00	AMK-0221
1	DB25S to RJ45 (8-8)	046-0011-ND*◆	4.38	39.38	175.00	AMK-0011
2	DB25P to RJ45 (8-8)	046-0010-ND*◆	4.38	39.38	175.00	AMK-0223
1	DB15S to RJ12 (6-6)	046-0017-ND*	4.63	41.63	185.00	AMK-0017
2	DB15P to RJ12 (6-6)	046-0016-ND*	4.63	41.63	185.00	AMK-0016
3	BNC RJ12 Converter (6-6)	048-0000-ND	16.58	149.18	663.00	AMK-0013
4	4 Wire TEE Adapter 1M-2F	048-0050-ND	2.75	24.75	110.00	AMK-0026
	6 Wire TEE Adapter 1M-2F	048-0051-ND◆	4.05	36.45	162.00	AMK-0051
5	6-6 Modular Coupling (crossed) #1 to #6	048-0056-ND	2.28	20.48	91.00	AMK-0056
	6-6 Modular Coupling (straight) #1 to #1	048-0103-ND◆	2.28	20.48	91.00	AMK-0103
6	6 Wire Wall Plate (6-6)	048-0061-ND	2.70	24.30	108.00	AMK-0061
	8 Wire Wall Plate (8-8)	048-0062-ND	3.35	30.15	134.00	AMK-0062

* User Configurable ◆ RoHS Compliant



More Product Available Online: www.digikey.com

Toll-Free: 1-800-344-4539 • Phone 218-681-6674 • Fax: 218-681-3380