

A

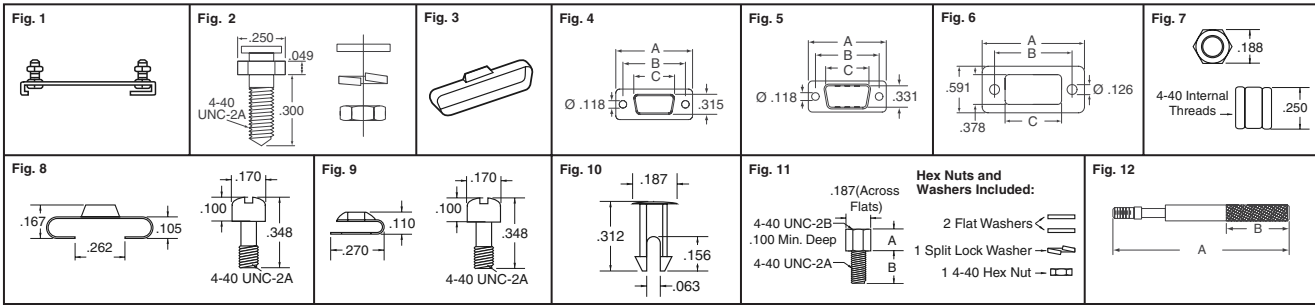


Fig.	Description	Dim. - Inch			Digi-Key Part No.	Price Each			NorComp Part No.
		A	B	C		1	10	100	
Slide Lock Posts for Ethernet Hood (980, 981 and 994 Series)									
1	9-Pin, D-Sub or Ethernet	—	—	—	160-09SL-ND	1.77	1.53	1.04	160-009-002-031
	9-Pin, D-Sub or Ethernet	—	—	—	160-09SLA-ND	2.18	1.46	1.15	160-009-002R031
	15-Pin, D-Sub or Ethernet	—	—	—	T2040A-ND	1.82	1.17	.90	160-015-003R031
	25-Pin, D-Sub or Ethernet	—	—	—	160-25SLA-ND	2.50	1.70	1.31	160-025-004R031
2	2 Connectors Required	—	—	—	T2042A-ND	1.08	.68	.50	160-000-005R031
Dust Cover									
3	Female, 9-Position D-Sub	—	—	—	909DCA-ND	.92	.55	.40	160-000-209R000
	Female, 15-Position D-Sub	—	—	—	915DCA-ND	1.25	.80	.58	160-000-215R000
	Female, 25-Position D-Sub	—	—	—	925DCA-ND	.90	.52	.38	160-000-225R000
	Female, 37-Position D-Sub	—	—	—	160-37FA-ND	1.00	.63	.47	160-000-237R000
	Female, 50-Position D-Sub	—	—	—	160-50FA-ND	1.17	.75	.54	160-000-250R000
3	Male, 9-Position D-Sub	—	—	—	160-09MA-ND	.92	.55	.40	160-000-109R000
	Male, 15-Position D-Sub	—	—	—	160-15MA-ND	.92	.55	.40	160-000-115R000
	Male, 25-Position D-Sub	—	—	—	160-25M-ND	.55	.48	.32	160-000-125-000
	Male, 25-Position D-Sub	—	—	—	160-25MA-ND	.95	.58	.42	160-000-125R000
	Male, 37-Position D-Sub	—	—	—	160-37MA-ND	1.00	.63	.47	160-000-137R000
Male, 50-Position D-Sub	—	—	—	160-50MA-ND	1.17	.75	.54	160-000-150R000	
Shielded Dust Cover									
3	Female, 9-Position D-Sub	—	—	—	160-209F-ND	3.13	2.70	1.84	160-020-209-000
	Female, 9-Position D-Sub	—	—	—	160-209FA-ND	3.89	2.68	2.19	160-020-209R000
	Female, 15-Position D-Sub	—	—	—	160-215F-ND	3.28	2.83	1.93	160-020-215-000
	Female, 15-Position D-Sub	—	—	—	160-215FA-ND	4.03	2.78	2.27	160-020-215R000
	Female, 25-Position D-Sub	—	—	—	160-225F-ND	3.54	3.05	2.08	160-020-225-000
	Female, 25-Position D-Sub	—	—	—	160-225FA-ND	4.23	2.95	2.42	160-020-225R000
3	Male, 9-Position D-Sub	—	—	—	160-209M-ND	2.87	2.48	1.69	160-020-109-000
	Male, 9-Position D-Sub	—	—	—	160-209MA-ND	3.33	2.22	1.81	160-020-109R000
	Male, 15-Position D-Sub	—	—	—	160-215MA-ND	3.71	2.56	2.09	160-020-115R000
	Male, 25-Position D-Sub	—	—	—	160-225M-ND	3.22	2.78	1.89	160-020-125-000
	Male, 25-Position D-Sub	—	—	—	160-225MA-ND	3.97	2.74	2.24	160-020-125R000
Cover Flange — RoHS Compliant									
4	Female, 9-Position D-Sub	1.209	.984	.642	CF09S-ND	2.66	1.75	1.42	CF09S
	Female, 15-Position D-Sub	1.535	1.312	.969	CF15S-ND	2.76	1.87	1.52	CF15S
	Female, 25-Position D-Sub	2.083	1.852	1.512	CF25S-ND	2.88	1.96	1.54	CF25S
	Female, 37-Position D-Sub	2.728	2.500	2.157	CF37S-ND	3.42	2.28	1.86	CF37S
	Female, 50-Position D-Sub	2.626	2.406	2.059	CF50S-ND	3.74	2.58	2.11	CF50S
5	Male, 9-Position D-Sub	1.205	.984	.669	CF09P-ND	2.66	1.75	1.42	CF09P
	Male, 15-Position D-Sub	1.535	1.312	.996	CF15P-ND	2.76	1.87	1.52	CF15P

Fig.	Description	Dim. - Inch			Digi-Key Part No.	Price Each			NorComp Part No.
		A	B	C		1	10	100	
5	Male, 25-Position D-Sub	2.079	1.852	1.535	CF25P-ND	2.88	1.96	1.54	CF25P
	Male, 37-Position D-Sub	2.724	2.500	2.181	CF37P-ND	3.42	2.28	1.86	CF37P
	Male, 50-Position D-Sub	2.626	2.406	2.079	CF50P-ND	3.74	2.58	2.11	CF50P
Silicon Sealing Flange — RoHS Compliant									
6	9-Position	1.299	.984	.717	SF09-ND	1.12	.70	.52	SF09
	15-Position	1.614	1.311	1.039	SF15-ND	1.33	.82	.62	SF15
	25-Position	2.165	1.850	1.583	SF25-ND	1.37	.87	.65	SF25
	37-Position	2.835	2.500	2.228	SF37-ND	1.55	.97	.74	SF37
4-40 Female Coupling Nut — RoHS Compliant									
7	Brass Finish, Nickel Plated	—	—	—	160-06VCA-ND	.36	.21	.14	160-000-006R032
4-40 Male Screwlock with Slip-On Retainer — RoHS Compliant									
8	Steel Finish, Nickel Plated	—	—	—	160-01MYCA-ND	1.59	.99	.76	160-000-001R031
4-40 Male Screwlock with Clip-On Retainer (2 screws, 2 clips) — RoHS Compliant									
9	Screw - Steel, Nickel Plated, Clip - Stainless Steel	—	—	—	160-02MA-ND	1.25	.80	.58	160-000-002R031
Plastic Clips for Retaining Connectors to PC .062" Board									
10	Nylon	—	—	—	163-01P-ND	.25	.15	.11	163-001-000-000
4-40 Female Screwlock Assembly — RoHS Compliant									
11	Steel Finish, Nickel Plated	.187	.312	—	160-10FA-ND	1.08	.68	.50	160-000-010R031
		.187	.625	—	160-11FA-ND	1.37	.87	.65	160-000-011R031
		.250	.156	—	160-12FA-ND	1.17	.75	.54	160-000-012R031
		.197	.197	—	160-13FA-ND	1.00	.63	.47	160-000-013R031
		.197	.236	—	160-14FA-ND	1.01	.63	.46	160-000-014R031
		.197	.323	—	160-15FA-ND	1.01	.63	.46	160-000-015R031
11	Steel Finish, Nickel Plated	.187	.312	—	160-16FA-ND	1.17	.75	.54	160-000-016R031
		.197	.433	—	160-17FA-ND	1.01	.63	.46	160-000-017R031
		.197	.520	—	160-17FA-ND	1.01	.63	.46	160-000-017R031
	.197	.669	—	160-18FA-ND	1.33	.84	.63	160-000-018R031	
4-40 Female Screwlock — RoHS Compliant									
11	Steel Finish, Nickel Plated	.187	.312	—	SFS04401NR-ND	.45	.26	.17	SFS04401NR
		.197	.197	—	SFS04404NR-ND	.45	.26	.17	SFS04404NR
4-40 Thumbscrew — Steel Finish, Nickel Plated — RoHS Compliant									
12	For 977/ 978/ 979 Series Backshells	1.75	.625	—	160-02TSA-ND	.51	.30	.20	160-000-050R031
M2.6 Thumbscrew — Steel Finish, Nickel Plated — RoHS Compliant									
12	For 970/ 972 Series Backshells	1.811	.360	—	160-03TSA-ND	1.08	.68	.50	160-000-060R031
Tool									
—	Insertion/Removal Tool	—	—	—	T2020-ND	7.94	—	—	180-901-170-000

♦ RoHS Compliant † Hex Nuts and Washers NOT Included

Parallel Interface Connectors (Centronics Type)

Material: • Insulator: Glass filled thermoplastic, UL 94V-0 rated • Shell: Steel, Nickel plated • Contacts: Copper alloy, 10µ gold over 30µ nickel

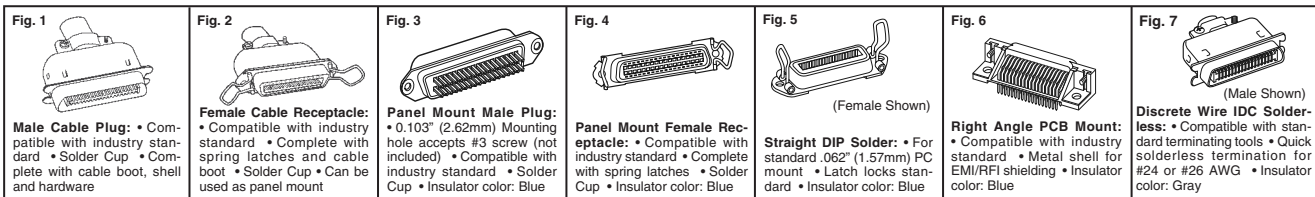


Fig.	No. of Contacts	Type	Digi-Key Part No.	Price Each			NorComp Part No.
				1	10	100	
1	14	Male	T1501A-ND	4.18	2.88	2.35	110-014-103L001
	36		T1503A-ND	4.23	2.92	2.38	110-036-103L001
	50		T1504A-ND	6.48	4.80	3.97	110-050-103L001
2	14	Female	T1507A-ND	4.56	3.18	2.61	110-014-203L001
	36		T1509A-ND	5.06	3.59	2.95	110-036-203L001
	50		T1510A-ND	7.13	5.28	4.37	110-050-203L001
3	14	Male	1014M-ND	2.51	2.16	1.47	111-014-103-001
	14		1014MA-ND	3.00	2.00	1.63	111-014-103L001
	24		1024M-ND	2.69	2.33	1.58	111-024-103-001
	24		1024MA-ND	3.21	2.14	1.75	111-024-103L001
	36		1036M-ND	3.12	2.08	1.70	111-036-103L001
50		1050M-ND	4.40	3.07	2.52	111-050-103L001	
4	14	Female	1014F-ND	3.15	2.10	1.72	111-014-203L001
	14		1024F-ND	4.26	3.68	2.50	111-024-203-001
	24		1024FA-ND	4.82	3.36	2.76	111-024-203L001
	36		1036FA-ND	3.60	2.48	2.03	111-036-203L001
	50		1050FA-ND	5.29	3.83	3.14	111-050-203L001
5	14	Male	1014PMA-ND	3.60	2.48	2.03	111-014-113L001
	24		1024PM-ND	4.52	3.90	2.66	111-024-113-001
	24		1024PMA-ND	5.17	3.67	3.01	111-024-113L001
36		1036PM-ND	4.88	4.21	2.86	111-036-113-001	

Fig.	No. of Contacts	Type	Digi-Key Part No.	Price Each			NorComp Part No.
				1	10	100	
5	36	Male	1036PMA-ND	5.25	3.84	3.14	111-036-113L001
	50		1050PMA-ND	5.90	4.32	3.52	111-050-113L001
6	14	Female	1014PFA-ND	3.42	2.28	1.86	111-014-213L001
	24		1024PFA-ND	2.97	2.57	1.75	111-024-213-001
	24		1024PFA-ND	3.60	2.48	2.03	111-024-213L001
	36		1036PFA-ND	5.01	3.55	2.92	111-036-213L001
	50		1050PFA-ND	7.05	5.22	4.32	111-050-213L001
6	14	Male	1014RMA-ND	3.18	2.74	1.87	112-014-113-001
	14		1014RMA-ND	5.64	4.13	3.37	112-014-113R001
	24		1024RMA-ND	5.13	3.71	3.04	112-024-113R001
	36		1036RMA-ND	5.72	4.18	3.41	112-036-113R001
	50		1050RMA-ND	6.39	5.51	3.75	112-050-113-001
6	14	Female	1014RFA-ND	6.65	4.93	4.07	112-050-113R001
	14		1014RFA-ND	3.69	2.19	1.71	112-014-213-001
	14		1014RFA-ND	5.77	4.22	3.45	112-014-213R001
	24		1024RFA-ND	5.29	3.83	3.14	112-024-213R001
	36		1036RFA-ND	5.24	3.79	3.11	112-036-213R001
50		1050RFA-ND	6.95	5.15	4.26	112-050-213R001	
7	36	Male	1036CM-ND	10.18	8.78	5.97	110-036-193-001

♦ RoHS Compliant

More Product Available Online: www.digkey.com