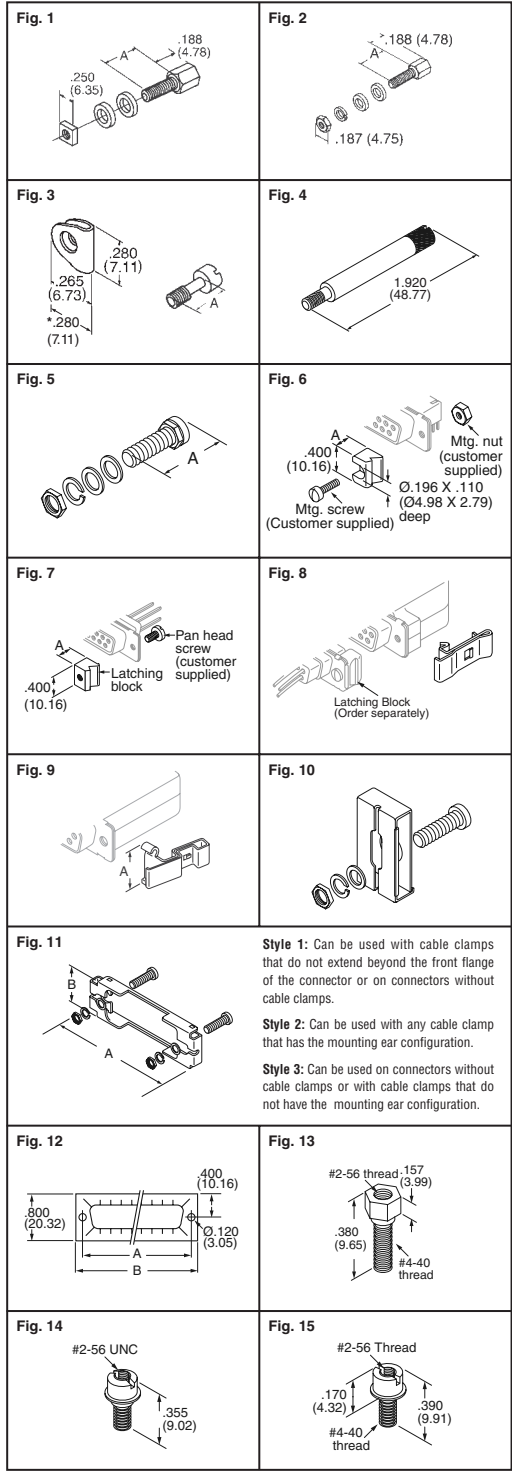


AMPLIMITE®
Accessories / Hardware (Sold In Packages of 2 unless otherwise noted)

A



Description	Digi-Key Part No.	Pricing		AMP Part No.
		10	50	
Flat Washer #4	A35229-ND	.37	1.53	5205820-2
Hex Nut 4-40	A35230-ND	.71	2.96	5205821-2

Fig.	Conn. Used w/ AMP Series	Finish	Thread	Dimension A Inch (mm)	Digi-Key Part No.	Price Each 1	25	AMP Part No.
Female Screw Locks - Steel, Zinc Plated								
RoHS Compliant								
1	HD Plastic	Yellow Chromate	4-40	.250 (6.35)	A33684-ND	1.88	1.57	5207952-1
2	HDE	Yellow Chromate	4-40	.250 (6.35)	A33685-ND	2.24	1.87	5745563-1
	HDE	Clear Chromate	4-40	.250 (6.35)	A33686-ND	2.00	1.67	5745563-3
	HDP/HDF	Yellow Chromate	4-40	.312 (7.92)	A33687-ND	2.04	1.71	5205817-1
	HDP/HDF	Clear Chromate	4-40	.312 (7.92)	A32020-ND	1.95	1.63	5205817-3
	HDP/HDF	Yellow Chromate	4-40, MIL-C24308	.312 (7.92)	A33688-ND	1.00	.84	5205817-8
	HD/HDF	Yellow Chromate	4-40	.560 (14.22)	A33689-ND	1.99	1.66	5207719-1
	HD/HDF	Clear Chromate	4-40	.560 (14.22)	A32023-ND	1.92	1.60	5207719-3
	HD/HDF	Clear Chromate	2-56 Male (4-40 Female)	.560 (14.22)	A32026-ND	3.30	2.75	5747223-3
Individual Screwlocks - Steel, Zinc Plated (washers and nuts not included)								
1	HD	Clear Chromate	4-40	.250 (6.35)	A23426-ND	1.77	1.48	207952-3
RoHS Compliant								
1	HD	Clear Chromate	4-40	.250 (6.35)	A33690-ND	1.77	1.48	5207952-3
2	HDP/HDF	Clear Chromate	M2.6 (Metric), Female (4-40 Male)	.312 (7.92)	A33691-ND	1.53	1.28	5749765-3
	HDP/HDF	Yellow Chromate	4-40	.312 (7.92)	A33692-ND	1.14	.96	5748270-2
	HDP/HDF	Clear Chromate	4-40	.312 (7.92)	A33693-ND†	2.28	1.90	5748558-4
	HDP/HDF	Clear Chromate	4-40	.312 (7.92)	A35225-ND‡	2.97	2.48	5748558-3
	HDP/HDF	Clear Chromate	M3 Female (4-40 Male)	.312 (7.92)	A35223-ND	2.40	2.00	5747404-3
	HDP/HDF	Clear Chromate	4-40	.185 (4.70)	A35224-ND	.66	.55	5747877-3
Male Screw Retainers for Plastic Shell Connectors - Steel, Zinc Plated (material)								
RoHS Compliant								
3	HDE	Yellow Chromate	4-40	.220 (5.59)	A33694-ND	1.12	1.02	5745647-1
Male Screw Retainers for Metal Shell Connectors - Steel, Zinc Plated (material)								
RoHS Compliant								
3	HDE/HDP	Yellow Chromate	4-40	.220 (5.59)	A33695-ND	.71	.60	5205980-1
		Clear Chromate	4-40	.220 (5.59)	A32021-ND	.85	.71	5205980-4
		Yellow Chromate	4-40	.200 (5.08)	A33696-ND	1.61	1.34	5745136-1
Male Screw Retainers for Metal and Plastic Shell Connectors - Steel, Zinc Plated (material)								
RoHS Compliant								
3	HDF	Clear Chromate	4-40	.300 (7.62)	A35222-ND*	2.40	2.00	5746881-2
Male Jack Screw - Steel, Zinc Plated								
RoHS Compliant								
4	HDE/HDP	Clear Chromate	4-40	—	A23593-ND†	3.23	2.70	747784-3
Locking Post Assembly - Steel, Zinc Plated (2 complete assemblies)								
5	HDF/HDP	Yellow Chromate	4-40	.560 (14.22)	A23440-ND	3.21	2.68	206514-6
RoHS Compliant								
5	HD/HDE	Yellow Chromate	4-40	.410 (10.41)	A32022-ND	2.98	2.49	5206514-1
	HDF/HDP	Yellow Chromate	4-40	.560 (14.22)	A33697-ND	3.18	2.66	5206514-6

† Bulk packed and with captivated star washer; no additional hardware included
‡ Parts packaged as a unit kit with captivated star washer; no additional hardware included

Fig.	No. of Positions	Description	Thread	Dimensions - Inch (mm)		Digi-Key Part No.	Price Each 1	25	AMP Part No.
				A	B				
Latching Blocks - Slot Recess & Thru-Hole - Zinc - RoHS Compliant									
6	9-37	Rear-Panel Latching	—	.160 (4.06)	—	A23453-ND	5.27	4.40	747080-2
	9-37	Rear-Panel Latching	—	.190 (4.83)	—	A23451-ND	1.21	1.01	745245-2
	9-37	Front-Panel Latching	—	.250 (6.35)	—	A23452-ND	.96	.81	745286-2
Latching Blocks - Threaded Hole - Zinc - RoHS Compliant									
7	9-37	Rear-Panel Latching	4-40	.190 (4.83)	.400 (10.16)	A23449-ND	3.07	2.56	745403-8
	9-37	Rear-Panel Latching	4-40	.220 (5.59)	.400 (10.16)	A23450-ND	8.14	6.79	747717-2
	9-37	Front-Panel Latching	M3	.250 (6.35)	.400 (10.16)	A23447-ND	1.49	1.24	208101-1
	9-37	Front-Panel Latching	4-40	.250 (6.35)	.400 (10.16)	A23448-ND	1.49	1.24	208101-8
	50	Front-Panel Latching	4-40	.250 (6.35)	.530 (13.46)	A35227-ND	72.27	60.23	1-208101-1

Fig.	No. of Positions	Dimension A Inch (mm)	Description	Digi-Key Part No.	Price Each 1	25	AMP Part No.
Spring Latches - Stainless Steel - RoHS Compliant							
8	—	—	With Mounting Ears	A23445-ND	4.38	3.65	745255-2
9	9-37	.540 (13.72)	Spring Latch	A23446-ND	1.99	1.66	745779-2
9	50	.650 (16.51)	Spring Latch	A35226-ND	10.11	8.43	745779-5
Slide Latch Clips - Steel, Zinc Plated (clip stainless steel, screws/washers/nuts - steel, zinc plated)							
10	—	—	Thread 4-40, Screw Length .415 (10.54mm)	A23441-ND A33703-ND‡	2.55 2.70	2.13 2.25	206942-1 5206942-1

‡ RoHS Compliant

Fig.	No. of Positions	Style No.	Thread Size	Dimensions - Inches (mm)		Digi-Key Part No.	Price Each 1	25	AMP Part No.
				A	B				
Slide Latch Clips - Stainless Steel (screws/washers/nuts - steel, zinc plated)									
11	25	2	2-56	2.265 (57.53)	.470 (11.94)	A23437-ND	11.70	9.75	745584-1
RoHS Compliant									
11	9	1	4-40	1.397 (35.48)	.490 (12.45)	A33698-ND	3.82	3.19	5745404-1
	15	2	2-56	1.725 (43.82)	.470 (11.94)	A33699-ND	5.58	4.65	5745583-1
	25	2	2-56	2.265 (57.53)	.470 (11.94)	A33700-ND	10.98	9.15	5745584-1
	25	3	4-40	2.265 (57.53)	.470 (11.94)	A33701-ND	5.07	4.23	5745584-3
	37	1	4-40	2.913 (73.99)	.490 (12.45)	A32024-ND	6.18	5.15	5745407-1
	50	3	4-40	2.819 (71.60)	.575 (14.61)	A33702-ND	10.95	9.13	5745578-3

Fig.	No. of Positions	Dimensions - Inches (mm)		Digi-Key Part No.	Price Each 1	25	AMP Part No.
		A	B				
EMI/RFI Gaskets - Brass .006" (0.15mm) Thick, Bright Tin Plated - RoHS Compliant							
12	9	.984 (24.99)	1.220 (30.99)	A32025-ND	1.56	1.30	5747024-3
	15	1.312 (33.32)	1.555 (39.50)	A35052-ND	5.04	4.20	5747025-3
	25	1.852 (47.04)	2.100 (53.34)	A32027-ND	19.59	16.33	745776-4
	37	2.500 (63.50)	2.730 (69.34)	A32028-ND	6.63	5.53	745777-4
13	Screwlock Kits for .050 Series, stainless steel			A23468-ND‡	2.28	1.91	749087-2
14	Screwlock Kits for .050 Series, stainless steel, Thread 4-40			A23469-ND	3.81	3.18	750644-1
14	Screwlock Kits for .050 Series, stainless steel, Thread 2-56			A23470-ND	3.11	2.59	786585-2
15	Screwlock Kits for .050 Series, stainless steel			A23675-ND	5.07	4.23	750831-1
—	Grommet Set (4 per set), 9-15 positions			A23668-ND	.93	.78	747746-1
—	Grommet Set (4 per set), 25-50 positions			A23669-ND	1.53	1.28	747973-1

‡ Recommended for right-angle board mount connectors

More Product Available Online: www.digkey.com