

1mm Standard Edge Connectors have been developed specifically to meet the interconnection requirements for the latest technological advances in personal computers. These include Intel's Pentium II™ processor (Slot 1), Accelerated Graphics Port (AGP), and the new NLX Form Factor motherboard.

FEATURES:

- 1mm contact spacing compatible with latest interconnection technology for Slot 1, AGP and NLX
- High temperature housings suitable for surface mount reflow processes
- Pivoting board lock feature offering connector centering before contacts enter PC board holes
- Certified by Canadian Standards Association to Canadian and United States Requirements
- Produced under a Quality Management System certified to ISO 9001
- PERFORMANCE CHARACTERISTICS:** • Operating Temperature: 0°C – 85°C • Voltage: 250VAC • Characteristic Impedance: 35-20-80Ω • Termination Resistance: 20mΩ maximum (initial)
- Insulation Resistance: 1000MΩ minimum
- Dielectric Withstanding Voltage: 400VAC @ sea level
- Durability: 50 cycles minimum
- Engaging Force: 3.3 oz. (.917 N) maximum average per contact pair
- Separating Force: 1.98 – .35 oz. (.550 – .097N) per contact pair

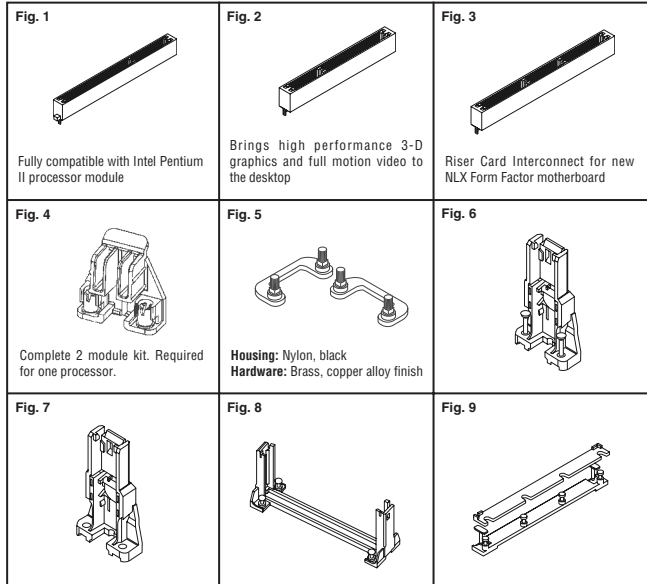


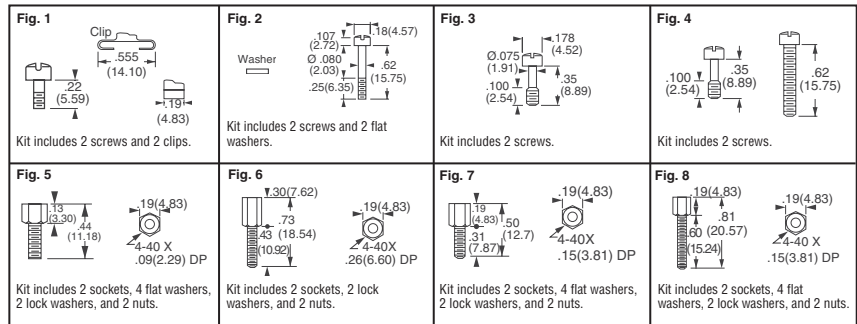
Fig.	Description	Solder Tail Length	Digi-Key Part No.	Price Each 1	25	AMP Part No.
1mm Standard Edge Connector						
1	242 Position Slot 1 Connector for Pentium II and Celeron Processors	.100 (2.54)	A15102-ND A33649-ND	8.33	6.66	145251-2 5145251-2
2	124 Position AGP (Accelerated Graphics Port) Connector for AGP Card	.085 (2.16)	A15103-ND	5.70	4.56	5145263-1
	124 Position AGP (Accelerated Graphics Port) Connector for AGP Card	.085 (2.16)	A33650-ND	5.13	4.10	5145263-1
	124 Position AGP (Accelerated Graphics Port) Connector for AGP Card	.100 (2.54)	A15104-ND A33651-ND	5.33	4.26	145263-2 5145263-2
3	340 Position NLX Riser Card Interconnect	.100 (2.54)	A15106-ND	12.48	9.98	145275-2
	340 Position NLX Riser Card Interconnect	.100 (2.54)	A33652-ND	10.73	8.58	5145275-2
Celeron Retention Modules — RoHS Compliant						
4	Module Kit with Captive Brass Fasteners, 2 pieces (Use with 145312-1 Bridge/Stud Assembly)		A15108-ND	13.58	10.86	145342-1
5	Bridge/Stud Assembly for #145342-1. One Bridge/Stud Assembly Required for Each Retention Module		A15109-ND	4.03	3.22	145312-1
Universal Retention Modules (URM) — RoHS Compliant						
6	URM with Straight Pin Plastic Fasteners. Compatible with .159" (4.04mm) Holes, 2 pieces		A15115-ND	3.55	2.84	145417-2
7	URM with Clearance Hole for #6 Screw. Customer Supplies Fastener Hardware, 2 pieces		A15117-ND	2.43	1.94	145419-2
Integrated Retention Modules — RoHS Compliant						
8	Pentium II Retention Module with Fastex Plastic Fasteners		A15113-ND	6.98	5.58	145327-1
	Pentium II Retention Module with Slotted, Captive Nuts		A15118-ND	6.18	4.94	145286-1
Heat Sink Support Kit — RoHS Compliant						
9	Heat Sink Support Base with Plastic Fasteners for use with Integrated Retention Module #145327-1		A15114-ND	7.88	6.30	145308-1

♦ RoHS Compliant

3M D-Sub Mounting Hardware



Fig.	Description	Digi-Key Part No.	Price Each 1	100	500	3M Part No.
1	Jack Screw Kit	MDVS22-ND	1.10	.84	.76	3342-1
2	Jack Screw Kit	MDVS62-ND	1.31	1.00	.91	3342-2
3	Jack Screw Kit	MDVS35-ND	.87	.67	.61	3342-4
4	Screw Mount Kit	MDSMK1-ND	.94	.72	.65	3342-3
5	Jack Socket Kit	MDVS44-ND	1.85	1.41	1.28	3341-1S
6	Jack Socket Kit	MDVS73-ND	1.68	1.28	1.16	3341-2
7	Jack Socket Kit	MDVS50-ND	1.85	1.41	1.28	3341-1L
8	Jack Socket Kit	MDVS81-ND	1.93	1.47	1.33	3341-4



KEYSTONE

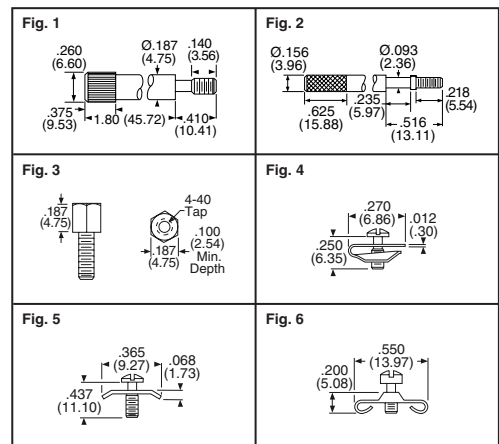
Connector Hardware

Material: Steel, Zinc Plate and Gold Iridite. Threads: 4-40



Fig.	Description	Digi-Key Part No.	Price Each 1	5	50	Keystone Part No.
1	Jack Screws 4/40 thread, (1 pkg. = 2 screws) 2 pc. required per connector	2073K-ND	5.96	5.22	4.84	2073
2	Jack Screws 4/40 thd. slim line, 1.25", (1 pkg. = 2 screws) 2 pc. required per connector	2069K-ND	5.75	5.18	3.74	2069
2	Jack Screws 4/40 thd. slim line, 1.75", (1 pkg. = 2 screws) 2 pc. required per connector	2071K-ND	4.84	4.24	3.94	2071
3	Jack Screws 4/40 x .250" (1 pkg. = 2 screws) 2 pc. required per connector	7228K-ND	.69	.61	.57	7228
3	Jack Screws 4/40 x .250" (1 pkg. = 2 screws) 2 pc. required per connector	7228-5K-ND†	.69	.61	.57	7228-5
3	Jack Screws 4/40 x .312" (1 pkg. = 2 screws) 2 pc. required per connector	7230K-ND	.59	.53	.43	7230
3	Jack Screws 4/40 x .312" (1 pkg. = 2 screws) 2 pc. required per connector	7230-5K-ND†	.59	.53	.43	7230-5
3	Jack Screws 4/40 x .625" (1 pkg. = 2 screws) 2 pc. required per connector	7232K-ND	1.41	1.23	1.15	7232
3	Jack Screws 4/40 x .625" (1 pkg. = 2 screws) 2 pc. required per connector	7232-5K-ND†	1.41	1.23	1.15	7232-5
3	Jack Screws 4/40 x .250" (10 pcs. = 4 flat washers, 2 lock washers, 2 nuts, 2 jack screws)	7229K-ND	1.13	1.02	.96	7229
3	Jack Screws 4/40 x .250" (10 pcs. = 4 flat washers, 2 lock washers, 2 nuts, 2 jack screws)	7229-5K-ND†	.90	.79	.74	7229-5
3	Jack Screws 4/40 x .312" (10 pcs. = 4 flat washers, 2 lock washers, 2 nuts, 2 jack screws)	7231K-ND	.73	.65	.60	7231
3	Jack Screws 4/40 x .312" (10 pcs. = 4 flat washers, 2 lock washers, 2 nuts, 2 jack screws)	7231-5K-ND†	.73	.65	.60	7231-5
3	Jack Screws 4/40 x .625" (10 pcs. = 4 flat washes, 2 lock washers, 2 nuts, 2 jack screws)	7233K-ND	1.62	1.42	1.32	7233
3	Jack Screws 4/40 x .625" (10 pcs. = 4 flat washes, 2 lock washers, 2 nuts, 2 jack screws)	7233-5K-ND†	1.62	1.42	1.32	7233-5
3	Sems jack screw .285" L 4-40 thread, (1 pkg. = 2 screws) 2 pc. required per connector	7235K-ND	.73	.64	.60	7235
4	"U" Clip Set (4 pieces = 2 screws and 2 clips)	2062K-ND	.88	.78	.72	2062
5	Saddle Washer Set (4 pieces = 2 screws and 2 clips)	2063K-ND	.99	.87	.81	2063
6	4/40 x .250" Bow Tie Clip Set (4 pieces = 2 screws and 2 clips)	2060K-ND	1.10	.97	.90	2060
6	4/40 x .562" Bow Tie Clip Set (4 pieces = 2 screws and 2 clips)	2061K-ND	1.21	1.06	.99	2061

† Clear Chromate



More Product Available Online: www.digkey.com

Toll-Free: 1-800-344-4539 • Phone 218-681-6674 • Fax: 218-681-3380