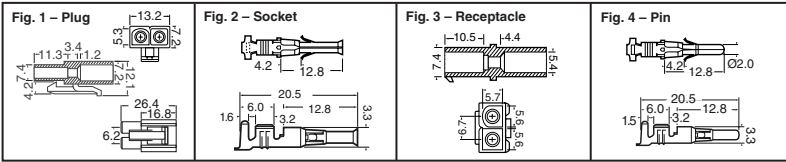


molex "Toy Car" Battery Connector



Crimp Terminal Connector Kits

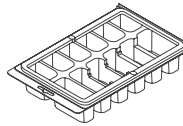


Features:

- 15 Amp current rating per circuit
- 300V voltage rating
- 14-20 AWG wire range
- Nylon 6/6 housing 94V-2
- Industry standard product for radio controlled toy cars

Fig.	Digi-Key Part No.	1	10	50	100	Molex Part No.
1	WM2308-ND	.40	3.54	16.50	23.58	35143-0201
2	WM2311-ND	.09	.80	3.71	5.30	35728-0201
3	WM2309-ND	.39	3.40	15.86	22.65	35141-0201
4	WM2310-ND	.10	.93	4.32	6.18	35727-0201

WM9999-ND	Universal Crimp Tool (Waldom)	\$50.75
WM9969-ND	Manual Wire Stripper (Waldom)	\$79.30

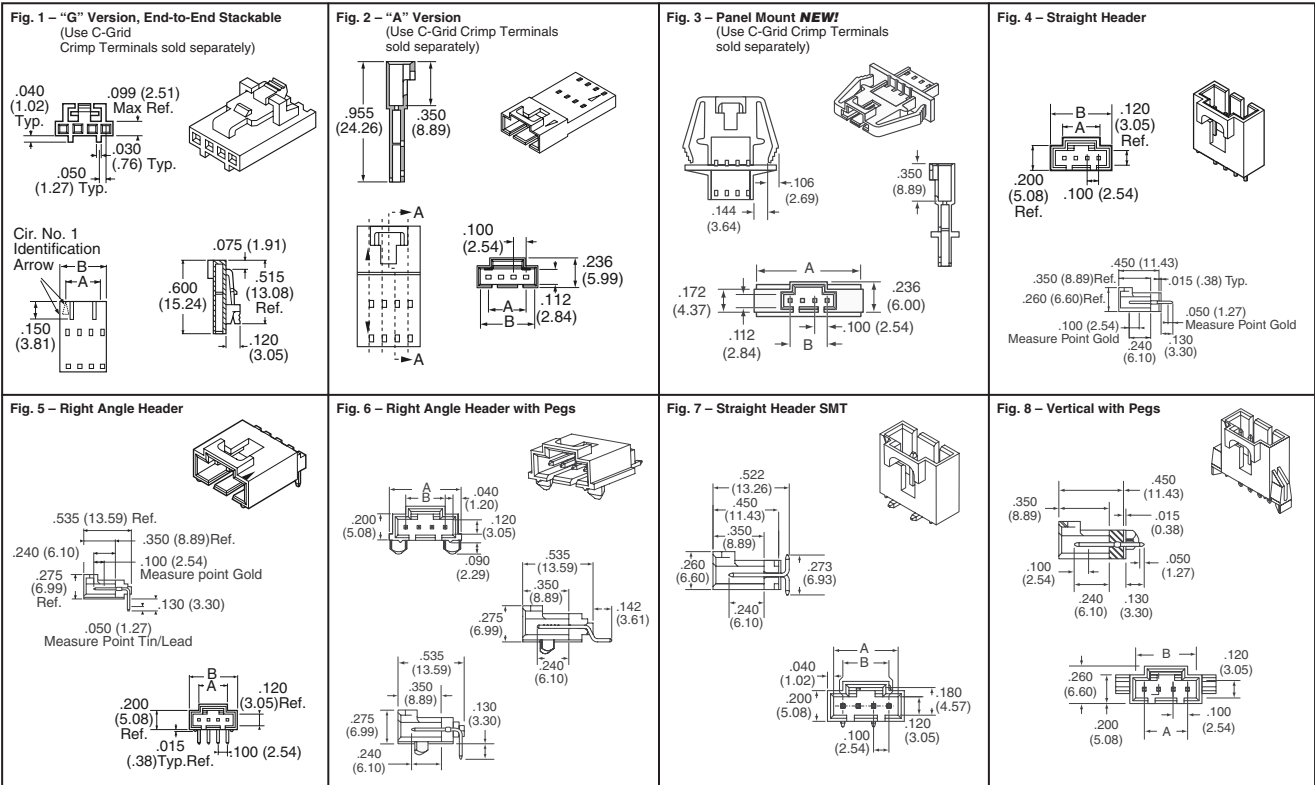


Item	WM9983 Kit Qty.	WM9981 Kit Qty.
Crimp Terminal Housings	36	48
Straight Headers	18	24
Right Angle Headers	18	24
Shunts	10	—
Crimp Terminal (22-30 AWG)	100	—
Crimp Terminal (18-24 AWG)	—	100
Crimping Tool 63811-1000	1	1
Extractor Tool HT-1884	1	1

Description	Digi-Key Part No.	Price Each	Molex Part No.
KK Series .100" Connector Kit	WM9983-ND	51.55	MXKK-100
KK Series .156" Connector Kit	WM9981-ND	47.48	MXKK-156

C-Grid® SL™ .100

Material: • Pins: .025" square, phosphor bronze • Insulator: UL 94V-0 glass filled PCT, black; Vapor phase and infrared process compatible • **Plating:** 15µ" minimum gold or 150µ" minimum tin/lead **Electrical:** • Current Rating: 3 amps • Insulation Resistance: 1,000MΩ • Dielectric Strength: 600VAC r.m.s for 1 minute **Environmental:** • Operating Temperature: -40°C ~ 105°C • UL Listed and CSA Certified



Cir- cuts Fig.	Dimension - Inch (mm)		Digi-Key Part No.	Pricing				Molex Part No.
	A	B		1	10	100	500	
Receptacle Housing (Contact Sold Separately)								
2	.100 (2.54)	.199 (5.05)	WM2900-ND	.44	3.56	29.65	118.60	50-57-9402
3	.200 (5.08)	.299 (7.59)	WM2901-ND	.31	2.46	20.48	81.90	50-57-9403
4	.300 (7.62)	.399 (10.13)	WM2902-ND	.43	3.46	28.80	115.20	50-57-9404
5	.400 (10.16)	.499 (12.67)	WM2903-ND	.56	4.45	37.08	148.30	50-57-9405
6	.500 (12.70)	.599 (15.21)	WM2904-ND	.65	5.24	43.63	174.50	50-57-9406
7	.600 (15.24)	.699 (17.75)	WM2905-ND	.75	6.02	50.18	200.70	50-57-9407
8	.700 (17.78)	.799 (20.29)	WM2906-ND	.82	6.54	54.50	218.00	50-57-9408
9	.800 (20.32)	.899 (22.83)	WM2907-ND	.83	6.65	55.38	221.50	50-57-9409
10	.900 (22.86)	.999 (25.37)	WM2908-ND	.84	6.70	55.81	223.24	50-57-9410
11	1.00 (25.40)	1.099 (27.91)	WM2909-ND	.94	7.49	62.38	249.50	50-57-9411
1	1.10 (27.94)	1.199 (30.45)	WM2910-ND	.80	6.44	53.63	214.50	50-57-9412
	1.20 (30.48)	1.299 (32.99)	WM2911-ND	1.16	9.26	77.18	308.70	50-57-9413
	1.30 (33.02)	1.399 (35.53)	WM2912-ND	1.26	10.10	84.18	336.70	50-57-9414
	1.40 (35.56)	1.499 (38.07)	WM2913-ND	1.32	10.57	88.08	352.30	50-57-9415
	1.50 (38.10)	1.599 (40.61)	WM2914-ND	1.39	11.14	92.85	371.40	50-57-9416
	1.60 (40.64)	1.699 (43.15)	WM2915-ND	1.45	11.57	96.38	385.50	50-57-9417
	1.70 (43.18)	1.799 (45.69)	WM2916-ND	1.52	12.19	101.60	406.40	50-57-9418
	1.80 (45.72)	1.899 (48.23)	WM2917-ND	1.88	15.02	125.13	500.50	50-57-9419
	2.00 (50.80)	2.099 (53.31)	WM2919-ND	2.01	16.07	133.88	535.50	50-57-9421
	2.10 (53.34)	2.199 (55.85)	WM2920-ND	2.07	16.54	137.80	551.20	50-57-9422

Cir- cuts Fig.	Dimension - Inch (mm)		Digi-Key Part No.	Pricing				Molex Part No.		
	A	B		1	10	100	500			
1	23	2.20 (55.88)	2.299 (58.39)	WM2921-ND	2.13	17.01	141.73	566.90	50-57-9423	
	24	2.30 (58.42)	2.399 (60.93)	WM2922-ND	2.20	17.58	146.50	586.00	50-57-9424	
	25	2.40 (60.96)	2.499 (63.47)	WM2923-ND	2.26	18.11	150.89	603.56	50-57-9425	
Pin Housing (Contact Sold Separately) — RoHS Compliant										
2	2	.100 (2.54)	.220 (5.59)	WM2533-ND	.98	7.84	65.35	261.40	70107-0001	
	3	.200 (5.08)	.320 (8.13)	WM2534-ND	.99	7.94	66.20	264.79	70107-0002	
	4	.300 (7.62)	.420 (10.67)	WM2535-ND	1.03	8.24	68.66	274.65	70107-0003	
	5	.400 (10.16)	.520 (13.21)	WM2536-ND	1.19	9.53	79.42	317.68	70107-0004	
	6	.500 (12.70)	.620 (15.75)	WM2537-ND	1.51	12.06	100.49	401.95	70107-0005	
	7	7	.600 (15.24)	.720 (18.29)	WM2538-ND	1.53	12.20	101.68	406.72	70107-0006
		8	.700 (17.78)	.820 (20.83)	WM2539-ND	1.57	12.52	104.36	417.43	70107-0007
		9	.800 (20.32)	.920 (23.37)	WM2540-ND	1.59	12.76	106.32	425.27	70107-0008
		10	.900 (22.86)	1.020 (25.91)	WM2541-ND	1.66	13.26	110.53	442.13	70107-0009
		11	1.00 (25.40)	1.18 (29.97)	WM2543-ND	1.72	13.77	114.78	459.10	70107-0010
	12	1.10 (27.94)	1.28 (32.51)	WM2544-ND	1.76	14.07	117.28	469.10	70107-0011	
NEW! Panel Mount Pin Housing (Contact Sold Separately) — RoHS Compliant NEW!										
3	2	.650 (16.51)	.100 (2.54)	WM2574-ND	1.50	12.02	100.13	400.53	70107-0036	
	3	.750 (19.05)	.200 (5.08)	WM2575-ND	1.52	12.17	101.41	405.62	70107-0037	
	4	.850 (21.59)	.300 (7.62)	WM2576-ND	1.57	12.52	104.74	417.34	70107-0038	
	5	.950 (24.13)	.400 (10.16)	WM2577-ND	1.57	12.57	104.73	418.90	70107-0039	
	6	1.050 (26.67)	.500 (12.70)	WM2578-ND	1.62	12.97	108.08	432.33	70107-0040	

• RoHS Compliant

(Continued)

More Product Available Online: www.digikey.com

Toll-Free: 1-800-344-4539 • Phone 218-681-6674 • Fax: 218-681-3380