

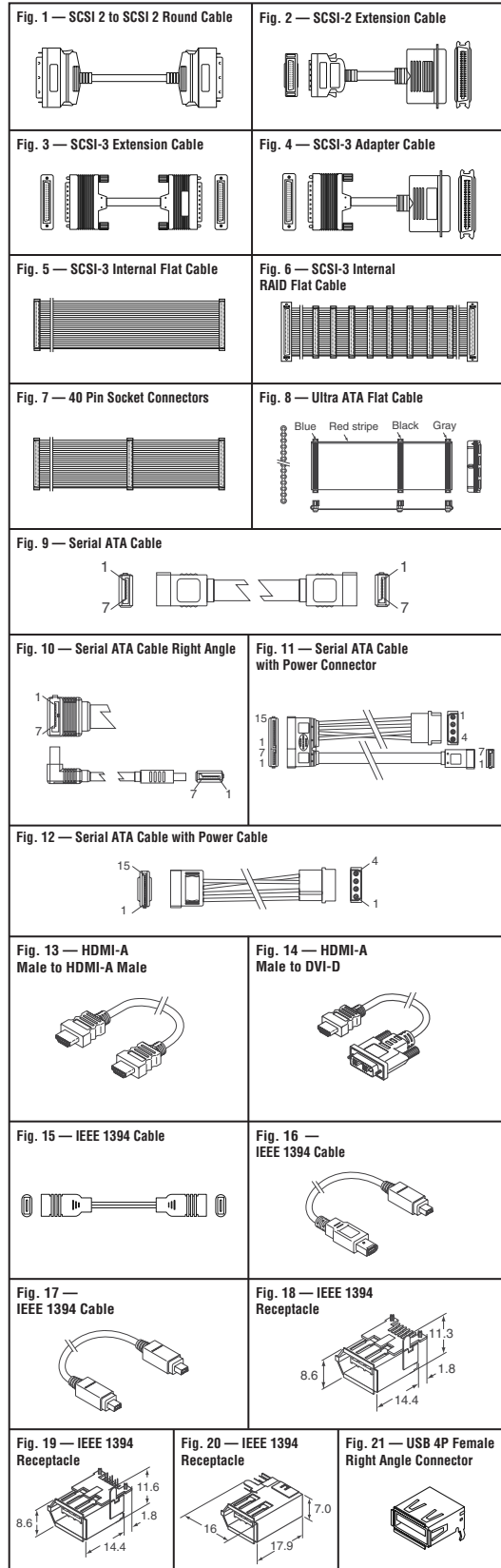
HP = Half Pitch

A

Fig.	Length Meters	Lines	Description	Digi-Key Part No.	Price Each 1 10 25	Assmann Part No.
FAST SCSI 2 to SCSI 2 Cable, Shielded, UL 2919 — RoHS Compliant						
1	0.90 2.0	50	HP D-sub 50, HP D-sub, Male Clip to HP D-sub 50, HP D-sub, Male, Clip	AE1428-ND AE1429-ND	27.42 24.10 21.61 29.67 26.98 24.28	AK579/F-1-R AK579/F-2-R
SCSI-2 Series, Round Cable						
2	0.91	50	HP D-sub 50 Male to Centronic 50 Male, A Cable	AE1069-ND	16.60 14.59 13.08	AK-Y1202
SCSI-3 Series, Round Cable						
3	0.91	68	HP D-sub 68 Male X 2, A Cable	AE1430-ND	28.30 25.73 23.16	AK-Y1301-R
4	0.91	50	HP D-sub 68 Male to Centronic 50 Male, A Cable	AE1071-ND	18.94 16.65 14.93	AK-Y1302
SCSI-3 Series, Flat Cable						
5	0.45	68	.635mm HP D-sub 68 Male X 2, P Cable	AE1489-ND	17.46 15.35 13.76	AK-Y2301-R
6	1.6	68	.635mm HP D-sub 68 Female X 2 to .635mm HP D-sub 68 Male X 8	AE1079-ND	42.17 38.92 36.20	AK-Y2310
Hard Drive Cable for 2 x IDE / AT Bus Hard Drives — RoHS Compliant						
7	0.5	40	(3) 40 Pin Socket Connectors	AE10263-ND	4.19 3.69 3.31	AK5430-5-R
Ultra ATA Flat Cable — RoHS Compliant						
8	0.46	40	Ultra ATA HDD 100Mbps	AE10184-ND	5.54 4.88 4.37	AK-ATA-100-R
Serial ATA Cables — RoHS Compliant						
9	0.3 0.5 0.75 1.0	7	Serial ATA Cable	AE10077-ND	3.53 3.11 2.79	AK-SATA-030-R
	AE10079-ND			3.43 3.02 2.71	AK-SATA-050-R	
	AE10081-ND			4.13 3.63 3.25	AK-SATA-075-R	
10	0.3 0.5 0.75	7	Serial ATA Cable Right Angle	AE10083-ND	4.16 3.66 3.28	AK-SATA-100-R
	AE10078-ND			3.53 3.11 2.79	AK-SATA-030DL-R	
	AE10080-ND			3.43 3.02 2.71	AK-SATA-050DL-R	
11	0.5 0.75 1.0	7	Serial ATA Cable 4-Pos. Power Connector	AE10082-ND	4.13 3.63 3.25	AK-SATA-075DL-R
	AE10084-ND			6.60 5.80 5.20	AK-SATA-SP-050-R	
	AE10085-ND			7.03 6.18 5.54	AK-SATA-SP-075-R	
12	0.15	4	Power Supply Cable 15-Pos. - 4-Pos.	AE10086-ND	7.36 6.47 5.80	AK-SATA-SP-100-R
				AE10087-ND	2.97 2.61 2.34	AK-SATA-PC-015-R
HDMI / DVI Cables and Adapters — RoHS Compliant						
13	2.0 3.0 5.0	—	HDMI-A Male to HDMI-A Male Cable HDMI-A Male to HDMI-A Male Cable HDMI-A Male to HDMI-A Male Cable	AE10256-ND	22.41 19.70 17.66	AK627-2-R
	AE10257-ND			25.55 23.23 20.91	AK627-3-R	
	AE10246-ND			30.27 27.93 25.98	AK627-5-R	
14	2.0 3.0 5.0	—	HDMI-A Male to DVI-D Cable HDMI-A Male to DVI-D Cable HDMI-A Male to DVI-D Cable	AE10258-ND	24.32 21.38 19.17	AK639-2-R
	AE10259-ND			24.06 21.88 19.69	AK639-3-R	
	AE10260-ND			30.45 28.11 26.14	AK639-5-R	
—	—	—	HDMI-A Male to DVI-D 24+1, Female Adapter HDMI-A Male to DVI-D 24+1, Male Adapter HDMI-A Female to DVI-D 24+1, Female Adapter HDMI-A Female to DVI-D 24+1, Male Adapter HDMI-A Female to HDMI-A, Female Adapter HDMI-A Male to HDMI-A, Female Adapter	AE10249-ND	16.47 14.48 12.98	AB556-R
				AE10250-ND	16.47 14.48 12.98	AB557-R
				AE10254-ND	18.12 15.93 14.28	AB566-R
				AE10255-ND	16.47 14.48 12.98	AB567-R
				AE10251-ND	16.47 14.48 12.98	AB568-R
				AE10252-ND	18.12 15.93 14.28	AB561-R
IEEE 1394 Cable Double Shielded						
15	1.8 3.0 5.0	6	6-Pin Male to 6-Pin Male	AE1432-ND	15.08 13.26 11.89	AK-1394-18-R
	AE1433-ND			18.68 16.42 14.72	AK-1394-30-R	
	AE1434-ND			23.04 21.27 19.78	AK-1394-50-R	
16	1.8 3.0 5.0	4	6-Pin Male to 4-Pin Male	AE1435-ND	13.96 12.27 11.00	AK-1394-184-R
	AE1436-ND			14.99 13.63 12.27	AK-1394-304-R	
	AE1437-ND			21.04 19.42 18.06	AK-1394-504-R	
17	1.8 1.8 5.0	4	4-Pin Male to 4-Pin Male	AE1127-ND	23.38 21.25 19.13	AK-1394-1844
	AE1438-ND			11.94 10.85 9.77	AK-1394-1844-R	
	AE1133-ND			29.03 26.79 24.92	AK-1394-5044	
IEEE 1394 and USB Connectors — RoHS Compliant						
18	—	—	IEEE 1394 Recept Horizontal SMT	AE9920-ND	2.84 2.50 2.24	A-IE-S-SMT-R
19	—	—	IEEE 1394 Recept Horizontal PCB	AE9921-ND	2.71 2.38 2.14	A-IE-S-DIP-R
20	—	—	IEEE 1394 Recept Vertical PCB	AE9922-ND	2.71 2.38 2.14	A-IE-E-DIP-R
21	—	4	USB 4P Recept Thru-hole, Type A	AE9923-ND	.86 .76 .68	AU-Y1005-R
22	—	4	USB 4P Recept SMT, Type A	AE9924-ND	.99 .87 .78	AU-Y1006-R
23	—	4	USB 4P Recept Thru-hole, Type B	AE9925-ND	1.09 .96 .86	AU-Y1007-R
23	—	4	USB 4P Recept Dual Port, Type A	AE9926-ND	1.52 1.34 1.20	AU-Y1008-R
USB Plugs and Hoods — RoHS Compliant						
24	—	—	USB A-Male, Solder Version	AE10091-ND	.43 .38 .34	A-USBPA-R
			Hood for USB A Male	AE10090-ND	.40 .35 .32	A-USBPA-HOOD-R
			Hood for USB B Male	AE1441-ND	.40 .35 .32	A-USBPB-HOOD-R
			USB B-Male, Solder Version	AE10178-ND	.43 .38 .34	A-USBPB-R
USB Cables						
25	1.0 2.0 5.0	4	Cable Mini USB 4-Pin Male	AE1442-ND	4.59 4.04 3.62	AK670M-1-R
	AE1443-ND			5.64 4.96 4.45	AK670M-2-R	
	AE1283-ND			4.36 3.83 3.44	AK670M-5	
	AE1444-ND			5.18 4.56 4.09	AK670M/2-1-R	
	AE1445-ND			6.24 5.49 4.92	AK670M/2-2-R	
	AE1446-ND			7.66 6.73 6.04	AK670M/2-3-R	
26	1.0 2.0 3.0 5.0	4	Cable Mini USB 2.0, 4-Pin Male	AE1447-ND	10.79 9.49 8.51	AK670M/2-5-R
	AE1448-ND			5.97 5.25 4.71	AK672M-1-R	
	AE9927-ND			6.47 5.69 5.10	AK672M-2-R	
	AE9928-ND			6.60 5.80 5.20	AK672M-3-R	
	AE1449-ND			9.37 8.24 7.39	AK672M-5-R	
	AE1450-ND			3.42 2.44 2.32	AK672M/2-1-R	
27	1.0 2.0 3.0 5.0	4	Cable Mini USB 2.0, 5-Pin Male	AE9929-ND	4.93 3.52 3.35	AK672M/2-2-R
	AE1451-ND			5.99 4.28 4.07	AK672M/2-3-R	
	AE1452-ND			8.71 7.66 6.87	AK672M/2-5-R	
	AE10311-ND			5.48 4.82 4.32	AK669M-1-R	
	AE10312-ND			6.07 5.34 4.79	AK669M-2-R	
	AE9855-ND			3.47 2.48 2.36	AK670-OE-R	
28	2.0 2.0 5.0	4	Cable USB A Male, Open End Cable USB A-Male Male	AE9930-ND	6.34 5.57 5.00	AK670/2-R
	AE1453-ND			11.52 10.13 9.08	AK670-5-R	
	AE1454-ND			4.72 4.15 3.72	AK670/2-1-R	
	AE1455-ND			8.09 7.11 6.37	AK670/2-3-R	
29	1.0 3.0 5.0	4	Cable USB 2.0, A-A Male	AE1456-ND	11.65 10.24 9.18	AK670/2-5-R

◆ RoHS Compliant

(Continued)



More Product Available Online: www.digkey.com

Toll-Free: 1-800-344-4539 • Phone 218-681-6674 • Fax: 218-681-3380