



FLZ Series 0.5mm FFC/FPC Connectors



A

This extremely small 0.5mm (.020") pitch connector with a height of only 2.0mm (.079") above the PCB surface allows interconnection in extremely small spaces and is an example of JST's leading edge technology. **Features:** • Zero insertion force mechanism increases wear resistance and extends the connector's mating life • Heat resistant design suitable for surface mounting to allow for reflow soldering • In-line surface mount tails for easy inspection • Two types of connectors:

normal or reverse configurations; the FFC/FPC is positioned with its mating surfaces facing upward for the normal configured connector, while the reverse configuration requires that the FFC/FPC be positioned with its mating surfaces facing down giving the engineer greater freedom in designing the circuitry. **Specifications:** • Current Rating: 0.5A AC/DC • Voltage Rating: 50V AC/DC • Temperature Range: -25°C - 85°C • Withstanding Voltage: 200V AC/minute

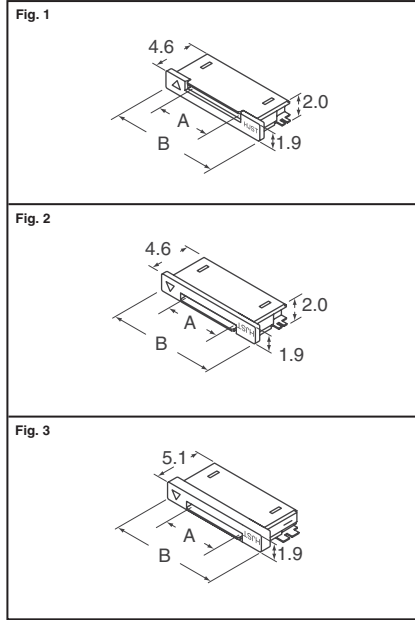


Fig.	Circuits	Dimensions - (mm)		Digi-Key Part No.	Cut Tape Pricing			Tape & Reel† Pricing 2,000	JST Part No.
		A	B		10	100	500		
Normal Type									
1	6	2.5	8.9	455-1960-1-ND	7.44	62.04	248.14	411.91/M	06FLZ-SM2-TB(LF)(SN)
	7	3.0	9.4	455-1962-1-ND	7.70	64.15	256.60	425.96/M	07FLZ-SM2-TB(LF)(SN)
	8	3.5	9.9	455-1964-1-ND	7.96	66.33	265.30	440.40/M	08FLZ-SM2-TB(LF)(SN)
	9	4.0	10.4	455-1966-1-ND	9.22	76.79	307.17	509.90/M	09FLZ-SM2-TB(LF)(SN)
	12	5.5	11.9	455-1968-1-ND	10.06	83.85	335.39	556.75/M	12FLZ-SM2-TB(LF)(SN)
	14	6.5	12.9	455-1970-1-ND	10.46	87.14	348.57	578.63/M	14FLZ-SM2-TB(LF)(SN)
	16	7.5	13.9	455-1972-1-ND	11.27	93.91	375.62	623.53/M	16FLZ-SM2-TB(LF)(SN)
	20	9.5	15.9	455-1974-1-ND	11.84	98.65	394.60	655.04/M	20FLZ-SM2-TB(LF)(SN)
	24	11.5	17.9	455-1977-1-ND	13.64	113.66	454.64	754.70/M	24FLZ-SM2-TB(LF)(SN)
	26	12.5	18.9	455-1979-1-ND	14.16	118.01	472.05	783.61/M	26FLZ-SM2-TB(LF)(SN)
	27	13.0	19.4	455-1981-1-ND	14.41	120.07	480.28	797.27/M	27FLZ-SM2-TB(LF)(SN)
	28	13.5	19.9	455-1983-1-ND	14.51	120.90	483.60	802.78/M	28FLZ-SM2-TB(LF)(SN)
33	16.0	22.4	455-1986-1-ND	15.88	132.34	529.37	878.76/M	33FLZ-SM2-TB(LF)(SN)	
Reverse Type									
2	6	2.5	8.9	455-1959-1-ND	7.41	61.74	246.97	409.97/M	06FLZ-RSM2-TB(LF)(SN)
	7	3.0	9.4	455-1961-1-ND	7.70	64.15	256.60	420.45/M	07FLZ-RSM2-TB(LF)(SN)
	8	3.5	9.9	455-1963-1-ND	7.91	65.92	263.66	437.68/M	08FLZ-RSM2-TB(LF)(SN)
	9	4.0	10.4	455-1965-1-ND	9.18	76.47	305.89	507.78/M	09FLZ-RSM2-TB(LF)(SN)
	12	5.5	11.9	455-1967-1-ND	10.00	83.32	333.28	553.25/M	12FLZ-RSM2-TB(LF)(SN)
	14	6.5	12.9	455-1969-1-ND	10.41	86.73	346.92	575.89/M	14FLZ-RSM2-TB(LF)(SN)
	16	7.5	13.9	455-1971-1-ND	11.06	92.18	368.72	612.08/M	16FLZ-RSM2-TB(LF)(SN)
	20	9.5	15.9	455-1973-1-ND	11.69	97.45	389.81	647.09/M	20FLZ-RSM2-TB(LF)(SN)
	22	10.5	16.9	455-1975-1-ND	12.33	102.73	410.90	682.10/M	22FLZ-RSM2-TB(LF)(SN)
	24	11.5	17.9	455-1976-1-ND	13.58	113.14	452.54	751.22/M	24FLZ-RSM2-TB(LF)(SN)
	26	12.5	18.9	455-1978-1-ND	14.08	117.37	469.46	779.31/M	26FLZ-RSM2-TB(LF)(SN)
	27	13.0	19.4	455-1980-1-ND	14.33	119.42	477.69	792.97/M	27FLZ-RSM2-TB(LF)(SN)
28	13.5	19.9	455-1982-1-ND	14.51	120.90	483.60	802.78/M	28FLZ-RSM2-TB(LF)(SN)	
30	14.5	20.9	455-1984-1-ND	15.30	127.48	509.91	846.45/M	30FLZ-RSM2-TB(LF)(SN)	
Inner-Lock Reverse Type									
3	34	16.5	23.6	455-1987-1-ND	17.36	144.65	578.58	960.45/M	34FLZ-RSM2-R-TB(LF)(SN)
	40	19.5	26.6	455-1988-1-ND	19.14	159.47	637.86	1058.85/M	40FLZ-RSM2-R-TB(LF)(SN)

† For Tape and Reel part number, change 1-ND to 2-ND.

FMN Series 1.0mm FFC/FPC Connectors



Features: • Height: 3.0mm (.118") side-entry type; 5.1mm (.201") top-entry type • There are no slides or levers to operate on the reduced insertion force connector. It requires 1/2 the insertion force of JST's conventional FFC connector, but retains stable contact performance when subjected to environmental and mechanical stresses. • SMT type connectors

have heat-resistant housings so solder reflow is possible. They also have solder tabs for extra strength. **Specifications:** • Current Rating: 0.5A DC • Voltage Rating: 50V DC • Temperature Range: -25°C - 85°C • Applicable PC Board Thickness: 1.6mm (.063)

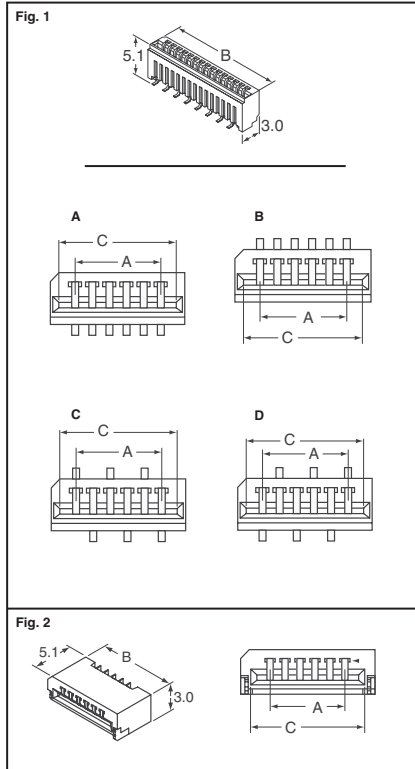


Fig.	Circuits	Dimensions (mm)			Digi-Key Part No.	Cut Tape Pricing			Tape & Reel† Pricing 2,000	JST Part No.	
		A	B	C		10	100	500			
Top Entry — Single Row											
1A	4	3.0	6.0	5.0	455-2194-1-ND	3.36	28.01	112.05	1,000	186.00	04FMN-BMT-A-TF(LF)(SN)
	8	7.0	10.0	9.0	455-1925-1-ND	4.55	37.89	151.57	1,000	251.61	08FMN-BMT-A-TF(LF)(SN)
	10	9.0	12.0	11.0	455-1930-1-ND	5.07	42.29	169.16	1,000	280.81	10FMN-BMT-A-TF(LF)(SN)
	12	11.0	14.0	13.0	455-1935-1-ND	5.75	47.93	191.73	1,000	318.27	12FMN-BMT-A-TF(LF)(SN)
	18	17.0	20.0	19.0	455-1946-1-ND	7.50	62.48	249.93	1,000	414.88	18FMN-BMT-A-TF(LF)(SN)
	22	21.0	24.0	23.0	455-1952-1-ND	9.07	75.62	302.47	1,000	502.10	22FMN-BMT-A-TF(LF)(SN)
	30	29.0	32.0	31.0	455-1957-1-ND	11.35	94.82	378.47	1,000	628.26	30FMN-BMT-A-TF(LF)(SN)
Top Entry — Single Row (Reverse)											
1B	10	9.0	12.0	11.0	455-1931-1-ND	5.07	42.29	169.16	1,000	280.81	10FMN-BMTR-A-TB(LF)(SN)
	18	17.0	20.0	19.0	455-1947-1-ND	7.50	62.48	249.93	1,000	414.88	18FMN-BMTR-A-TB(LF)(SN)
Top Entry — Staggered											
1C	4	3.0	6.0	5.0	455-1918-1-ND	3.36	28.01	112.05	1,000	186.00	04FMN-BMTTN-A-TF(LF)(SN)
	5	4.0	7.0	6.0	455-1920-1-ND	3.63	30.24	120.95	1,000	200.78	05FMN-BMTTN-A-TF(LF)(SN)
	6	5.0	8.0	7.0	455-1922-1-ND	3.89	32.41	129.63	1,000	215.19	06FMN-BMTTN-A-TF(LF)(SN)
	8	7.0	10.0	9.0	455-1926-1-ND	4.55	37.89	151.57	1,000	251.61	08FMN-BMTTN-A-TF(LF)(SN)
	9	8.0	11.0	10.0	455-1929-1-ND	4.81	40.06	160.25	1,000	266.02	09FMN-BMTTN-A-TF(LF)(SN)
	10	9.0	12.0	11.0	455-1932-1-ND	5.07	42.29	169.16	1,000	280.81	10FMN-BMTTN-A-TF(LF)(SN)
	13	12.0	15.0	14.0	455-1938-1-ND	5.98	49.86	199.45	1,000	331.09	13FMN-BMTTN-A-TF(LF)(SN)
	14	13.0	16.0	15.0	455-1940-1-ND	6.21	51.79	207.15	1,000	343.87	14FMN-BMTTN-A-TF(LF)(SN)
	15	14.0	17.0	16.0	455-1943-1-ND	6.55	54.61	218.44	1,000	362.61	15FMN-BMTTN-A-TF(LF)(SN)
	20	19.0	22.0	21.0	455-1949-1-ND	8.25	68.73	274.90	1,000	456.33	20FMN-BMTTN-A-TF(LF)(SN)
1D	25	24.0	27.0	26.0	455-1954-1-ND	10.03	83.55	334.18	2,000	1109.48	25FMN-BMTTN-A-TF(LF)(SN)
	40	39.0	42.0	41.0	455-1958-1-ND	13.88	115.63	462.50	1,000	767.75	40FMN-BMTTN-A-TF(LF)(SN)
	Top Entry — Staggered (Reverse)										
1D	10	9.0	12.0	11.0	455-1933-1-ND	5.07	42.29	169.16	1,000	280.81	10FMN-BMTRT-A-TB(LF)(SN)
	12	11.0	14.0	13.0	455-1936-1-ND	5.75	47.93	191.73	1,000	318.27	12FMN-BMTRT-A-TB(LF)(SN)
	14	13.0	16.0	15.0	455-1941-1-ND	6.21	51.79	207.15	1,000	343.87	14FMN-BMTRT-A-TB(LF)(SN)
	16	15.0	18.0	17.0	455-1944-1-ND	6.96	58.03	232.12	2,000	770.64	16FMN-BMTRT-A-TB(LF)(SN)
	18	17.0	20.0	19.0	455-1948-1-ND	7.50	62.48	249.93	2,000	829.77	18FMN-BMTRT-A-TB(LF)(SN)
	20	19.0	22.0	21.0	455-1950-1-ND	8.25	68.73	274.90	1,000	456.33	20FMN-BMTRT-A-TB(LF)(SN)
Side Entry											
2	4	3.0	7.0	5.0	455-1919-1-ND	3.36	28.01	112.05	2,000	186.01/M	04FMN-SMT-A-TF(LF)(SN)
	5	4.0	8.0	6.0	455-1921-1-ND	3.63	30.24	120.95	2,000	200.78/M	05FMN-SMT-A-TF(LF)(SN)
	6	5.0	9.0	7.0	455-1923-1-ND	3.89	32.41	129.63	2,000	215.19/M	06FMN-SMT-A-TF(LF)(SN)
	7	6.0	10.0	8.0	455-1924-1-ND	4.16	34.64	138.54	2,000	229.98/M	07FMN-SMT-A-TF(LF)(SN)
	8	7.0	11.0	9.0	455-1927-1-ND	4.55	37.89	151.57	2,000	251.61/M	08FMN-SMT-A-TF(LF)(SN)
	9	8.0	12.0	10.0	455-1929-1-ND	4.81	40.06	160.25	2,000	266.02/M	09FMN-SMT-A-TF(LF)(SN)
	10	9.0	13.0	11.0	455-1934-1-ND	5.07	42.29	169.16	2,000	280.81/M	10FMN-SMT-A-TF(LF)(SN)
	12	11.0	15.0	13.0	455-1937-1-ND	5.75	47.93	191.73	2,000	318.27/M	12FMN-SMT-A-TF(LF)(SN)
	13	12.0	16.0	14.0	455-1939-1-ND	5.98	49.86	199.45	2,000	331.09/M	13FMN-SMT-A-TF(LF)(SN)
	14	13.0	17.0	15.0	455-1942-1-ND	6.21	51.79	207.15	2,000	343.87/M	14FMN-SMT-A-TF(LF)(SN)
	16	15.0	19.0	17.0	455-1945-1-ND	6.96	58.03	232.12	2,000	385.32/M	16FMN-SMT-A-TF(LF)(SN)
	20	19.0	23.0	21.0	455-1951-1-ND	8.25	68.73	274.90	2,000	456.34/M	20FMN-SMT-A-TF(LF)(SN)
	24	23.0	27.0	25.0	455-1953-1-ND	9.76	81.32	325.28	2,000	539.97/M	24FMN-SMT-A-TF(LF)(SN)
	26	25.0	29.0	27.0	455-1955-1-ND	10.29	85.77	343.08	2,000	569.52/M	26FMN-SMT-A-TF(LF)(SN)
28	27.0	31.0	29.0	455-1956-1-ND	10.88	90.63	362.51	2,000	601.77/M	28FMN-SMT-A-TF(LF)(SN)	

† For Tape and Reel part number, change 1-ND to 2-ND.

More Product Available Online: www.digikey.com

Toll-Free: 1-800-344-4539 • Phone 218-681-6674 • Fax: 218-681-3380