

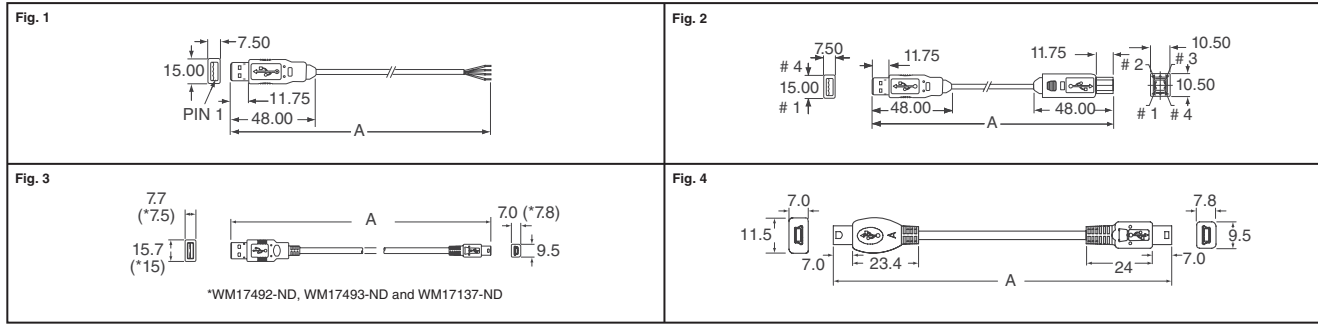
molex USB Cable Assemblies and Connectors



Fig. 1 and Fig. 2: Features: • Fully-shielded and polarized plugs • Friction grip on over-molded body facilitates easy mating and unmating • Electrical: • Voltage: 30V • Current: 1.0A • Contact Resistance: 30mΩ max. • Dielectric Withstanding Voltage: 750VAC • Insulation Resistance: 1000MΩ min. • Mechanical: • Mating Force: 35N max. • Withdrawal Force: 10N min. • Durability: 1500 cycles min.

Fig. 3: Features: • Fully compliant with current USB 2.0 specifications • Electrical: • Voltage: 30V • Current: 1.0A • Insulation Resistance: 100MΩ min.

Fig. 4: Features: • Contact: Copper (Cu) Alloy • Plating Contact: 0.76µm (30µ") Gold (Au) • Color: White • Electrical: Current: 1.0A max. • Voltage: 30V max. • Dielectric Strength: 500VDC • Insulation Resistance: 100MΩ



A

Fig.	Dimensions A mm	Description	Digi-Key Part No.	1	Price Each 10	25	Molex Part No.
1	2080	USB Type "A-to-Pigtail" Full-Rated – White	WM17104-ND	4.58	3.67	3.06	88728-3400
	2080	USB Type "A-to-Pigtail" Sub-Channel – White	WM17105-ND	3.22	2.58	2.15	88738-8200
2	820	USB Type "A-to-B" Full-Rated – White	WM17133-ND	4.11	3.29	2.74	88732-9000
	2090	USB Type "A-to-B" Full-Rated – White	WM17103-ND	5.17	4.14	3.45	88732-9200
	5010	USB Type "A-to-B" Full Rated – White	WM17134-ND	11.78	9.43	7.86	88732-9400
3	1000	USB Type "A to Mini-B" – White	WM17492-ND	4.25	3.41	2.84	88732-8600
	1000	USB Type "A to Mini-B" – Black	WM17493-ND	4.25	3.41	2.84	88732-8602
	2000	USB Type "A to Mini-B" – White	WM17132-ND	3.71	2.97	2.48	88732-8900
	2000	USB Type "A to Mini-B" – Black	WM17137-ND NEW!	6.25	5.01	4.17	88732-8902
4	1000	USB Type "Mini-A to Mini-B" – White	WM17494-ND	4.08	3.27	2.73	88753-8200
	1800	USB Type "Mini-A to Mini-B" – White	WM17135-ND	6.36	5.09	4.24	88753-8500

Industrial Ethernet Plugs and Jacks, Category 5E and USB



Category 5E: Specifications: • Contact: Phosphor Bronze (CuSn) • Plating Contact: 1.27µm (50µ") Gold (Au) • Under Plating: Nickel (Ni) • Housing Material: PA Polyamide (Nylon), PBT Polyester, TPE Thermo Plastic Elastomer • Color: Black • Flammability: UL 94V-0 • Durability (mating cycles): 500 cycles minimum • Current: 1.5A maximum • Voltage: 125V maximum • Withstanding Voltage: 1000VAC • Contact Resistance: 20mΩ maximum • Insulation Resistance: 500MΩ minimum

USB: • Specifications: • Voltage: 30V • Current: 1.0A • Receptacle Housing: PBT, Black • Overmolding: PVC, Black • Contact: Copper Alloy • Plating: Contact Area – 0.75µm (30µ") Gold (Au) • Operating Temperature: 0°C – 70°C • Flammability: UL94V-0 • Performance: USB 2.0 • Industrial Seal Rating: NEMA 6p and IP67

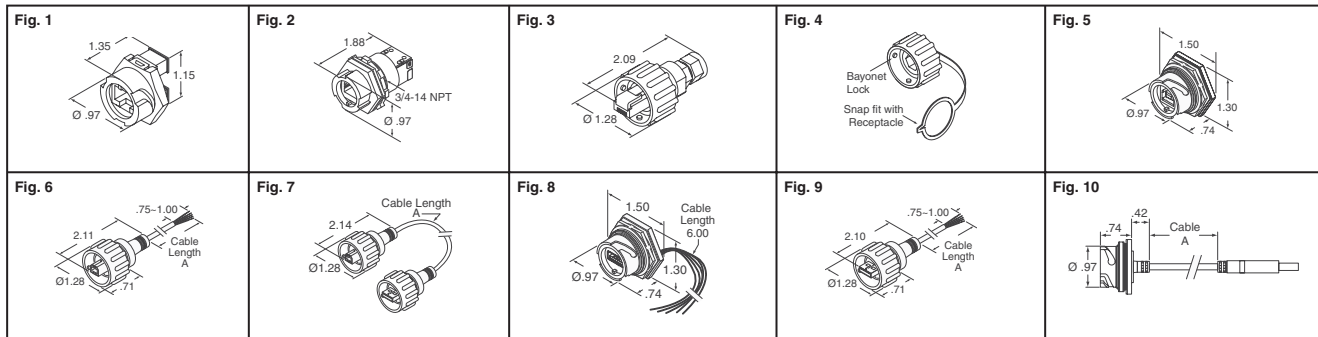


Fig.	Circuits-Contacts	Cable Length A Inch	Description	Digi-Key Part No.	1	Price Each 10	100	Molex Part No.
1	8-8	—	Receptacle, Panel Mount	WM17486-ND	30.22	27.20	24.18	84702-0006-P
	8-8	—	Receptacle, Panel Mount, Fully Potted	WM17487-ND	35.80	32.22	28.64	84702-0008-P
	8-8	—	Receptacle, Panel Mount, PCB	WM17491-ND	8.59	7.73	6.87	84702-0005
2	8-8	—	Receptacle, Bulkhead	WM17488-ND	35.43	31.89	28.35	84700-0001-P
3	8-8	—	Plug	WM17489-ND	20.46	18.42	16.37	84700-0002-P
4	—	—	Universal Dust Cover for Ethernet Receptacle	WM17490-ND	9.30	8.37	7.44	84700-0003-P
5	4	—	Receptacle, Panel Mount, USB B	WM17514-ND	11.94	10.75	9.56	84730-0001
	4	—	Receptacle, Panel Mount, USB A, PCB	WM17495-ND	11.84	10.66	9.47	84729-0009
6	4	59.06	Plug, USB B, Shielded Pigtail	WM17515-ND	25.83	23.25	20.67	84728-1002
	4	118.11	Plug, USB B, Shielded Pigtail	WM17516-ND	27.74	24.97	22.19	84728-1003
7	4	59.06	Dual Plug, USB A and B, Shielded Cable	WM17517-ND	24.73	22.26	19.79	84732-0002
	4	118.11	Dual Plug, USB A and B, Shielded Cable	WM17518-ND	26.15	23.54	20.92	84732-0004
8	4	—	Receptacle, Panel Mount, USB A, Pigtail	WM17519-ND	12.30	11.07	9.84	84729-0001
9	4	59.06	Plug, USB A, Shielded Pigtail	WM17520-ND	25.83	23.25	20.67	84727-1002
	4	118.11	Plug, USB A, Shielded Pigtail	WM17521-ND	27.74	24.97	22.19	84727-1003
10	4	31.88	USB A Cord Assembly Plug and Receptacle	WM17496-ND	13.74	12.37	11.00	84729-0004
	4	81.89	USB A Cord Assembly Plug and Receptacle	WM17497-ND	16.32	14.70	13.06	84729-0006
Crimp Tool for Ethernet Plug, 8-8				WM18998-ND NEW!	47.58	—	—	64016-0044

More Product Available Online: www.digikey.com

Toll-Free: 1-800-344-4539 • Phone 218-681-6674 • Fax: 218-681-3380