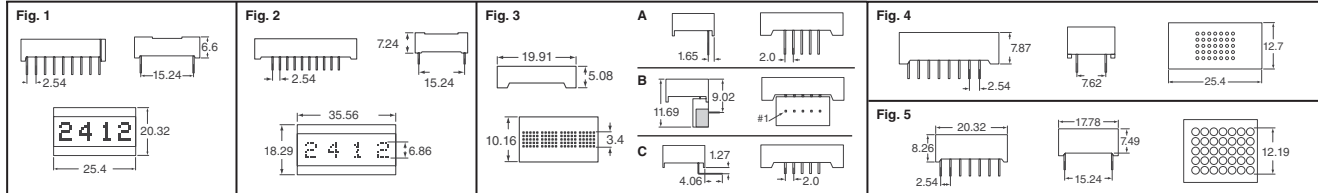


| Fig. | Emitted Color | Lens Color | Color Temp. (K) | Forward Voltage (V) (Typ.) | Forward Current (mA) | Typ. mcd @ Current (mA) | View Angle (°) | Digi-Key Part No. | Cut Tape Pricing | | | Tape and Reel | | Osram Part No. |
|------|---------------|------------|-----------------|----------------------------|----------------------|-------------------------|----------------|---------------------------|------------------|--------|---------|---------------|----------|-------------------------------|
| | | | | | | | | | 1 | 10 | 100 | Qty. | Pricing | |
| 16 | Warm White | Clear | 2700 | 20.8 | 1000 | 75,000 @ 700 | 120 | 475-1290-ND*▲ | 12.00 | 96.00 | 870.00 | — | — | LE CW E3A-LZNX-Q3R5 |
| | Warm White | Clear | 3000 | 20.8 | 1000 | 75,000 @ 700 | 120 | 475-1291-ND*▲ | 12.00 | 96.00 | 870.00 | — | — | LE CW E3A-MXNY-N3P5 |
| | Warm White | Clear | 4200 | 20.8 | 1000 | 75,000 @ 700 | 120 | 475-1292-ND*▲ | 31.05 | 248.40 | 2251.13 | — | — | LE CW E3A-MYNZ-H3K5 |
| 17 | White | Clear | 5600 | 3.4 | 500 | 17,450 @ 500 | 120 | 475-1328-1-ND | 4.95 | 41.25 | 330.00 | — | — | LW C9SP-FOGA-58-Z |
| | White | Clear | 6500 | 3.6 | 20 | 5,085 @ 20 | 20 | 475-1420-ND; NEW! | .64 | 5.12 | 46.40 | — | — | LW 541C-AWDW-6K9L-0-20-BULK-I |
| 24 | White | Diffused | 7300 | 2.90 | 20 | 98 @ 10 | 150/155 | 475-2540-1-ND NEW! | 1.00 | 8.30 | 66.42 | 4,000 | 498.00/M | LW Q183-P2R1-24-1-10-R18 |
| | White | Diffused | 7300 | 2.90 | 20 | 135 @ 10 | 150/155 | 475-2541-1-ND NEW! | 1.03 | 8.61 | 68.88 | 4,000 | 517.00/M | LW Q183-Q2R2-24-1-10-R18 |
| 26 | White | Clear | 5600 | 3.5 | 2000 | 57.8cd @ 1.4A | 140 | 475-2587-1-ND NEW! | 14.42 | 120.13 | 961.00 | 200 | 1441.60 | LW W5AP-LZMZ-5K8L-Z |

§ For Tape and Reel part number, change 1-ND to 2-ND. ‡ Bulk * Tray ▲ Reverse Mount ◊ 4 Chip ▲ 6 Chip

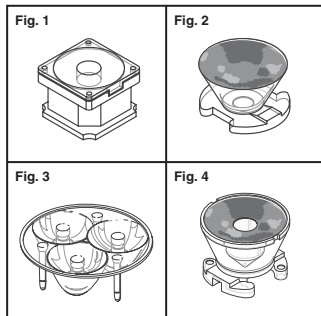
NEW! Dot Matrix Displays



| Fig. | Emitted Color | Peak Wavelength (nm) | No. of Character | Character Height (in.) | Luminous Intensity (mcd) | Digi-Key Part No. | 1 | Price Each | 10 | 100 | Osram Part No. |
|----------------|---------------|----------------------|------------------|------------------------|--------------------------|-------------------|-------|------------|-------|-----------|----------------|
| 1 | Green | 565 | 4 | 0.200 | 120 | 475-1352-ND | 16.50 | 13.20 | 11.97 | DLG2416 | |
| | Red | 660 | 4 | 0.200 | 60 | 475-1362-ND | 16.50 | 13.20 | 11.97 | DLR2416 | |
| | High Eff. Red | 630 | 4 | 0.200 | 100 | 475-1357-ND | 16.50 | 13.20 | 11.97 | DLQ2416 | |
| 2 | High Eff. Red | 630 | 4 | 0.270 | 90 | 475-1421-ND | 17.00 | 13.60 | 12.33 | PD3535 | |
| | Bright Green | 565 | 4 | 0.270 | 90 | 475-1422-ND | 17.00 | 13.60 | 12.33 | PD3537 | |
| | High Eff. Red | 630 | 4 | 0.450 | 90 | 475-1423-ND | 28.00 | 22.40 | 20.30 | PD4435 | |
| 3A 3B 3C | Bright Green | 565 | 4 | 0.450 | 90 | 475-1424-ND | 28.00 | 22.40 | 20.30 | PD4437 | |
| | Super-Red | 630 | 4 | 0.134 | 1.8 | 475-1425-ND | 18.00 | 14.40 | 13.05 | SCD05542P | |
| | Super-Red | 630 | 4 | 0.134 | 1.8 | 475-1426-ND | 18.20 | 14.56 | 13.20 | SCD05542R | |
| 4 | Green | 565 | 4 | 0.134 | 1.8 | 475-1427-ND | 18.00 | 14.40 | 13.05 | SCD05543Q | |
| | Super-Red | 635 | 1 | 0.43 | 1500 | 475-1359-ND | 11.20 | 8.96 | 8.12 | DL04135 | |
| | Green | 565 | 1 | 0.43 | 1500 | 475-1354-ND | 11.20 | 8.96 | 8.12 | DLG4137 | |
| 5 | Super-Red | 635 | 1 | 0.68 | 1500 | 475-1360-ND | 12.00 | 9.60 | 8.70 | DLG7135 | |
| | Green | 565 | 1 | 0.68 | 1500 | 475-1355-ND | 12.00 | 9.60 | 8.70 | DLG7137 | |
| | Green | 565 | 4 | 0.180 | 75 | 475-2573-ND | 18.00 | 14.40 | 13.05 | SLG2016 | |
| 6 | Super-Red | 635 | 4 | 0.180 | 60 | 475-2574-ND | 18.00 | 14.40 | 13.05 | SL02016 | |
| | Red | 660 | 4 | 0.180 | 50 | 475-2575-ND | 18.00 | 14.40 | 13.05 | SLR2016 | |
| | Yellow | 585 | 4 | 0.180 | 60 | 475-2576-ND | 18.00 | 14.40 | 13.05 | SLY2016 | |
| 7 | High Eff. Red | 630 | 4 | 0.270 | 120 | 475-1358-ND | 17.00 | 13.60 | 12.33 | DLQ3416 | |
| | Red | 660 | 4 | 0.270 | 60 | 475-1363-ND | 17.00 | 13.60 | 12.33 | DLR3416 | |
| | Green | 565 | 4 | 0.270 | 140 | 475-1353-ND | 17.00 | 13.60 | 12.33 | DLG3416 | |
| 8 | Super-Red | 630 | 8 | 0.180 | 75 | 475-2577-ND | 30.88 | 24.71 | 22.39 | SCS5782 | |
| | Green | 565 | 8 | 0.180 | 75 | 475-2578-ND | 30.88 | 24.71 | 22.39 | SCS5783 | |
| | Red | 660 | 4 | 0.145 | 50 | 475-1361-ND | 16.00 | 12.80 | 11.60 | DLR1414 | |
| 9 | High Eff. Red | 630 | 4 | 0.145 | 60 | 475-1356-ND | 16.00 | 12.80 | 11.60 | DLQ1414 | |

LEDIL LED Lenses

Features: • Lens material optical grade PC and PMMA with high UV and temperature resistance • High optical efficiency • Even color distribution over the whole beam angle



| Fig. | Description | Lens Type | Beam Angle (°) | Digi-Key Part No. | Price Each | LEDIL Part No. |
|-----------------|--------------------|----------------------------|----------------|-------------------|------------|-----------------|
| 1 | OSS Dragon Square | Real Spot | 6 | 711-1000-ND | 2.10 | OSS-RS |
| | | Smooth Spot | 14 | 711-1001-ND | 2.10 | OSS-SS |
| | | Diffuser | 12 | 711-1002-ND | 2.10 | OSS-D |
| | | Medium | 30 | 711-1003-ND | 2.10 | OSS-M |
| | | Wide | 60 | 711-1004-ND | 2.10 | OSS-W |
| | | Oval | 12 x 48 | 711-1005-ND | 2.10 | OSS-O |
| 2 | Titanium Dragon | Smooth Spot | 14 | 711-1006-ND | 2.10 | TITANUM-SS |
| | | Oval | 6 x 36 | 711-1007-ND | 2.10 | TITANUM-O |
| | | Wide | 70 | 711-1008-ND | 2.10 | TITANUM-W |
| 3 | Titanium-3 Dragon | Spot | 14 | 711-1009-ND | 3.90 | TITANUM-3-S |
| | | Medium | 30 | 711-1010-ND | 3.90 | TITANUM-3-M |
| | | Wide | 60 | 711-1011-ND | 3.90 | TITANUM-3-W |
| 4 | Ledilstar-L Ostar® | Lighting Spot | 12 | 711-1012-ND | 3.20 | LEDILSTAR-L-S |
| | | Lighting Spot | 12 | 711-1017-ND | 3.20 | LEDILSTAR-L-S-2 |
| | | Lighting Wide | 32 | 711-1013-ND | 3.20 | LEDILSTAR-L-W |
| | | Lighting Wide | 32 | 711-1018-ND | 3.20 | LEDILSTAR-L-W-2 |
| | | Projection Spot | 12 | 711-1014-ND | 3.20 | LEDILSTAR-P-S |
| | | Projection Mixing SUB Lens | 14 | 711-1015-ND | .80 | LEDILSTAR-P-SUB |
| Projection Wide | 32 | 711-1016-ND | 3.20 | LEDILSTAR-P-W | | |

Digi-Reel® Most SMT cutdown parts are available on a Digi-Reel®. For Digi-Reel part number, change 1-ND to 6-ND or CT-ND to DKR-ND. See Digi-Key® Services on page 2 for additional information.

More Product Available Online: www.digkey.com