



**Panel Mount LEDs (Cont.)**

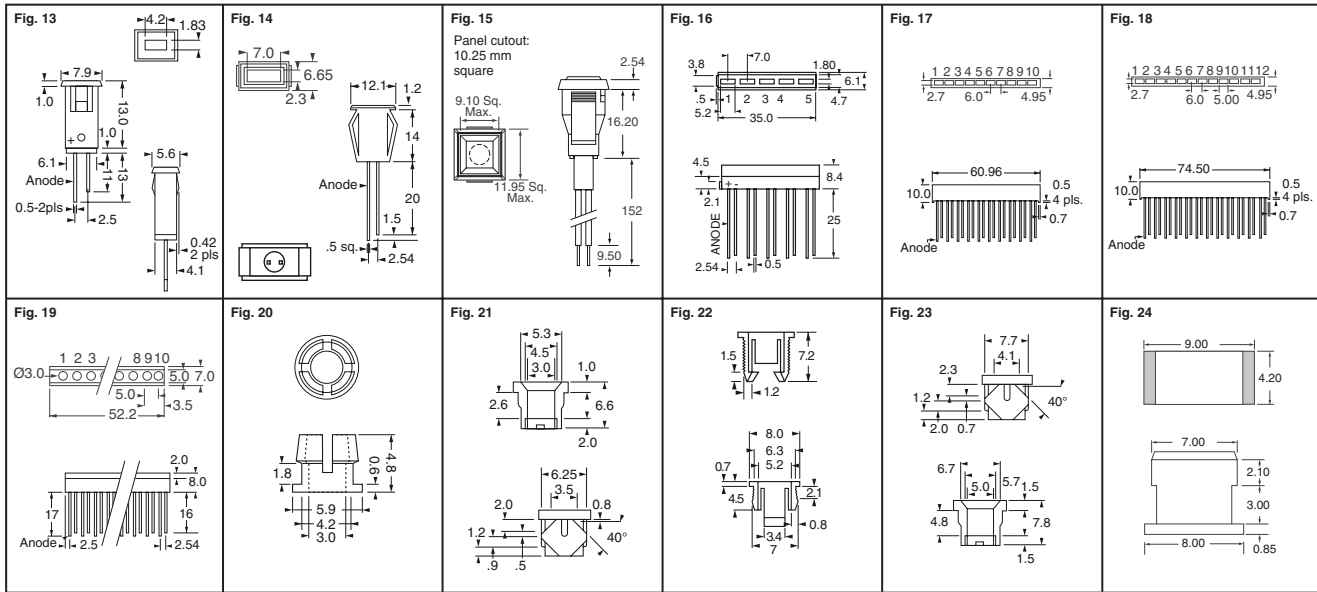


Fig.	Description	Emitted Color	Lens	Peak Wavelength (nm)	V <sub>f</sub> (V) Typical	I <sub>f</sub> (mA) Maximum	I <sub>o</sub> (mcd)	Viewing Angle (2x Theta)	Digi-Key Part No.	Price Each			Lumex Part No.
										1	10	50	
10	8mm	Yellow	Yellow Diffused	585	2.1	30	30	60	67-1169-ND	.70	.56	.49	SSI-LXH8080YD
		Green	Green Diffused	565	2.2	25	30	60	67-1168-ND	.70	.56	.49	SSI-LXH8080GD
11	10mm	Super Red	Red Diffused	660	1.7	30	80	60	67-1174-ND	.98	.78	.69	SSI-LXH1090SRD
		Red	Red Diffused	635	2.0	30	40	60	67-1171-ND	.85	.68	.60	SSI-LXH1090ID
		Yellow	Yellow Diffused	585	2.1	30	30	60	67-1173-ND	.85	.68	.60	SSI-LXH1090YD
		Green	Green Diffused	565	2.2	25	30	60	67-1172-ND	.85	.68	.60	SSI-LXH1090GD
12	5mm	Super Red	Red Diffused	660	1.8	30	20	80	67-1178-ND	.80	.64	.56	SSI-LXH55SRD
		Red	Red Diffused	635	2.0	30	10	80	67-1175-ND	.65	.52	.46	SSI-LXH55ID
		Yellow	Yellow Diffused	585	2.1	30	10	80	67-1177-ND	.65	.52	.46	SSI-LXH55YD
		Green	Green Diffused	565	2.2	25	10	80	67-1176-ND	.65	.52	.46	SSI-LXH55GD
13	2 x 5mm	Super Red	Red Diffused	660	1.7	30	25	110	67-1182-ND	1.15	.92	.81	SSI-LXMP059SRD
		Red	Red Diffused	635	2.0	30	10	110	67-1179-ND	.95	.76	.67	SSI-LXMP059ID
		Yellow	Yellow Diffused	585	2.1	30	10	110	67-1181-ND	.95	.76	.67	SSI-LXMP059YD
		Green	Green Diffused	565	2.2	25	10	110	67-1180-ND	.95	.76	.67	SSI-LXMP059GD
14	2.3 x 7mm	Super Red	Red Diffused	660	1.7	30	50	110	67-1186-ND	1.00	.80	.70	SSI-LXH072SRD
		Red	Red Diffused	635	2.0	30	15	110	67-1183-ND	.85	.68	.60	SSI-LXH072ID
		Yellow	Yellow Diffused	585	2.1	30	9	110	67-1185-ND	.85	.68	.60	SSI-LXH072YD
		Green	Green Diffused	565	2.2	25	9	110	67-1184-ND	.85	.68	.60	SSI-LXH072GD
15	9 x 9mm	Super Red	Water Clear	660	1.8	30	60	60	67-1545-ND	1.65	1.32	1.16	SSI-LXMP5011SRC-150
		Red	Water Clear	635	2.0	30	20	60	67-1544-ND	1.50	1.20	1.05	SSI-LXMP50111C-150
		Yellow	Water Clear	585	2.1	30	15	60	67-1546-ND	1.50	1.20	1.05	SSI-LXMP5011YC-150
		Green	Water Clear	565	2.2	25	15	60	67-1543-ND	1.50	1.20	1.05	SSI-LXMP5011GC-150
16	2 x 5mm	Super Red	Red Diffused	660	1.7	30	40	110	67-1204-ND	2.48	1.98	1.74	SSA-LXB525SRD
		Red	Red Diffused	635	2.0	30	12	110	67-1201-ND	1.53	1.22	1.07	SSA-LXB525ID
		Yellow	Yellow Diffused	585	2.1	30	10	110	67-1203-ND	1.60	1.28	1.12	SSA-LXB525YD
		Green	Green Diffused	565	2.0	25	10	110	67-1202-ND	1.53	1.22	1.07	SSA-LXB525GD
17	2.5 x 5mm	Super Red	Red Diffused	660	1.8	30	25	60	67-1208-ND	4.45	3.56	3.12	SSA-LXH1025SRD
		Red	Red Diffused	635	2.0	30	10	60	67-1205-ND	3.10	2.48	2.17	SSA-LXH1025ID
		Yellow	Yellow Diffused	585	2.1	30	10	60	67-1207-ND	3.48	2.78	2.44	SSA-LXH1025YD
		Green	Green Diffused	565	2.2	25	10	60	67-1206-ND	3.10	2.48	2.17	SSA-LXH1025GD
18	2.5 x 5mm	Super Red	Red Diffused	660	2.0	30	30	80	67-1212-ND	6.63	5.30	4.64	SSA-LXH1225SRD
		Red	Red Diffused	635	2.0	30	10	80	67-1209-ND	4.55	3.64	3.19	SSA-LXH1225ID
		Yellow	Yellow Diffused	585	2.1	30	10	80	67-1211-ND	4.78	3.82	3.35	SSA-LXH1225YD
		Green	Green Diffused	565	2.0	30	10	80	67-1210-ND	4.55	3.64	3.19	SSA-LXH1225GD
19	3mm	Super Red	Red Diffused	660	1.7	30	25	80	67-1216-ND	5.48	4.38	3.84	SSA-LXB1025SRD
		Red	Red Diffused	635	2.0	30	8	80	67-1213-ND	3.73	2.98	2.61	SSA-LXB1025ID
		Yellow	Yellow Diffused	585	2.1	30	8	80	67-1215-ND	3.48	2.78	2.44	SSA-LXB1025YD
		Green	Green Diffused	565	2.1	25	8	80	67-1214-ND	3.73	2.98	2.61	SSA-LXB1025GD

◆ RoHS Compliant

**LED Holders**

Fig.	Description	Panel Hole	Digi-Key Part No.	Pricing			Lumex Part No.
				5	25	100	
20	T1 Black Nylon	.160" (4.06)	67-1330-ND	.60	2.25	7.50	SSH-LX3050
21	T1 Black Nylon	.225" (5.71)	67-1331-ND	.60	2.25	7.50	SSH-LXH301
22	T1-3/4 Black Nylon	.250" (6.35)	67-1332-ND	.40	1.50	5.00	SSH-LX5091
23	T1-3/4 Black Nylon	.330" (8.38)	67-1333-ND	.60	2.25	7.50	SSH-LXH501
24	Mounting Clip and Ring for T1-3/4	.250" (6.35)	67-1044-ND	.36	1.35	4.50	SSH-LX5090

◆ RoHS Compliant

**More Product Available Online: [www.digikey.com](http://www.digikey.com)**

Toll-Free: 1-800-344-4539 • Phone 218-681-6674 • Fax: 218-681-3380

(T083) 2503

