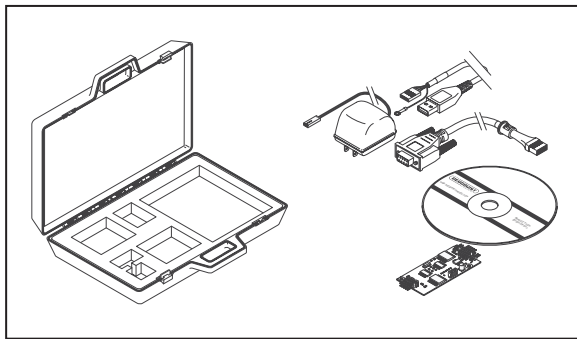




5-Wire Resistive Touch Screens

The Bergquist 5-Wire Resistive Touch Screens are inherently the most durable resistive touch screens on the market, engineered to withstand high-usage environments. Unlike other resistive technologies that must use two opposing layers to create X- and Y- axis measurements (such as 4-wire and 8-wire technologies), 5-wire sensors utilize a stable glass substrate for both X- and Y- axis measurements. **Features:** • Durability: 35 Million actuations/Drift-free operation at all times • Accuracy: 98.5% accurate - without external electronic correction

• Actuation: Any finger, glove or stylus • Optics: Index-matched materials provide 81% light transmission and patented spacer dot design • Warranty: All 5-wire touch screens come with a 5-year warranty
Touch Screen Starter Kit Contains: • Touch Screen Controller • RS-232 and USB Cable • Software and Drivers • 110V Power Supply • Documentation and Manuals • Plastic Case • Storage space for touch screen
Note: Appropriate touch screen must be purchased separately



Size (Inches)	Outside Dimensions (mm)	Active Area (mm)	Digi-Key Part No.	Price Each	Bergquist Part No.
5-Wire Touch Screens — RoHS Compliant					
6.4	153.9 x 126.5	133.0 x 99.3	BER234-ND	49.00	400265-01
8.4	196.5 x 196.5	174.0 x 131.4	BER235-ND	55.00	400273-01
10.4	231.8 x 182.4	213.0 x 160.4	BER236-ND	59.00	400302
12.1	271.27 x 205.74	248.87 x 187.4	BER248-ND	83.70	400403
12.1	271.27 x 205.74	248.87 x 187.4	BER249-ND NEW!	91.45	400404
12.3	271.3 x 205.7	248.9 x 187.4	BER237-ND	62.00	400201-02
15.0	322.0 x 245.5	303.5 x 227.5	BER247-ND NEW!	100.75	400384
15.1	342.9 x 264.4	309.9 x 231.9	BER238-ND	83.00	400211-02
19.2	406.3 x 323.4	380.9 x 305.6	BER240-ND	107.00	400225-01
Accessories					
Controller Touch Screen USB RS232			BER241-ND	34.00	500499
6' Cable RS-232 for Touch Screen			BER242-ND	8.00	400196
6' Cable USB for Touch Screen			BER243-ND	8.00	400199
Power Supply for Touch Screen			BER244-ND	12.00	400294
Kit — RoHS Compliant					
Starter Kit for Touch Screen			BER245-ND	125.00	400293

◆ RoHS Compliant

TOSHIBA TFT LCD Displays



Size (Inches)	Resolution (Pixels)	Outline Dimensions - mm W x H x D	Brightness (cd/m ²)	Contrast Ratio	Viewing Angle		Power Consumption (Watts)	Operating Temperature (°C)	I/F Signal	Type	Digi-Key Part No.	Price Each		
					Vertical	Horizontal						1	10	100
3.5	320 x 240	90 x 72 x 9	350	350	120	140	0.87	-20 - 70	CMOS	QVGA	LTA035A350F-ND	142.50	133.00	123.50
5.6	1024 x 600	136.8 x 85.9 x 2.95	300	400	50	80	1.40	0 - 50	LVDS	WSVGA	LTD056ET2S-ND NEW!	367.50	343.00	318.50
5.7	320 x 240	144 x 104.8 x 9.3	400	500	120	140	1.36	-20 - 70	CMOS	QVGA	LTA057A340F-ND	202.50	189.00	175.50
5.8	400 x 234	145 x 89 x 15.8	350	100	90	110	7.50	-20 - 60	Composite	WQVGA	TFD58W29MW-ND NEW!	300.00	280.00	260.00
5.8	400 x 234	145 x 89 x 15.8	350	350	90	110	7.50	-20 - 60	Composite	WQVGA	TFD58W262MW-ND	300.00	280.00	260.00
6.5	640 x 480	153 x 121 x 10.9	400	500	120	140	3.70	-20 - 70	LVDS	VGA	LTA065B0D2F-ND NEW!	315.00	294.00	273.00
7.0	800 x 480	170.8 x 110 x 10	280	450	100	120	3.11	-10 - 60	CMOS	WVGA	LTA070A321F-ND	277.50	259.00	240.50
7.5	640 x 480	195.2 x 137.5 x 9.5	350	380	120	140	3.40	-20 - 70	CMOS	VGA	LTA075A362F-ND NEW!	345.00	322.00	299.00
8.4	800 x 600	199.5 x 149.5 x 12	350	300	90	100	6.40	-10 - 60	LVDS	SVGA	LTM08C351R-ND	427.50	399.00	370.50
8.5	800 x 480	224 x 135 x 14	215	250	100	120	5.50	-10 - 70	CMOS	WVGA	LTA085C184F-ND	318.00	296.80	275.60
8.9	1280 x 768	224 x 133 x 5.15	225	140	50	50	2.94	0 - 50	LVDS	WXGA	LTD089EXWWS-ND	510.00	476.00	442.00
10.4	640 x 480	238.5 x 177.5 x 12	400	500	120	140	6.30	-10 - 65	CMOS	VGA	LTD104C11R-ND	382.50	357.00	331.50

† Composite Video and Analog RGB § With LED Driver ‡ With Touchscreen ▲ 4 Wire Touch Panel ◊ Anti-Reflective Coating Δ Transflective

SHARP TFT LCD Displays

MICROELECTRONICS Normal Display White

Size (Inches)	Pixel Format*	Outline Dimensions - mm W x H x D	Brightness (nits)	Contrast Ratio	Viewing Angle		Total Power Typical (W)	Operating Temperature (°C)	Type	Digi-Key Part No.	Price Each			Sharp Part No.
					Vertical	Horizontal					1	10	100	
3.0	320 x 320	66.8 x 68.5 x 3.6	100	—	40/50	100	0.35	-10 - 60	QVGA	425-2479-ND	152.72	128.80	115.00	LQ03087DD01
3.5	240 x 320	65.0 x 85.0 x 3.4	55	15/85	100/100	100	0.35	-10 - 60	QVGA	425-2481-ND	181.36	152.95	136.57	LQ0305Q7DB03
3.6	320 x 240	82.8 x 69.7 x 3.3	300	300	130/130	160	0.43	-10 - 60	QVGA	425-2482-ND	143.18	120.75	107.82	LQ0361DA01
3.8	240 x 320	69.0 x 88.6 x 3.4	90	8/75	100/100	100	0.52	0 - 50	QVGA	425-2649-ND	209.99	177.10	158.13	LQ038Q7DB03R
3.8	320 x 240	117.6 x 89.45 x 13.45	450	100	—	130	3.36	-30 - 85	QVGA	425-2484-ND	314.99	265.65	237.19	LQ038Q5DR01
5.0	320 x 240	119.4 x 89.1 x 12.7	380	—	—	130	4.15	-30 - 85	QVGA	425-2485-ND	353.17	297.85	265.94	LQ050Q5DR01
5.0	960 x 234	126.8 x 89.6 x 16.5	320	60	40/65	130	5.37	-30 - 85	QVGA	425-2486-ND	276.00	243.80	225.40	LQ5AW136
8.0	640 x 480	183.0 x 141.0 x 14.0	380	250	65/55	130	6.20	0 - 55	VGA	425-2489-ND	491.63	434.27	401.50	LQ080V3DG01
8.4	640 x 480	216.0 x 152.4 x 12.0	300	250	55/40	110	5.45	0 - 55	VGA	425-2490-ND	526.13	464.75	429.67	LQ084V1DG21
8.4	800 x 600	199.5 x 149.5 x 11.6	350	250	30/65	110	6.02	-10 - 65	SVGA	425-2491-ND	560.63	495.22	457.85	LQ084S3DG01
10.4	640 x 480	246.5 x 179.4 x 14.2	350	300	40/70	140	6.76	-10 - 65	VGA	425-2470-ND	508.88	449.51	415.59	LQ104V1DG51
10.4	800 x 600	246.5 x 179.4 x 15.0	350	300	40/70	140	7.80	-10 - 65	SVGA	425-2472-ND	517.50	457.13	422.63	LQ104S1DG21
12.1	800 x 600	276.4 x 209.0 x 11.0	350	300	50/60	140	8.02	-10 - 65	SVGA	425-2473-ND	422.63	373.32	345.15	LQ121S1DG41
12.1	800 x 600	276.0 x 209.0 x 11.0	350	300	50/60	140	8.02	-10 - 65	SVGA	425-2474-ND	422.63	373.32	345.15	LQ121S1LG41
15.0	1024 x 768	331.6 x 254.76 x 12.5	600	350	55/45	120	15.49	0 - 60	XGA	425-2475-ND	508.88	449.51	415.59	LQ150X1LG81
15.0	1024 x 768	346.0 x 255.0 x 11.0	250	350	55/45	120	10.20	0 - 50	XGA	425-2476-ND	391.35	330.05	294.69	LQ150X1LG82A

◆ RoHS Compliant * 1 Pixel = R+G+B dots † Vertical Viewing Angle 12 o'clock and 6 o'clock

DIGITALVIEW LCD Controller Boards and Accessories

Digital View is the leading supplier of advanced interface solutions for the flat panel display market.

Description	Digi-Key Part No.	1	Price Each	50	Digital View Part No.
Controller Boards — RoHS Compliant					
ALR-1400 PC/DVI Controller for TFT Panel	586-1016-ND	131.67	—	—	4171000XX-3
SP-1600 PC, DVI Controller for TFT Panel	586-1019-ND	263.34	—	—	4169900XX-3
Accessories					
Add-on Board for LVDS Displays	586-1020-ND	61.18	—	—	416212201-3
Add-on Board for LVDS Displays	586-1002-ND	61.18	—	—	4162135-XX
4-Way Inverter Cable	586-1007-ND	10.00	7.50	6.25	426040200
5-Way Inverter Cable	586-1008-ND	10.00	7.50	6.25	426058300-3
Cable for Controller ACG-1024 (4167202-xx)	586-1009-ND	44.00	33.00	27.50	426311200-3
Cable for Controller ACG-1024 (4167201-xx)	586-1010-ND	38.00	28.50	23.75	426311600
LVDS Cable for Controller AL-1280 (4169300-xx)	586-1011-ND	28.00	21.00	17.50	426472600
LVDS Cable for Controller AL-1280 (4169300-xx)	586-1013-ND	46.00	34.50	28.75	426473000
LVDS Cable	586-1014-ND	28.00	21.00	17.50	426474300
Panel Cable for Controller SVH-1920 (4263112-00)	586-1017-ND	40.00	30.00	25.00	426500400-3
Panel Cable for Controller SVH-1920 (4263116-00)	586-1018-ND	40.00	30.00	25.00	426500500-3
Kit					
OSD Board Kit with Cable ACG/AVP/SVP/SV	586-1015-ND	48.00	36.00	30.00	KIT 60109

◆ RoHS Compliant

More Product Available Online: www.digkey.com

Toll-Free: 1-800-344-4539 • Phone 218-681-6674 • Fax: 218-681-3380

2466 (T083)