



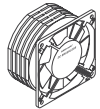
AC Axial Fans



NMB-MAT AC Axial Fans suit a wide range of applications. They force air out in a "funnel" type pattern, and are ideal when cooling a specific area such as a power supply that is surrounded by numerous components with minimum ventilation available.

Size (mm)	Bearing	Voltage	Input Power (W)	Air Flow (CFM)	Noise (dB)	Leads	Digi-Key Part No.	Price Each			NMB Technologies Part No.	Finger Guard	Price Each		
								1	5	10					
60x30	Ball	115	4.0	9.18	29	22AWG, 300mm Leads	P12871-ND	16.88	14.52	12.49	2412PS-12W-B30-A00	CR221-ND	.68		
80x25	Ball	115	5.0	19.77	33	22AWG, 300mm Leads	P12872-ND	17.00	14.62	12.58	3110PS-12W-B30-A00	CR229-ND	.70		
80x38	Ball	115	4.0	18.0	31	.110 Terminal	P12888-ND	16.50	14.19	12.21	3115FS-12T-B00-A00	CR229-ND	.70		
		115	4.0	19.4	25	22AWG, 300mm Leads	P12993-ND	17.00	14.62	12.58	3115PS-12W-B10-A00	CR229-ND	.70		
		230	6.5	20.0	35	.110 Terminal	P12875-ND	16.50	14.19	12.21	3115FS-23T-B10-A00	CR229-ND	.70		
		230	6.5	20.0	35	22AWG, 300mm Leads	P12879-ND	16.50	14.19	12.21	3115FS-23W-B10-A00	CR229-ND	.70		
		115	6.0	22.0	36	.110 Terminal	P12873-ND	17.00	14.62	12.58	3115FS-12T-B10-A00	CR229-ND	.70		
		115	6.0	22.0	36	22AWG, 300mm Leads	P12877-ND	16.50	14.19	12.21	3115FS-12W-B10-A00	CR229-ND	.70		
		230	5.0	22.0	26	22AWG, 300mm Leads	P12997-ND	17.00	14.62	12.58	3115PS-23W-B10-A00	CR229-ND	.70		
		230	6.0	26.0	34	.110 Terminal	P12995-ND	17.00	14.62	12.58	3115PS-23T-B20-A00	CR229-ND	.70		
		230	6.0	26.0	34	22AWG, 300mm Leads	P12998-ND	17.00	14.62	12.58	3115PS-23W-B20-A00	CR229-ND	.70		
		115	7.0	27.0	40	.110 Terminal	P12989-ND	16.50	14.19	12.21	3115FS-12T-B20-A00	CR229-ND	.70		
		115	7.0	27.0	40	22AWG, 300mm Leads	P12990-ND	16.50	14.19	12.21	3115FS-12W-B20-A00	CR229-ND	.70		
		115	7.0	31.77	38	.110 Terminal	P12881-ND	17.00	14.62	12.58	3115PS-12T-B30-A00	CR229-ND	.70		
		115	8.5	32.0	44	.110 Terminal	P12874-ND	17.00	14.62	12.58	3115FS-12T-B30-A00	CR229-ND	.70		
		115	8.5	32.0	44	22AWG, 300mm Leads	P12878-ND	17.00	14.62	12.58	3115FS-12W-B30-A00	CR229-ND	.70		
		115	7.0	32.0	38	22AWG, 300mm Leads	P12882-ND	17.00	14.62	12.58	3115PS-12W-B30-A00	CR229-ND	.70		
		230	8.0	32.0	38	.110 Terminal	P12996-ND	17.00	14.62	12.58	3115PS-23T-B30-A00	CR229-ND	.70		
		230	8.0	32.0	38	22AWG, 300mm Leads	P12999-ND	17.00	14.62	12.58	3115PS-23W-B30-A00	CR229-ND	.70		
		230	8.0	33.0	44	.110 Terminal	P12876-ND	17.00	14.62	12.58	3115PS-23T-B30-A00	CR229-ND	.70		
		230	8.0	33.0	44	22AWG, 300mm Leads	P12880-ND	17.00	14.62	12.58	3115FS-23W-B30-A00	CR229-ND	.70		
		92x25	Ball	115	6.0	20.0	25	.110 Terminal	P13100-ND	17.25	14.84	12.77	3610PS-12T-B10-A00	CR220-ND	.77
115	6.0			20.0	25	22AWG, 300mm Leads	P13102-ND	17.25	14.84	12.77	3610PS-12W-B10-A00	CR220-ND	.77		
230	6.0			20.0	26	.110 Terminal	P13103-ND	17.25	14.84	12.77	3610PS-23T-B10-A00	CR220-ND	.77		
115	6.0			28.0	35	.110 Terminal	P13101-ND	17.25	14.84	12.77	3610PS-12T-B20-A00	CR220-ND	.77		
230	6.0			28.0	35	.110 Terminal	P13104-ND	17.25	14.84	12.77	3610PS-23T-B20-A00	CR220-ND	.77		
115	9.0			34.5	38	22AWG, 300mm Leads	P12884-ND	17.25	14.84	12.77	3610PS-12W-B30-A00	CR220-ND	.77		
230	10.0			34.5	39	22AWG, 300mm Leads	P12886-ND	17.25	14.84	12.77	3610PS-23W-B30-A00	CR220-ND	.77		
115	9.0			34.6	38	.110 Terminal	P12883-ND	17.25	14.84	12.77	3610PS-12T-B30-A00	CR220-ND	.77		
230	10.0			34.6	39	.110 Terminal	P12885-ND	17.25	14.84	12.77	3610PS-23T-B30-A00	CR220-ND	.77		
119x25	Ball			115	7.0	53.0	30	.110 Terminal	P12887-ND	17.25	14.84	12.77	4710PS-12T-B20-A00	CR224-ND	.91
		230	8.0	53.0	30	.110 Terminal	P12889-ND	17.25	14.84	12.77	4710PS-23T-B20-A00	CR224-ND	.91		
		115	11.0	70.6	38	.110 Terminal	P12888-ND	17.25	14.84	12.77	4710PS-12T-B30-A00	CR224-ND	.91		
		230	11.0	70.6	38	.110 Terminal	P12890-ND	17.25	14.84	12.77	4710PS-23T-B30-A00	CR224-ND	.91		
		115	5.5	49.4	28	.110 Terminal	P12891-ND	16.25	13.98	12.03	4715MS-12T-B10-A00	CR224-ND	.91		
119x38	Ball	230	7.5	67.0	30	.110 Terminal	P13110-ND	16.25	13.98	12.03	4715MS-23T-B20-A00	CR224-ND	.91		
		115	7.0	67.1	30	.110 Terminal	P12892-ND	16.25	13.98	12.03	4715MS-12T-B20-A00	CR224-ND	.91		
		115	10.0	70.0	33	.110 Terminal	P12895-ND	16.88	14.52	12.49	4715FS-12T-B10-D00	CR224-ND	.91		
		230	9.0	70.0	70	.110 Terminal	P12897-ND	16.88	14.52	12.49	4715FS-23T-B10-D00	CR224-ND	.91		
		230	11.0	88.2	37	.110 Terminal	P13111-ND	16.25	13.98	12.03	4715MS-23T-B30-A00	CR224-ND	.91		
		115	14.5	102	41	.110 Terminal	P12893-ND	16.25	13.98	12.03	4715MS-12T-B50-A00	CR224-ND	.91		
		115	14.5	90.0	39	.110 Terminal	P13106-ND	16.88	14.52	12.49	4715FS-12T-B30-D00	CR224-ND	.91		
		115	13.0	95.0	39	.110 Terminal	P13109-ND	16.25	13.98	12.03	4715MS-12T-B40-A00	CR224-ND	.91		
		230	13.0	95.0	39	.110 Terminal	P13112-ND	16.25	13.98	12.03	4715MS-23T-B40-A00	CR224-ND	.91		
		115	14.0	100.0	42	.110 Terminal	P13107-ND	16.25	13.98	12.03	4715FS-12T-B40-D00	CR224-ND	.91		
		230	14.0	100.0	100	.110 Terminal	P13108-ND	16.88	14.52	12.49	4715FS-23T-B40-D00	CR224-ND	.91		
		230	14.0	102.4	41	.110 Terminal	P12894-ND	16.25	13.98	12.03	4715MS-23T-B50-A00	CR224-ND	.91		
		115	14.4	110	45	.110 Terminal	P12896-ND	16.25	13.98	12.03	4715FS-12T-B50-D00	CR224-ND	.91		
		230	14.0	110	110	.110 Terminal	P12898-ND	16.25	13.98	12.03	4715FS-23T-B50-D00	CR224-ND	.91		
		150x172x38	Ball	115	32.0	21.2	56	.110 Terminal	P12899-ND	51.85	44.60	38.37	5915PC-12T-B30-A00	CR191-ND	2.48
				230	35.0	21.2	56	.110 Terminal	P12900-ND	51.85	44.60	38.37	5915PC-23T-B30-A00	CR191-ND	2.48
				230	18.0	102.3	38	.110 Terminal	P13113-ND	51.85	44.60	38.37	5915PC-23T-B10-A00	CR191-ND	2.48

DC Fans FBL Series



Features:

- Louvered design increases air flow and decreases turbulent noise at standard rating conditions
- Hydro-Wave Bearing Technology

Specifications:

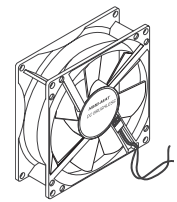
- Operating Temperature: -10°C ~ 70°C (65%RH)
- Plastic Rating: All Panaflo fans are manufactured with a UL94V-0 plastic (flammability)

- Noise Data: The noise data is measured at 1 meter from the air intake side of the fan suspended in a semi-anechoic chamber (background noise 13dB-A maximum)
- Life Expectancy: 50,000 hours (40°C, 65%RH)

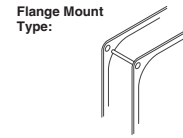
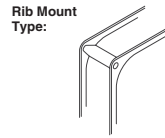
Operating Voltage (VDC)	Dim. (mm)	Input Power (W)	Max. Air Flow (CFM)	Max. Air Pressure (mmH ₂ O)	Max. Noise (dB-A)	Lead Length (mm)	Digi-Key Part No.	Price Each					NMB Technologies Part No.	Finger Guards	Price Each
								1	5	10	50	100			
12	7-13.5	60 x 25.5	3.24	15.89	4.7	42.0	P10893-ND	8.75	7.53	6.48	5.81	5.25	FBL06A12U1A	CR221-ND	.68
12	7-13.8	60 x 25.5	2.64	14.83	4.1	36.0	P10892-ND	8.50	7.31	6.29	5.65	5.10	FBL06A12H1A	CR221-ND	.68
12	7-13.8	60 x 25.5	2.04	13.06	3.0	32.0	P10891-ND	8.50	7.31	6.29	5.65	5.10	FBL06A12M1A	CR221-ND	.68
12	7-13.8	60 x 25.5	1.68	14.83	2.1	29.0	P10890-ND	8.75	7.53	6.48	5.81	5.25	FBL06A12L1A	CR221-ND	.68
24	14-27.6	60 x 25.5	3.24	15.89	4.7	42.0	P11017-ND	8.75	7.53	6.48	5.81	5.25	FBL06A24U1A	CR221-ND	.68
24	14-27.6	60 x 25.5	1.68	14.83	2.1	29.0	P11014-ND	8.50	7.31	6.29	5.65	5.10	FBL06A24L1A	CR221-ND	.68
12	7-13.5	80 x 25.5	4.32	35.31	4.7	42.0	P11082-ND	9.25	7.96	6.85	6.15	5.55	FBL08A12U1BX	CR180-ND	.93
12	7-13.8	80 x 25.5	4.32	35.31	4.0	42.0	P10897-ND	8.75	7.53	6.48	5.81	5.25	FBL08A12U1A	CR180-ND	.93
12	7-13.8	80 x 25.5	3.00	30.01	2.9	39.0	P10896-ND	8.50	7.31	6.29	5.65	5.10	FBL08A12H1A	CR180-ND	.93
12	7-13.8	80 x 25.5	2.04	24.71	2.0	33.0	P10895-ND	8.75	7.53	6.48	5.81	5.25	FBL08A12M1A	CR180-ND	.93
24	14-27.6	80 x 25.5	3.00	30.00	2.9	39.0	P11020-ND	8.50	7.31	6.29	5.65	5.10	FBL08A24U1A	CR180-ND	.93
24	14-27.6	80 x 25.5	2.04	24.71	2.0	33.0	P11019-ND	8.50	7.31	6.29	5.65	5.10	FBL08A24M1A	CR180-ND	.93
24	14-27.6	80 x 25.5	1.20	17.30	1.1	26.0	P11018-ND	8.50	7.31	6.29	5.65	5.10	FBL08A24L1A	CR180-ND	.93
12	7-13.5	92 x 25.5	3.48	45.89	3.3	40.0	P10900-ND	8.50	7.31	6.29	5.65	5.10	FBL09A12H1A	CR220-ND	.77
12	7-13.5	92 x 25.5	3.48	45.9	3.3	40.0	P11083-ND	9.25	7.96	6.85	6.15	5.55	FBL09A12H1BX	CR220-ND	.77
12	7-13.8	92 x 25.5	2.40	35.30	2.3	36.0	P10899-ND	8.50	7.31	6.29	5.65	5.10	FBL09A12M1A	CR220-ND	.77
24	14-27.6	92 x 25.5	6.60	54.70	4.4	47.0	P11025-ND	8.50	7.31	6.29	5.65	5.10	FBL09A24U1A	CR220-ND	.77
24	14-27.6	92 x 25.5	6.60	54.70	4.4	47.0	P11092-ND	9.25	7.96	6.85	6.15	5.55	FBL09A24U1BX	CR220-ND	.77
24	14-27.6	92 x 25.5	3.48	45.89	3.3	40.0	P11024-ND	8.50	7.31	6.29	5.65	5.10	FBL09A24H1A	CR220-ND	.77
24	14-27.6	92 x 25.5	2.40	35.30	2.3	36.0	P11023-ND	8.50	7.31	6.29	5.65	5.10	FBL09A24M1A		



DC Axial Fans



NMB-MAT combines the Panasonic PanaFlo and NMB fan product lines. NMB-MAT offers a comprehensive line of cooling products, including AC and DC axial fans and blowers ranging from 25mm to 172mm in diameter. NMB-MAT leverages its expertise to develop and produce superior cooling fans and blowers.



Specifications: • Operating Temperature: -10°C – 60/70°C by model (65%RH)

Features: • Aerodynamic blade and venturi design • They are ideal when cooling a specific area that is surrounded by numerous components with minimum ventilation available.

Please Note: Custom Fan Cable Assemblies available upon request.

Dimensions (mm)	Operating Voltage (VDC)		Input Power (W)	Max. Air Flow (CFM)	Max. Air Pressure (In H ₂ O)	Max. Noise (dB-A)	Lead Length (mm)	Bearing	Sensors	Mount Type	Digi-Key Part No.	Price Each			NMB Technologies Part No.	Finger Guards	Price Each	
	Nom.	Range										1	5	10				
25x10	5	4.5 - 5.5	0.625	2.0	.20	25.0	200	Ball	—	Rib	P12806-ND	13.58	11.68	10.05	1004KL-01W-B50-800	CR181-ND	.54	
	12	8 - 13.8	0.72	2.0	.20	25.0	200	Ball	—	Rib	P12807-ND	13.58	11.68	10.05	1004KL-04W-B50-800	CR181-ND	.54	
	12	8 - 13.8	0.72	2.0	.20	25.0	200	Ball	Lock Rotor	Rib	P13383-ND	14.20	12.22	10.51	1004KL-04W-B59-800	CR181-ND	.54	
30x10	5	4.5 - 5.5	0.90	3.8	.216	27.0	200	Ball	—	Rib	P12808-ND	14.13	12.15	10.46	1204KL-01W-B50-800	CR377-ND	.64	
	5	4.5 - 5.5	0.90	3.8	.216	27.0	200	Ball	Lock Rotor	Rib	P13384-ND	14.75	12.69	10.92	1204KL-01W-B59-800	CR377-ND	.64	
	12	6 - 13.8	0.96	3.8	.216	27.0	200	Ball	—	Rib	P12809-ND	14.13	12.15	10.46	1204KL-04W-B50-800	CR377-ND	.64	
35x10	5	4.5 - 5.5	1.05	5.6	.16	27.0	200	Ball	—	Rib	P12810-ND	14.13	12.15	10.46	1404KL-01W-B50-800	CR378-ND	.66	
	5	4.5 - 5.5	1.05	5.6	.16	27.0	200	Ball	Tac	Rib	P13386-ND	14.38	12.37	10.64	1404KL-01W-B59-850	CR378-ND	.66	
	12	8 - 13.8	0.96	5.6	.16	27.0	200	Ball	—	Rib	P12811-ND	14.13	12.15	10.46	1404KL-04W-B50-800	CR378-ND	.66	
40x10	5	4.5 - 5.5	0.775	6.0	.184	29.0	200	Ball	—	Rib	P12812-ND	11.83	10.17	8.76	1604KL-01W-B50-800	CR230-ND	.65	
	5	4.5 - 5.5	0.775	6.0	.184	29.0	200	Ball	Lock Rotor	Rib	P13388-ND	12.45	10.71	9.22	1604KL-01W-B59-800	CR230-ND	.65	
	12	10.2 - 13.8	0.876	5.3	.136	25.0	200	Ball	—	Rib	P12813-ND	11.83	10.17	8.76	1604KL-04W-B40-800	CR230-ND	.65	
40x15	5	4.5 - 5.5	0.600	6.0	.145	28.0	200	Ball	—	Rib	P12814-ND	11.83	10.17	8.76	1606KL-01W-B30-L00	CR230-ND	.65	
	5	4.5 - 5.5	1.20	8.12	.252	34.0	200	Ball	—	Rib	P12815-ND	11.83	10.17	8.76	1606KL-01W-B50-L00	CR230-ND	.65	
	5	4.5 - 5.5	1.20	8.12	.252	34.0	200	Ball	Lock Rotor	Rib	P13390-ND	12.45	10.71	9.22	1606KL-01W-B59-L00	CR230-ND	.65	
40x20	12	10.2 - 13.8	0.804	6.0	.145	28.0	200	Ball	—	Rib	P12816-ND	11.83	10.17	8.76	1606KL-04W-B30-L00	CR230-ND	.65	
	12	10.2 - 13.8	1.02	8.12	.252	34.0	200	Ball	—	Rib	P12817-ND	11.83	10.17	8.76	1606KL-04W-B50-L00	CR230-ND	.65	
	24	22.0 - 25.2	1.488	8.1	.252	34.0	200	Ball	Lock Rotor	Rib	P13391-ND	12.45	10.71	9.22	1606KL-04W-B59-L00	CR230-ND	.65	
50x10	5	4.5 - 5.5	0.35	4.9	.08	20.0	200	Ball	—	Rib	P12818-ND	11.83	10.17	8.76	1608KL-01W-B10-L00	CR230-ND	.65	
	5	4.5 - 5.5	0.60	6.0	.12	22.5	200	Ball	—	Rib	P13576-ND	11.83	10.17	8.76	1608KL-01W-B20-L00	CR230-ND	.65	
	5	4.5 - 5.5	1.35	8.4	.21	29.0	200	Ball	—	Rib	P13577-ND	11.83	10.17	8.76	1608KL-01W-B40-L00	CR230-ND	.65	
	5	4.5 - 5.5	1.90	9.5	.28	33.0	200	Ball	—	Rib	P12819-ND	11.83	10.17	8.76	1608KL-01W-B50-L00	CR230-ND	.65	
	5	4.5 - 5.5	1.90	9.5	.28	33.0	200	Ball	Lock Rotor	Rib	P13393-ND	12.45	10.71	9.22	1608KL-01W-B59-L00	CR230-ND	.65	
	12	4.5 - 6.0	1.40	6.7	.256	33.0	300	Ball	—	Rib	P9701-ND	15.00	12.90	11.10	FBK04F05H	CR230-ND	.65	
	12	10.2 - 13.8	0.48	4.9	.08	20.0	200	Ball	—	Rib	P12820-ND	11.83	10.17	8.76	1608KL-04W-B10-L00	CR230-ND	.65	
	12	10.2 - 13.8	0.72	6.0	.12	22.5	200	Ball	—	Rib	P13578-ND	11.83	10.17	8.76	1608KL-04W-B20-L00	CR230-ND	.65	
	12	10.2 - 13.8	0.72	6.0	.12	22.5	200	Ball	Lock Rotor	Rib	P13579-ND	12.45	10.71	9.22	1608KL-04W-B29-L00	CR230-ND	.65	
	12	10.2 - 13.8	0.84	7.4	.17	25.5	200	Ball	—	Rib	P13580-ND	11.83	10.17	8.76	1608KL-04W-B30-L00	CR230-ND	.65	
	52x15	12	10.2 - 13.8	1.08	8.4	.21	29.0	200	Ball	—	Rib	P13581-ND	11.83	10.17	8.76	1608KL-04W-B40-L00	CR230-ND	.65
		12	10.2 - 13.8	1.08	8.4	.21	29.0	200	Ball	Lock Rotor	Rib	P13582-ND	12.45	10.71	9.22	1608KL-04W-B49-L00	CR230-ND	.65
12		10.2 - 13.8	1.32	9.5	.28	33.0	200	Ball	—	Rib	P12821-ND	11.83	10.17	8.76	1608KL-04W-B50-L00	CR230-ND	.65	
12		10.2 - 13.8	1.32	9.5	.28	33.0	200	Ball	Lock Rotor	Rib	P13394-ND	12.45	10.71	9.22	1608KL-04W-B59-L00	CR230-ND	.65	
24		20.0 - 25.2	0.96	4.9	.08	20.0	200	Ball	—	Rib	P12822-ND	11.83	10.17	8.76	1608KL-05W-B10-L00	CR230-ND	.65	
24		20.0 - 25.2	1.68	8.4	.21	29.0	200	Ball	—	Rib	P13585-ND	11.83	10.17	8.76	1608KL-05W-B40-L00	CR230-ND	.65	
24		20.0 - 25.2	1.92	9.5	.28	33.0	200	Ball	—	Rib	P12823-ND	11.83	10.17	8.76	1608KL-05W-B50-L00	CR230-ND	.65	
24		20.0 - 25.2	1.92	9.5	.28	33.0	200	Ball	Lock Rotor	Rib	P13395-ND	12.45	10.71	9.22	1608KL-05W-B59-L00	CR230-ND	.65	
50x10		5	4.5 - 6.0	1.50	10.2	.14	34.0	200	Ball	—	Rib	P12824-ND	11.83	10.17	8.76	2004KL-01W-B50-800	CR379-ND	.86
		5	4.5 - 6.0	1.50	10.2	.14	34.0	200	Ball	Lock Rotor	Rib	P13396-ND	12.45	10.71	9.22	2004KL-01W-B59-800	CR379-ND	.86
		12	10.2 - 13.8	1.20	10.2	.14	34.0	200	Ball	—	Rib	P12825-ND	11.83	10.17	8.76	2004KL-04W-B50-800	CR379-ND	.86
		12	10.2 - 13.8	1.20	10.2	.14	34.0	200	Ball	Lock Rotor	Rib	P13397-ND	12.45	10.71	9.22	2004KL-04W-B59-800	CR379-ND	.86
60x15	12	10.2 - 13.0	1.56	14.1	.14	30.0	200	Ball	—	Rib	P12826-ND	11.38	9.79	8.42	2106KL-04W-B50-L00	CR388-ND	.59	
	12	10.2 - 13.0	1.56	14.1	.14	30.0	200	Ball	Lock Rotor	Rib	P13398-ND	12.00	10.32	8.88	2106KL-04W-B59-L00	CR388-ND	.59	
	12	7.0 - 13.8	0.48	6.7	.03	19.0	200	Ball	—	Rib	P12827-ND	11.13	9.57	8.24	2406KL-04W-B10-L00	CR221-ND	.68	
	12	6.0 - 13.8	1.08	14.1	.13	28.0	200	Ball	—	Rib	P13494-ND	11.13	9.57	8.24	2406KL-04W-B30-L00	CR221-ND	.68	
	12	6.0 - 13.8	1.08	14.1	.13	28.0	200	Ball	Lock Rotor	Rib	P13495-ND	11.75	10.11	8.70	2406KL-04W-B39-L00	CR221-ND	.68	
	12	6.0 - 13.8	1.92	18.3	.20	34.0	200	Ball	—	Rib	P12828-ND	11.13	9.57	8.24	2406KL-04W-B50-L00	CR221-ND	.68	
	12	6.0 - 13.8	1.92	18.3	.20	34.0	200	Ball	Lock Rotor	Rib	P13399-ND	11.75	10.11	8.70	2406KL-04W-B59-L00	CR221-ND	.68	
	24	12.0 - 27.6	1.44	14.1	.13	28.0	200	Ball	—	Rib	P13496-ND	11.13	9.57	8.24	2406KL-05W-B30-L00	CR221-ND	.68	
	24	10.0 - 27.6	2.40	18.3	.20	34.0	200	Ball	—	Rib	P12829-ND	11.13	9.57	8.24	2406KL-05W-B50-L00	CR221-ND	.68	
	24	14 - 27.6	1.99	16.6	.187	32.0	325	Hydrowave	—	Rib	P9727-ND	10.00	8.60	7.40	FBA06T24H	CR221-ND	.68	
	60x20	12	6.0 - 13.8	0.60	10.9	.07	22.5	300	Ball	—	Rib	P12830-ND	11.25	9.68	8.33	2408NL-04W-B10-L00	CR221-ND	.68
		12	6.0 - 13.8	1.32	17.6	.16	31.5	300	Ball	—	Rib	P12831-ND	11.25	9.68	8.33	2408NL-04W-B50-L00	CR221-ND	.68
12		6.0 - 13.8	1.32	17.6	.16	31.5	300	Ball	Lock Rotor	Rib	P13400-ND	11.88	10.22	8.79	2408NL-04W-B59-L00	CR221-ND	.68	
12		6.0 - 13.8	1.32	17.6	.16	31.5	300	Ball	Lock Rotor	Flange	P13402-ND	11.88	10.22	8.79	2408NL-04W-B59-P00	CR221-ND	.68	
60x25	24	15.0 - 27.6	1.20	15.9	.13	29.0	300	Ball	—	Rib	P12832-ND	11.25	9.68	8.33	2408NL-05W-B40-L00	CR221-ND	.68	
	24	15.0 - 27.6	1.32	17.6	.16	31.5	300	Ball	Lock Rotor	Rib	P13401-ND	11.88	10.22	8.79	2408NL-05W-B59-L00	CR221-ND	.68	
	12	6.0 - 13.8	0.90	13.7	.08	23.0	300	Ball	—	Rib	P12833-ND	10.83	9.31	8.02	2410ML-04W-B10-800	CR221-ND	.68	
	12	6.0 - 13.8	2.04	21.5	.20	33.5	300	Ball	—	Rib	P12834-ND	10.83	9.31	8.02	2410ML-04W-B40-800	CR221-ND	.68	
	12	6.0 - 13.8	1.80	20.3	.20	33.5	300	Ball	Lock Rotor	Rib	P13403-ND	8.08	6.95	5.98	2410RL-04W-B59-C00	CR221-ND	.68	
	12	6.0 - 13.8	3.24	28.5	.27	38.0	300	Ball	Lock Rotor	Rib	P13404-ND	8.08	6.95	5.98	2410RL-04W-B79-C00	CR221-ND	.68	
	12	6.0 - 13.2	6.20	37.0	.57	46.0	300	Ball	Tac	Flange	P13406-ND	12.70	10.93	9.40	2410ML-04W-B89-E50	CR221-ND	.68	
	24	10.0 - 27.6	2.40	23.3	.25	36.5	300	Ball	—	Rib	P12835-ND	10.83	9.31	8.02				



DC Axial Fans (Cont.)

Dimensions (mm)	Operating Voltage (VDC)		Input Power (W)	Max. Air Flow (CFM)	Max. Air Pressure (In H ₂ O)	Max. Noise (dB-A)	Lead Length (mm)	Bearing	Sensors	Mount Type	Digi-Key Part No.	Price Each			NMB Technologies Part No.	Finger Guards	Price Each	
	Nom.	Range										1	5	10				
60x25.5	12	7 - 13.8	2.52	20.5	.236	37.0	315	Hydrowave	---	Flange	P9758-ND	8.25	7.10	6.11	FBA06A12U1A	CR221-ND	.68	
	12	7 - 13.8	2.52	20.5	.236	37.0	315	Hydrowave	Lock Rotor	Flange	P9995-ND	8.50	7.31	6.29	FBA06A12U1BS	CR221-ND	.68	
	12	7 - 13.8	2.04	19.1	.20	32.0	315	Hydrowave	---	Flange	P9729-ND	8.25	7.10	6.11	FBA06A12H1A	CR221-ND	.68	
	12	7 - 13.8	2.04	19.1	.20	32.0	315	Hydrowave	Tac	Flange	P11033-ND	8.75	7.53	6.48	FBA06A12H1BX	CR221-ND	.68	
	12	7 - 13.8	1.56	16.6	.15	28.0	315	Hydrowave	---	Flange	P9767-ND	8.25	7.10	6.11	FBA06A12M1A	CR221-ND	.68	
	12	7 - 13.8	1.32	14.1	.12	24.0	315	Hydrowave	---	Flange	P9728-ND	8.25	7.10	6.11	FBA06A12L1A	CR221-ND	.68	
	12	7 - 13.8	1.32	14.1	.12	24.0	315	Hydrowave	Tac	Flange	P11034-ND	8.75	7.53	6.48	FBA06A12L1BX	CR221-ND	.68	
	24	14 - 27.6	2.52	19.1	.20	32.0	315	Hydrowave	---	Flange	P9731-ND	8.25	7.10	6.11	FBA06A24H1A	CR221-ND	.68	
	24	14 - 27.6	2.16	16.6	.15	28.0	315	Hydrowave	---	Flange	P9768-ND	8.25	7.10	6.11	FBA06A24M1A	CR221-ND	.68	
	24	14 - 27.6	1.68	14.1	.12	24.0	315	Hydrowave	---	Flange	P9730-ND	8.25	7.10	6.11	FBA06A24L1A	CR221-ND	.68	
	80x15	12	6.0 - 13.8	1.32	23.3	.06	26.0	300	Ball	---	Rib	P13571-ND	12.08	10.39	8.94	3106KL-04W-B30-B02	CR180-ND	.93
		12	6.0 - 13.8	1.32	23.3	.06	26.0	300	Ball	Lock Rotor	Rib	P13572-ND	12.70	10.93	9.40	3106KL-04W-B39-B00	CR180-ND	.93
12		6.0 - 13.0	2.76	32.8	.12	34.0	300	Ball	---	Rib	P13498-ND	12.08	10.39	8.94	3106KL-04W-B50-B01	CR180-ND	.93	
12		6.0 - 13.0	2.76	32.8	.12	34.0	300	Ball	Lock Rotor	Rib	P13570-ND	12.70	10.93	9.40	3106KL-04W-B59-B00	CR180-ND	.93	
24		10.0 - 27.6	1.68	23.3	.06	26.0	300	Ball	---	Rib	P13573-ND	12.08	10.39	8.94	3106KL-05W-B30-B00	CR180-ND	.93	
24		10.0 - 27.6	2.88	32.8	.12	34.0	300	Ball	---	Rib	P13573-ND	12.08	10.39	8.94	3106KL-05W-B50-B00	CR180-ND	.93	
24		10.0 - 27.6	2.88	32.8	.12	34.0	300	Ball	Lock Rotor	Rib	P13574-ND	13.00	11.18	9.62	3106KL-05W-B59-B00	CR180-ND	.93	
80x20		12	6.0 - 13.8	1.08	26.5	.08	26.0	300	Ball	---	Flange	P12836-ND	11.55	9.94	8.55	3108NL-04W-B10-P00	CR180-ND	.93
		12	6.0 - 13.8	3.36	44.0	.20	42.0	300	Ball	---	Flange	P12837-ND	11.55	9.94	8.55	3108NL-04W-B50-P00	CR180-ND	.93
		12	6.0 - 13.8	3.36	44.0	.20	42.0	300	Ball	Lock Rotor	Rib	P13408-ND	12.18	10.47	9.01	3108NL-04W-B59-L00	CR180-ND	.93
		24	15.0 - 27.6	1.30	26.5	.08	26.0	300	Ball	---	Flange	P12838-ND	11.55	9.94	8.55	3108NL-05W-B10-P00	CR180-ND	.93
		24	15.0 - 27.6	3.60	44.0	.20	42.0	300	Ball	---	Flange	P12839-ND	11.55	9.94	8.55	3108NL-05W-B59-P00	CR180-ND	.93
	24	15.0 - 27.6	3.60	44.0	.20	42.0	300	Ball	Lock Rotor	Flange	P13409-ND	12.18	10.47	9.01	3108NL-05W-B59-P00	CR180-ND	.93	
80x25	12	6.0 - 13.8	1.20	24.7	.07	22.0	300	Ball	---	Flange	P13485-ND	11.55	9.94	8.55	3110KL-04W-B10-D00	CR180-ND	.93	
	12	6.0 - 13.8	2.04	31.8	.10	26.5	300	Ball	---	Flange	P13486-ND	11.55	9.94	8.55	3110KL-04W-B30-D00	CR180-ND	.93	
	12	6.0 - 13.8	2.76	38.8	.15	34.0	300	Ball	---	Flange	P13487-ND	11.55	9.94	8.55	3110KL-04W-B50-D00	CR180-ND	.93	
	12	6.0 - 13.0	3.12	40.2	.16	35.0	300	Ball	Lock Rotor	Flange	P13488-ND	12.18	10.47	9.01	3110KL-04W-B59-D00	CR180-ND	.93	
	24	10.0 - 27.6	1.44	24.7	.07	22.0	300	Ball	---	Flange	P13489-ND	11.55	9.94	8.55	3110KL-05W-B10-D00	CR180-ND	.93	
	24	10.0 - 27.6	2.88	38.8	.15	34.0	300	Ball	---	Flange	P13490-ND	11.55	9.94	8.55	3110KL-05W-B50-D00	CR180-ND	.93	
80x25.5	12	7 - 13.8	3.24	46.9	.189	38.2	300	Hydrowave	---	Flange	P9759-ND	8.25	7.10	6.11	FBA08A12U1A	CR180-ND	.93	
	12	7 - 13.8	3.24	46.9	.189	38.2	300	Hydrowave	Lock Rotor	Flange	P9997-ND	8.50	7.31	6.29	FBA08A12U1BS	CR180-ND	.93	
	12	7 - 13.8	2.08	39.6	.148	32.0	300	Hydrowave	---	Flange	P9738-ND	8.25	7.10	6.11	FBA08A12H1A	CR180-ND	.93	
	12	7 - 13.8	2.08	39.6	.148	32.0	300	Hydrowave	---	Rib	P11035-ND	8.00	6.88	5.92	FBA08A12H1AZ	CR180-ND	.93	
	12	7 - 13.8	2.08	39.6	.148	32.0	300	Hydrowave	Lock Rotor	Flange	P11036-ND	8.50	7.31	6.29	FBA08A12H1BS	CR180-ND	.93	
	12	7 - 13.8	1.49	32.1	.098	28.0	300	Hydrowave	---	Flange	P9737-ND	8.25	7.10	6.11	FBA08A12M1A	CR180-ND	.93	
	12	7 - 13.8	1.49	32.1	.098	28.0	300	Hydrowave	Lock Rotor	Flange	P11038-ND	8.50	7.31	6.29	FBA08A12M1BS	CR180-ND	.93	
	12	7 - 13.8	1.49	32.1	.098	28.0	300	Hydrowave	Tac	Flange	P11039-ND	8.75	7.53	6.48	FBA08A12M1BX	CR180-ND	.93	
	12	7 - 13.8	0.82	24.0	.061	21.0	300	Hydrowave	---	Flange	P9736-ND	8.25	7.10	6.11	FBA08A12L1A	CR180-ND	.93	
	12	7 - 13.8	0.82	24.0	.061	21.0	300	Hydrowave	---	Rib	P11037-ND	8.25	7.10	6.11	FBA08A12L1AZ	CR180-ND	.93	
	24	14 - 27.6	2.52	39.6	.148	32.0	300	Hydrowave	---	Flange	P9741-ND	8.25	7.10	6.11	FBA08A24H1A	CR180-ND	.93	
	24	14 - 27.6	2.52	39.6	.148	32.0	300	Hydrowave	Tac	Flange	P11097-ND	11.50	10.07	8.63	FBA08A24H1CX	CR180-ND	.93	
24	14 - 27.6	1.70	32.1	.098	28.0	300	Hydrowave	---	Flange	P9740-ND	8.25	7.10	6.11	FBA08A24M1A	CR180-ND	.93		
24	14 - 27.6	1.30	24.0	.061	21.0	300	Hydrowave	---	Flange	P9739-ND	8.25	7.10	6.11	FBA08A24L1A	CR180-ND	.93		
80x32	12	6.0 - 13.8	3.00	46.9	.22	37.0	300	Ball	---	Flange	P12845-ND	12.33	10.60	9.13	3112KL-04W-B40-E00	CR180-ND	.93	
	12	6.0 - 12.6	5.40	58.6	.32	44.0	300	Ball	Lock Rotor	Flange	P13412-ND	12.95	11.14	9.59	3112KL-04W-B69-E00	CR180-ND	.93	
	24	10.0 - 27.6	3.36	46.9	.22	37.0	300	Ball	---	Flange	P12846-ND	12.33	10.60	9.13	3112KL-05W-B40-E00	CR180-ND	.93	
	24	10.0 - 25.2	5.04	58.6	.32	44.0	300	Ball	Lock Rotor	Flange	P13413-ND	12.95	11.14	9.59	3112KL-05W-B69-E00	CR180-ND	.93	
92x25	12	6.0 - 13.8	0.876	26.5	.06	25.0	300	Ball	---	Flange	P13415-ND	12.75	10.97	9.44	3610KL-04W-B10-D00	CR220-ND	.77	
	12	6.0 - 13.8	2.64	47.6	.15	37.5	300	Ball	---	Flange	P12847-ND	12.75	10.97	9.44	3610KL-04W-B40-D00	CR220-ND	.77	
	12	6.0 - 13.8	2.64	47.6	.15	37.5	300	Ball	Lock Rotor	Rib	P13414-ND	13.38	11.51	9.90	3610KL-04W-B49-G00	CR220-ND	.77	
	24	10.0 - 25.0	3.84	54.7	.19	41.0	300	Ball	---	Rib	P12848-ND	12.75	10.97	9.44	3610KL-05W-B50-D00	CR220-ND	.77	
92x25.5	12	7 - 13.8	5.16	68.8	.197	43.0	295	Hydrowave	---	Flange	P9760-ND	8.25	7.10	6.11	FBA09A12U1A	CR220-ND	.77	
	12	7 - 13.8	5.16	68.8	.197	43.0	295	Hydrowave	Lock Rotor	Rib	P11044-ND	8.50	7.31	6.29	FBA09A12U1B0	CR220-ND	.77	
	12	7 - 13.8	5.16	68.8	.197	43.0	295	Hydrowave	Tac	Flange	P9975-ND	8.75	7.53	6.48	FBA09A12U1BX	CR220-ND	.77	
	12	7 - 13.8	2.70	56.8	.148	35.0	295	Hydrowave	---	Flange	P9744-ND	8.25	7.10	6.11	FBA09A12H1A	CR220-ND	.77	
	12	7 - 13.8	2.70	56.8	.148	35.0	295	Hydrowave	---	Flange	P11040-ND	8.25	7.10	6.11	FBA09A12H1AZ	CR220-ND	.77	
	12	7 - 13.8	2.70	56.8	.148	35.0	295	Hydrowave	Lock Rotor	Rib	P11041-ND	8.50	7.31	6.29	FBA09A12H1B0	CR220-ND	.77	
	12	7 - 13.8	2.70	56.8	.16	35.0	295	Hydrowave	Tac	Flange	P13481-ND	9.00	7.74	6.66	FBA09A12H1B0	CR220-ND	.77	
	12	7 - 13.8	2.70	56.8	.148	35.0	295	Hydrowave	Tac	Flange	P11042-ND	8.75	7.53	6.48	FBA09A12H1BX	CR220-ND	.77	
	12	7 - 13.8	1.80	48.0	.118	30.0	295	Hydrowave	---	Flange	P9743-ND	8.25	7.10	6.11	FBA09A12M1A	CR220-ND	.77	
	12	7 - 13.8	1.32	42.7	.09	27.0	295	Hydrowave	---	Flange	P9742-ND	8.25	7.10	6.11	FBA09A12L1A	CR220-ND	.77	
	12	7 - 13.8	1.32	42.7	.09	27.0	295	Hydrowave	Tac	Flange	P11043-ND	8.75	7.53	6.48	FBA09A12L1BX	CR220-ND	.77	
	24	14 - 27.6	7.2	68.8	.181	47.0	295	Hydrowave	Tac	Flange	P11096-ND	8.75	7.53	6.48	FBA09A24U1BX	CR220-ND	.77	
24	14 - 27.6	3.36	56.8	.148	35.0	295	Hydrowave	---	Flange	P9747-ND	8.25	7.10	6.11	FBA09A24H1A	CR220-ND	.77		
24	14 - 27.6	3.36	56.8	.148	35.0	295	Hydrowave	---	Rib	P11045-ND	8.25	7.10	6.11	FBA09A24H1AZ	CR220-ND	.77		
24	14 - 27.6	3.36	56.8	.148	35.0	295	Hydrowave	Lock Rotor	Flange	P11046-ND	8.50	7.31						



DC Axial Fans (Cont.)

Dimensions (mm)	Operating Voltage (VDC) Nom. Range	Input Power (W)	Max. Air Flow (CFM)	Max. Air Pressure (in H ₂ O)	Max. Noise (dB-A)	Lead Length (mm)	Bearing	Sensors	Mount Type	Digi-Key Part No.	Price Each			NMB Technologies Part No.	Finger Guards	Price Each		
											1	5	10					
119x38	12	6.0 - 13.8	6.60	108.0	.27	42.5	300	Ball	—	Flange	P12857-ND	19.40	16.69	14.36	4715KL-04W-B30-P00	CR210-ND	1.72	
	12	6.0 - 13.8	8.40	118.0	.33	46.5	300	Ball	—	Flange	P12858-ND	19.40	16.69	14.36	4715KL-04W-B40-P00	CR210-ND	1.72	
	12	8.0 - 13.2	17.50	162.0	.69	56.5	300	Ball	—	Flange	P12862-ND	53.48	45.99	39.58	4715SL-04W-B50-D00	CR210-ND	1.72	
	12	9.5 - 12.6	12.0	129.9	.44	50.0	300	Ball	Lock Rotor	Flange	P13424-ND	20.03	17.23	14.82	4715KL-04W-B59-P00	CR210-ND	1.72	
	12	8.0 - 12.9	23.0	181.0	.85	59.5	300	Ball	Lock Rotor	Flange	P13427-ND	54.10	46.53	40.04	4715SL-04W-B69-D00	CR210-ND	1.72	
	24	10.0 - 27.6	7.44	108.0	.27	42.5	300	Ball	—	Flange	P12859-ND	19.40	16.69	14.36	4715KL-05W-B30-P00	CR210-ND	1.72	
	24	10.0 - 27.6	8.40	118.0	.33	46.5	300	Ball	—	Flange	P12860-ND	19.40	16.69	14.36	4715KL-05W-B40-P00	CR210-ND	1.72	
	24	15.0 - 27.6	17.80	162.0	.69	56.5	300	Ball	—	Flange	P12863-ND	53.48	45.99	39.58	4715SL-05W-B50-D00	CR210-ND	1.72	
	24	18.0 - 25.0	12.0	130.0	.44	50.0	300	Ball	Lock Rotor	Flange	P13425-ND	20.03	17.23	14.82	4715KL-05W-B59-P00	CR210-ND	1.72	
	48	25.0 - 55.2	7.68	108.0	.27	42.5	300	Ball	—	Flange	P12861-ND	19.40	16.69	14.36	4715KL-07W-B30-P00	CR210-ND	1.72	
	48	25.0 - 55.2	7.68	108.0	.27	42.5	300	Ball	Lock Rotor	Flange	P13426-ND	20.03	17.23	14.82	4715KL-07W-B39-P00	CR210-ND	1.72	
	48	30.0 - 50.4	39.84	201.0	1.04	62.3	300	Ball	Lock Rotor	Flange	P13430-ND	66.13	56.87	48.94	4715SL-07W-B79-D00	CR210-ND	1.72	
120x38	12	7 - 13.8	7.80	114.7	.315	45.5	280	Hydrowave	—	Flange	P9761-ND	18.13	15.59	13.42	FBA12G12U1A	CR210-ND	1.72	
	12	7 - 13.8	5.52	103.8	.267	41.5	280	Hydrowave	—	Flange	P9750-ND	18.13	15.59	13.42	FBA12G12H1A	CR210-ND	1.72	
	12	7 - 13.8	5.52	103.8	.267	41.5	280	Hydrowave	—	Rib	P11048-ND	18.13	15.59	13.42	FBA12G12H1AZ	CR210-ND	1.72	
	12	7 - 13.8	5.52	103.8	.267	41.5	280	Hydrowave	Tac	Flange	P11050-ND	18.63	16.02	13.79	FBA12G12H1BZ	CR210-ND	1.72	
	12	7 - 13.8	4.08	86.5	.189	35.5	280	Hydrowave	—	Flange	P9749-ND	18.13	15.59	13.42	FBA12G12M1A	CR210-ND	1.72	
	12	7 - 13.8	2.16	68.9	.130	30.0	280	Hydrowave	—	Flange	P9748-ND	18.13	15.59	13.42	FBA12G12L1A	CR210-ND	1.72	
	24	14 - 27.6	5.52	103.8	.267	41.5	280	Hydrowave	—	Flange	P9753-ND	17.88	15.38	13.23	FBA12G24H1A	CR210-ND	1.72	
	24	14 - 27.6	5.52	103.8	.267	41.5	280	Hydrowave	Tac	Flange	P11080-ND	18.63	16.02	13.79	FBA12G24H1BZ	CR210-ND	1.72	
	24	14 - 27.6	3.84	86.5	.189	35.5	280	Hydrowave	—	Flange	P9752-ND	17.88	15.38	13.23	FBA12G24M1A	CR210-ND	1.72	
	24	14 - 27.6	2.64	68.9	.130	30.0	280	Hydrowave	—	Flange	P9751-ND	17.88	15.38	13.23	FBA12G24L1A	CR210-ND	1.72	
	150x172x25	12	6.0 - 18.0	24.7	250	.65	62.5	400	Ball	—	Rib	P12864-ND	76.63	65.90	56.71	5910PL-04W-B50-L00	CR191-ND	2.48
		24	12.0 - 30.0	24.0	250.0	.65	62.5	400	Ball	—	Rib	P12865-ND	76.63	65.90	56.71	5910PL-05W-B50-L00	CR191-ND	2.48
24		12.0 - 30.0	24.0	250.0	.65	62.5	400	Ball	Tac	Rib	P13431-ND	77.25	66.44	57.17	5910PL-05W-B59-L50	CR191-ND	2.48	
48		25.0 - 60.0	35.5	290.0	.89	65.4	400	Ball	Lock Rotor	Rib	P13432-ND	77.25	66.44	57.17	5910PL-07W-B79-L00	CR191-ND	2.48	
150x172x50	12	6.0 - 18.0	17.28	240	.62	58.0	300	Ball	—	Flange	P12866-ND	73.75	63.43	54.58	5920PL-04W-B40-D00	CR191-ND	2.48	
	12	6.0 - 18.0	17.28	240.0	.62	58.0	300	Ball	Tac	Flange	P13433-ND	74.38	63.97	55.04	5920PL-04W-B49-D50	CR191-ND	2.48	
	24	12.0 - 30.0	15.84	240	.62	58.0	300	Ball	—	Flange	P12867-ND	73.75	63.43	54.58	5920PL-05W-B40-D00	CR191-ND	2.48	
	24	12.0 - 30.0	15.84	240.0	.62	58.0	300	Ball	Tac	Flange	P13434-ND	74.38	63.97	55.04	5920PL-05W-B49-D50	CR191-ND	2.48	
	48	25.0 - 60.0	24.48	300.0	.90	63.2	300	Ball	Tac	Flange	P13435-ND	74.38	63.97	55.04	5920PL-07W-B79-D50	CR191-ND	2.48	
	12	6.0 - 18.0	17.28	240	.62	58.0	300	Ball	—	Flange	P12868-ND	73.75	63.43	54.58	6820PL-04W-B40-D00	CR196-ND	3.02	
172x50	24	12.0 - 30.0	15.84	240	.62	58.0	300	Ball	—	Flange	P12869-ND	73.75	63.43	54.58	6820PL-05W-B40-D00	CR196-ND	3.02	
	48	25.0 - 60.0	15.84	240	.62	58.0	300	Ball	—	Flange	P12870-ND	73.75	63.43	54.58	6820PL-07W-B40-D00	CR196-ND	3.02	

◆ RoHS Compliant

DC Fans UDQ Series

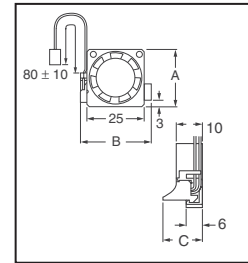
SPECIFICATIONS:

• Operating Temperature: 0°C - 70°C • Operating Humidity: <85 Rh% • Operating Voltage (VDC): Nom: 5, Range: 3.1 - 5.5 • Life Expectancy (Hrs @ 60°C): 30,000

Note: Not for New Design

Dimensions (mm)	Current @ 60°C (mA)	Speed @ 60°C (r/min)	Max Air Flow @ 60°C (m ³ /min.) (CFM)	Max Air Pressure @ 60°C (Pa) (in H ₂ O)	Noise @ 1M dBA	Digi-Key Part No.	Price Each					NMB Technologies Part No.		
							1	5	10	50	100			
25 25 10	40	7,800	0.040	1.41	24	0.10	17	P11093-ND	13.75	11.83	10.18	9.13	8.25	UDQFBBM01CP1
30 30 10	90	8,500	0.10	3.60	35	0.14	26	P11085-ND	20.00	17.20	14.80	13.28	12.00	UDQFHHB01-P1
30 30 10	50	6,000	0.065	2.29	17	0.07	18	P11094-ND	13.75	11.83	10.18	9.13	8.25	UDQFHHM01P1

† Ball Bearings

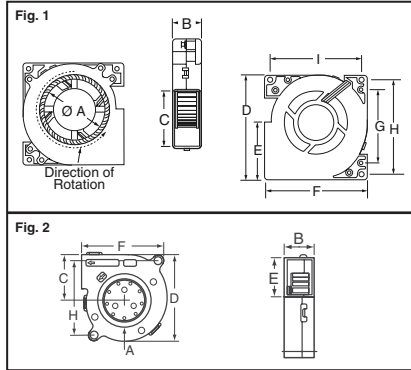


DC Blowers



NMB-MAT DC Blowers are most suitable for cooling in high back pressure applications. Since the fan impeller is housed inside a rugged plastic enclosure, the blower is not affected by high back pressure caused by objects in close proximity to the exhaust port.

Specifications: • Operating Temperature: -10°C - 60°C • Storage Temperature: -40°C - 75°C • Blowers with Hydro-Wave and Ball Bearing Technology



Model Type	Dimensions (mm)								
	A	B	C	D	E	F	G	H	I
FAL-6F	65.8	28.1	55.7	111.4	60.7	107.1	76	99	97
FAL-5F	50	28	37	76	41	76	47	68	68
FAL-3F	33.2	20	26.8	50	26.8	50	29.6	43	43
BM5115	32	15	27	51	20	51	—	43	—
BM5125	32	25	27	51	20	51	—	43	—
BM6015	—	15	32	60	30	60	—	23	—
BG0702	—	25	39.9	75.7	39.9	75.7	—	67.1	—
BG0703	—	30	39.9	75.7	39.9	75.7	—	67.1	—
BG0903	—	33	58	93.5	53	97	—	71	—
BG1203	—	32	55	120	61	120	—	105	90

Fig.	Operating Voltage (VDC) Nom. Range	Input Current (mA)	Power (W)	Air Flow CFM	Static Pressure in H ₂ O	Noise	Digi-Key Part No.	Price Each			NMB Technologies Part No.	
								1	5	10		
1	12	7-13.8	500	6.00	22.97	0.71	45	P9754-ND	30.00	25.80	22.20	FAL6F12LH
	12	7-13.8	280	3.36	18.73	0.44	40	P9755-ND	30.00	25.80	22.20	FAL6F12LL
	24	14-27.6	295	7.08	23.7	0.78	45	P9763-ND	30.00	25.80	22.20	FAL6F24LH
	24	14-27.6	155	3.72	18.7	0.45	40	P9764-ND	30.00	25.80	22.20	FAL6F24LL
1	12	7-13.8	210	2.52	10.60	0.41	35	P9756-ND	27.50	23.65	20.35	FAL5F12LH
	12	7-13.8	145	1.74	8.83	0.24	29	P9757-ND	27.50	23.65	20.35	FAL5F12LL
	24	14-27.6	150	3.50	9.18	0.28	40	P9765-ND	27.50	23.65	20.35	FAL5F24LH
	24	14-27.6	100	2.40	7.06	0.16	37.5	P9766-ND	27.50	23.65	20.35	FAL5F24LL
1	5	4.5-6	320	1.60	3.17	0.24	34	P9772-ND	21.25	18.28	15.73	FAL3F05LL
	5	4.5-6	570	2.85	4.24	0.39	40	P9773-ND	21.25	18.28	15.73	FAL3F05LH
	12	7-13.8	170	2.04	3.17	0.24	34	P9774-ND	21.25	18.28	15.73	FAL3F12LL
	12	7-13.8	270	3.24	4.24	0.39	40	P9775-ND	21.25	18.28	15.73	FAL3F12LH
2	12	10.2-13.8	120	1.44	3.5	0.48	35	P12901-ND	12.75	10.97	9.44	BM5115-04W-B40-L00
	12	10.2-13.8	180	2.16	3.5	.80	42	P13437-ND	13.38	11.51	9.90	BM5115-04W-B59-L00
	12	10.2-13.8	130	1.56	5.3	.34	34	P12902-ND	12.75	10.97	9.44	BM5125-04W-B40-L00
	12	10.2-13.8	240	2.88	6.7	.64	41	P12903-ND	12.75	10.97	9.44	BM5125-04W-B50-L00
2	12	10.2-13.8	240	2.88	6.7	.64	41	P13438-ND	13.38	11.51	9.90	BM5125-04W-B59-L00
	12	9-12.6	220	2.64	4.2	.68	42	P13439-ND	13.65	11.74	10.11	BM6015-04W-B59-L00
	12	6-13.8	190	2.28	8.47	.50	41	P13484-ND	14.50	12.47	10.73	BG0702-B04-400-0
	12	6-13.8	190	2.28	8.47	.50	41	P12904-ND	14.38	12.37	10.64	BG0702-B04-400-0T0
2	12	6-13.8										