

Fig	Description	Dimensions - Inch (mm)					Jaw Opening Inch (mm)	Current Rating	Material	Connection Type	Digi-Key Part No.	Price Each	Mueller Part No.
		A	B	C	D	E							
1	Mini Alligator Clip	1-3/32 (27.78)	7/16 (11.11)	5/16 (7.94)	—	3/32 (2.38)	3/16 (4.8)	5A	Steel	Solder/Crimp	314-1010-ND	.23	BU-30
	Mini Alligator Clip	1-3/32 (27.78)	7/16 (11.11)	5/16 (7.94)	—	3/32 (2.38)	3/16 (4.8)	5A	Copper	Solder/Crimp	314-1012-ND	.35	BU-30C
	Micro Alligator Clip	1-3/32 (27.78)	3/8 (9.52)	5/16 (7.94)	—	3/32 (2.38)	7/32 (5.6)	5A	Steel	Solder/Crimp	314-1017-ND	.42	BU-34
	Micro Alligator Clip	1-3/32 (27.78)	3/8 (9.52)	5/16 (7.94)	—	3/32 (2.38)	7/32 (5.6)	5A	Copper	Solder/Crimp	314-1018-ND	.56	BU-34C
2	Mini Alligator Clip with Barrel	1-1/4" (31.75)	7/16 (11.11)	5/16 (7.94)	1/4 (6.35)	1/8 (3.17)	3/16 (4.8)	5A	Steel	Solder/Crimp	314-1011-ND	.22	BU-30BL
	Alligator Clip with Barrel	1-31/32 (50.00)	5/8 (15.88)	7/16 (11.11)	3/4 (19.05)	.16 (4.06)	5/16 (7.9)	10A	Steel	Solder/Crimp	314-1033-ND	.28	BU-60
	Alligator Clip with Barrel and Screw	1-31/32 (50.00)	5/8 (15.88)	7/16 (11.11)	3/4 (19.05)	.16 (4.06)	5/16 (7.9)	10A	Copper	6/40Screw	314-1034-ND	.70	BU-60CS
	Alligator Clip with Barrel and Screw	1-31/32 (50.00)	5/8 (15.88)	7/16 (11.11)	3/4 (19.05)	.16 (4.06)	5/16 (7.9)	10A	Steel	6/40Screw	314-1035-ND	.38	BU-60S
	Alligator Clip with Barrel	1-31/32 (50.00)	5/8 (15.88)	7/16 (11.11)	3/4 (19.05)	.16 (4.06)	5/16 (7.9)	10A	Stainless Steel	Solder/Crimp	314-1036-ND	.78	BU-60X
3	Crocodile Clip	2-1/8 (53.97)	15/16 (23.81)	1/2 (12.7)	—	9/64 (3.57)	5/16 (7.9)	5A	Steel	Crimp/6-40 Screw	314-1039-ND	.52	BU-85
	Crocodile Clip	2-1/8 (53.97)	15/16 (23.81)	1/2 (12.7)	—	9/64 (3.57)	5/16 (7.9)	10A	Copper	Crimp/6-40 Screw	314-1040-ND	1.01	BU-85C
4	Heavy Duty Clip	2-27/32 (72.23)	7/16 (11.11)	1-1/8 (28.57)	—	1/4 (6.35)	3/4 (19)	25	Steel	Crimp/8-32 Screw	314-1001-ND	1.07	BU-24APN
	Automotive Clip	3 (76.2)	21/32 (16.67)	15/16 (23.81)	—	9/32 (7.15)	3/4 (19)	40	Steel	Crimp/8-32 Screw	314-1002-ND	.94	BU-25
	Automotive Clip	3 (76.2)	21/32 (16.67)	15/16 (23.81)	—	9/32 (7.15)	3/4 (19)	75	Copper	Crimp/8-32 Screw	314-1003-ND	2.34	BU-25C
	General Purpose Clip	2-7/16 (61.91)	17/32 (13.49)	11/16 (17.46)	—	3/16 (4.76)	5/8 (16)	20	Steel	Crimp/6-32 Screw	314-1006-ND	.67	BU-27
	General Purpose Clip	2-7/16 (61.91)	17/32 (13.49)	11/16 (17.46)	—	3/16 (4.76)	5/8 (16)	40	Copper	Crimp/6-32 Screw	314-1007-ND	1.11	BU-27C
	Pee-Wee Clip	1-17/32 (38.89)	1/4 (6.35)	15/32 (11.91)	—	9/64 (3.57)	5/16 (7.9)	5	Steel	Crimp/6-40 Screw	314-1021-ND	.46	BU-45
	Pee-Wee Clip	1-17/32 (38.89)	1/4 (6.35)	15/32 (11.91)	—	9/64 (3.57)	5/16 (7.9)	10	Copper	Crimp/6-40 Screw	314-1022-ND	.77	BU-45C
	Automotive Analyzer Clip	2 (50.80)	3/8 (9.52)	5/8 (15.88)	—	3/16 (4.76)	1/2 (12.7)	10	Steel	Crimp/6-32 Screw	314-1029-ND	.62	BU-48B
	Automotive Analyzer Clip	2 (50.80)	3/8 (9.52)	5/8 (15.88)	—	3/16 (4.76)	1/2 (12.7)	20	Copper	Crimp/6-32 Screw	314-1030-ND	.86	BU-48C
	5	Miniature Plier-Type Clip, Black	2-7/8 (98.42)	—	2 (50.80)	—	9/32 (7.15)	1-1/8 (28.6)	50	Steel	Crimp/Solder	314-1023-ND	.89
Miniature Plier-Type Clip, Red		2-7/8 (98.42)	—	2 (50.80)	—	9/32 (7.15)	1-1/8 (28.6)	50	Steel	Crimp/Solder	314-1024-ND	.89	BU-46A-2
Miniature Plier-Type Clip, Black		2-7/8 (98.42)	—	2 (50.80)	—	9/32 (7.15)	1-1/8 (28.6)	75	Copper	Crimp/Solder	314-1025-ND	1.58	BU-46C-0
Miniature Plier-Type Clip, Red		2-7/8 (98.42)	—	2 (50.80)	—	9/32 (7.15)	1-1/8 (28.6)	75	Copper	Crimp/Solder	314-1026-ND	1.58	BU-46C-2

◆ RoHS Compliant

Insulators

Description	Color	Use with Series	Digi-Key Part No.	Price Each	Mueller Part No.
Protective Vinyl Insulator	Black Red	BU-24APN/ 25/25C	314-1004-ND 314-1005-ND	.84	BU-26-0 BU-26-2
Flexible Vinyl Insulator	Black Red	BU-27/27C	314-1008-ND 314-1009-ND	.56	BU-29-0 BU-29-2
Tough, Flexible Vinyl Insulator	Black Red	BU-30BL	314-1013-ND 314-1014-ND	.19	BU-31-0 BU-31-2
Skin-tight, Flexible Vinyl Insulator	Black Red	BU-30/30C	314-1015-ND 314-1016-ND	.17	BU-32-0 BU-32-2

Description	Color	Use with Series	Digi-Key Part No.	Price Each	Mueller Part No.
Skin-tight, Flexible Vinyl Insulator	Black	BU-34/34C	314-1019-ND	.17	BU-36-0
	Red	BU-34/34C	314-1020-ND	.17	BU-36-2
Durable, Flexible Vinyl Insulator	Black	BU-45/45C	314-1027-ND	.21	BU-47-0
	Red	BU-45/45C	314-1028-ND	.21	BU-47-2
Durable, Flexible Vinyl Insulator	Black	BU-48B/48C	314-1031-ND	.50	BU-49-0
	Red	BU-48B/48C	314-1032-ND	.50	BU-49-2
Tough, Flexible Vinyl Insulator	Black	BU-60/60CS/ 60S/60X	314-1037-ND	.19	BU-62-0
	Red	BU-60/60CS/ 60S/60X	314-1038-ND	.19	BU-62-2
Tough, Flexible Vinyl Insulator	Black	BU-85/85C	314-1041-ND	.33	BU-87-0
	Red	BU-85/85C	314-1042-ND	.33	BU-87-2

◆ RoHS Compliant



Alligator Clips

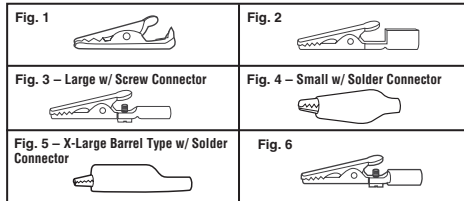
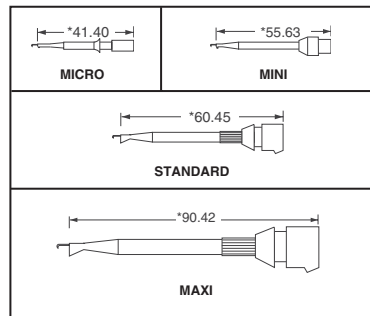


Fig.	Description	Digi-Key Part No.	Price Each			CUI Part No.
			1	10	100	
1	Without Cover, 27mm	CP-2400-ND	.36	.30	.23	103A
	Without Cover, 35mm	CP-2401-ND	.36	.30	.23	105A
	Without Cover, 44mm	CP-2402-ND	.36	.30	.23	110AR
	With Screw, 44mm	CP-2405-ND	.44	.36	.28	110ARS
2	Without Cover, 50mm	CP-2403-ND	.40	.33	.25	110AN
3	With Wire Terminals, 50mm	CP-2404-ND	.44	.36	.28	110AS
4	With Cover, Black, 27mm	CP-2406-ND	.44	.36	.28	103A-C-BK
	With Cover, Red, 27mm	CP-2407-ND	.44	.36	.28	103A-C-RD
5	With Cover, Black, 35mm	CP-2408-ND	.44	.36	.28	105A-C-BK
	With Cover, Red, 35mm	CP-2409-ND	.44	.36	.28	105A-C-RD
	With Cover, Black, 44mm	CP-2410-ND	.52	.43	.33	110AR-C-BK
	With Cover, Red, 44mm	CP-2411-ND	.52	.43	.33	110AR-C-RD
	With Screw & Cover, Black, 44mm	CP-2412-ND	.60	.49	.38	110ARS-C-BK
	With Screw & Cover, Red, 44mm	CP-2413-ND	.60	.49	.38	110ARS-C-RD
6	With Handle, Black, 50mm	CP-2414-ND	.52	.43	.33	110AS-P-BK
	With Handle, Red, 50mm	CP-2415-ND	.52	.43	.33	110AS-P-RD



Probe-It



Specifications: Contact: Phosphor bronze, Solder Type Termination. **Body:** Nylon. 3M new series of Probe-It™ plunger-actuated clips make test connections to individual component leads faster and easier. Simply press cap to extend the hook contact, place on component lead or wire under test, and release for hands-free troubleshooting and circuit testing. When removed from the lead the hook contact retracts into the plastic tip to minimize the possibility of shorting components. **Suggested Wire:** 26AWG (7-Strand, Tinned copper wire).

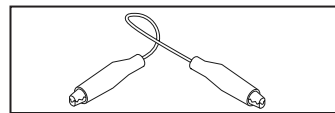
Description	Color	Digi-Key Part No.	Price / Pkg.	
Micro Probe-It*	Red	923830-RD-ND	9.04	
	Black	923830-BK-ND	9.04	
	Blue	923830-BU-ND	9.04	
	Green	923830-GN-ND	9.04	
	Yellow	923830-YL-ND	9.04	
Mini Probe-It*	White	923830-WT-ND	9.04	
	Red	923835-RD-ND	8.70	
	Black	923835-BK-ND	8.70	
	Green	923835-GN-ND	8.70	
	Yellow	923835-YL-ND	8.70	
Standard Probe-It*	White	923835-WT-ND	8.70	
	Red	923840-RD-ND	14.62	
Maxi Probe-It*	Black	923840-BK-ND	14.62	
	Red	923845-RD-ND	20.28	
Micro Probe-It Assort. †		1 of each	923848-ND	24.15
Mini Probe-It Assort. †		1 of each	923850-ND	25.97

* 2 per package † 6 per package



Jumper Wire Test Leads

Handy test leads with insulated alligator clips attached to each end. Each package contains black, red, white, green and yellow jumpers.



Description	Digi-Key Part No.	Price Each	GC Electronics Part No.
Standard Test Leads, 2 Each, 15" (38.10cm) long 27 AWG wires (10 Pkg.)	GC396-ND	6.44	12-1650
Heavy Duty Test Leads, 1 Each, 22" (55.88cm) long 21 AWG wires (5 Pkg.)	GC397-ND	6.91	12-1655

More Product Available Online: www.digikey.com

Toll-Free: 1-800-344-4539 • Phone 218-681-6674 • Fax: 218-681-3380

(T083) 2273