

Fig	Description	Dimensions - Inch (mm)					Jaw Opening Inch (mm)	Current Rating	Material	Connection Type	Digi-Key Part No.	Price Each	Mueller Part No.
		A	B	C	D	E							
1	Mini Alligator Clip	1-3/32 (27.78)	7/16 (11.11)	5/16 (7.94)	—	3/32 (2.38)	3/16 (4.8)	5A	Steel	Solder/Crimp	314-1010-ND	.23	BU-30
	Mini Alligator Clip	1-3/32 (27.78)	7/16 (11.11)	5/16 (7.94)	—	3/32 (2.38)	3/16 (4.8)	5A	Copper	Solder/Crimp	314-1012-ND	.35	BU-30C
	Micro Alligator Clip	1-3/32 (27.78)	3/8 (9.52)	5/16 (7.94)	—	3/32 (2.38)	7/32 (5.6)	5A	Steel	Solder/Crimp	314-1017-ND	.42	BU-34
	Micro Alligator Clip	1-3/32 (27.78)	3/8 (9.52)	5/16 (7.94)	—	3/32 (2.38)	7/32 (5.6)	5A	Copper	Solder/Crimp	314-1018-ND	.56	BU-34C
2	Mini Alligator Clip with Barrel	1-1/4" (31.75)	7/16 (11.11)	5/16 (7.94)	1/4 (6.35)	1/8 (3.17)	3/16 (4.8)	5A	Steel	Solder/Crimp	314-1011-ND	.22	BU-30BL
	Alligator Clip with Barrel	1-31/32 (50.00)	5/8 (15.88)	7/16 (11.11)	3/4 (19.05)	.16 (4.06)	5/16 (7.9)	10A	Steel	Solder/Crimp	314-1033-ND	.28	BU-60
	Alligator Clip with Barrel and Screw	1-31/32 (50.00)	5/8 (15.88)	7/16 (11.11)	3/4 (19.05)	.16 (4.06)	5/16 (7.9)	10A	Copper	6/40Screw	314-1034-ND	.70	BU-60CS
	Alligator Clip with Barrel and Screw	1-31/32 (50.00)	5/8 (15.88)	7/16 (11.11)	3/4 (19.05)	.16 (4.06)	5/16 (7.9)	10A	Steel	6/40Screw	314-1035-ND	.38	BU-60S
	Alligator Clip with Barrel	1-31/32 (50.00)	5/8 (15.88)	7/16 (11.11)	3/4 (19.05)	.16 (4.06)	5/16 (7.9)	10A	Stainless Steel	Solder/Crimp	314-1036-ND	.78	BU-60X
3	Crocodile Clip	2-1/8 (53.97)	15/16 (23.81)	1/2 (12.7)	—	9/64 (3.57)	5/16 (7.9)	5A	Steel	Crimp/6-40 Screw	314-1039-ND	.52	BU-85
	Crocodile Clip	2-1/8 (53.97)	15/16 (23.81)	1/2 (12.7)	—	9/64 (3.57)	5/16 (7.9)	10A	Copper	Crimp/6-40 Screw	314-1040-ND	1.01	BU-85C
4	Heavy Duty Clip	2-27/32 (72.23)	7/16 (11.11)	1-1/8 (28.57)	—	1/4 (6.35)	3/4 (19)	25	Steel	Crimp/8-32 Screw	314-1001-ND	1.07	BU-24APN
	Automotive Clip	3 (76.2)	21/32 (16.67)	15/16 (23.81)	—	9/32 (7.15)	3/4 (19)	40	Steel	Crimp/8-32 Screw	314-1002-ND	.94	BU-25
	Automotive Clip	3 (76.2)	21/32 (16.67)	15/16 (23.81)	—	9/32 (7.15)	3/4 (19)	75	Copper	Crimp/8-32 Screw	314-1003-ND	2.34	BU-25C
	General Purpose Clip	2-7/16 (61.91)	17/32 (13.49)	11/16 (17.46)	—	3/16 (4.76)	5/8 (16)	20	Steel	Crimp/6-32 Screw	314-1006-ND	.67	BU-27
	General Purpose Clip	2-7/16 (61.91)	17/32 (13.49)	11/16 (17.46)	—	3/16 (4.76)	5/8 (16)	40	Copper	Crimp/6-32 Screw	314-1007-ND	1.11	BU-27C
	Pee-Wee Clip	1-17/32 (38.89)	1/4 (6.35)	15/32 (11.91)	—	9/64 (3.57)	5/16 (7.9)	5	Steel	Crimp/6-40 Screw	314-1021-ND	.46	BU-45
	Pee-Wee Clip	1-17/32 (38.89)	1/4 (6.35)	15/32 (11.91)	—	9/64 (3.57)	5/16 (7.9)	10	Copper	Crimp/6-40 Screw	314-1022-ND	.77	BU-45C
	Automotive Analyzer Clip	2 (50.80)	3/8 (9.52)	5/8 (15.88)	—	3/16 (4.76)	1/2 (12.7)	10	Steel	Crimp/6-32 Screw	314-1029-ND	.62	BU-48B
	Automotive Analyzer Clip	2 (50.80)	3/8 (9.52)	5/8 (15.88)	—	3/16 (4.76)	1/2 (12.7)	20	Copper	Crimp/6-32 Screw	314-1030-ND	.86	BU-48C
	5	Miniature Plier-Type Clip, Black	2-7/8 (98.42)	—	2 (50.80)	—	9/32 (7.15)	1-1/8 (28.6)	50	Steel	Crimp/Solder	314-1023-ND	.89
Miniature Plier-Type Clip, Red		2-7/8 (98.42)	—	2 (50.80)	—	9/32 (7.15)	1-1/8 (28.6)	50	Steel	Crimp/Solder	314-1024-ND	.89	BU-46A-2
Miniature Plier-Type Clip, Black		2-7/8 (98.42)	—	2 (50.80)	—	9/32 (7.15)	1-1/8 (28.6)	75	Copper	Crimp/Solder	314-1025-ND	1.58	BU-46C-0
Miniature Plier-Type Clip, Red		2-7/8 (98.42)	—	2 (50.80)	—	9/32 (7.15)	1-1/8 (28.6)	75	Copper	Crimp/Solder	314-1026-ND	1.58	BU-46C-2

◆ RoHS Compliant

**Insulators**

Description	Color	Use with Series	Digi-Key Part No.	Price Each	Mueller Part No.
Protective Vinyl Insulator	Black Red	BU-24APN/ 25/25C	314-1004-ND 314-1005-ND	.84	BU-26-0 BU-26-2
Flexible Vinyl Insulator	Black Red	BU-27/27C	314-1008-ND 314-1009-ND	.56	BU-29-0 BU-29-2
Tough, Flexible Vinyl Insulator	Black Red	BU-30BL	314-1013-ND 314-1014-ND	.19	BU-31-0 BU-31-2
Skin-tight, Flexible Vinyl Insulator	Black Red	BU-30/30C	314-1015-ND 314-1016-ND	.17	BU-32-0 BU-32-2

Description	Color	Use with Series	Digi-Key Part No.	Price Each	Mueller Part No.
Skin-tight, Flexible Vinyl Insulator	Black Red	BU-34/34C	314-1019-ND 314-1020-ND	.17	BU-36-0 BU-36-2
Durable, Flexible Vinyl Insulator	Black Red	BU-45/45C	314-1027-ND 314-1028-ND	.21	BU-47-0 BU-47-2
Durable, Flexible Vinyl Insulator	Black Red	BU-48B/48C	314-1031-ND 314-1032-ND	.50	BU-49-0 BU-49-2
Tough, Flexible Vinyl Insulator	Black Red	BU-60/60CS/ 60S/60X	314-1037-ND 314-1038-ND	.19	BU-62-0 BU-62-2
Tough, Flexible Vinyl Insulator	Black Red	BU-85/85C	314-1041-ND 314-1042-ND	.33	BU-87-0 BU-87-2

◆ RoHS Compliant



**Alligator Clips**

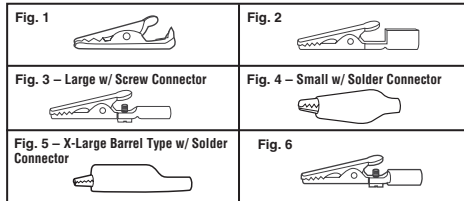
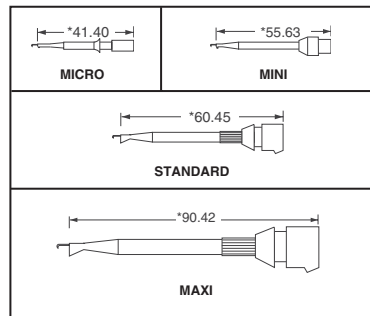


Fig	Description	Digi-Key Part No.	Price Each		CUI Part No.
			1	100	
1	Without Cover, 27mm	CP-2400-ND	.36	.30	103A
	Without Cover, 35mm	CP-2401-ND	.36	.30	105A
	Without Cover, 44mm	CP-2402-ND	.36	.30	110AR
	With Screw, 44mm	CP-2405-ND	.44	.36	110ARS
2	Without Cover, 50mm	CP-2403-ND	.40	.33	110AN
3	With Wire Terminals, 50mm	CP-2404-ND	.44	.36	110AS
4	With Cover, Black, 27mm	CP-2406-ND	.44	.36	103A-C-BK
	With Cover, Red, 27mm	CP-2407-ND	.44	.36	103A-C-RD
5	With Cover, Black, 35mm	CP-2408-ND	.44	.36	105A-C-BK
	With Cover, Red, 35mm	CP-2409-ND	.44	.36	105A-C-RD
	With Cover, Black, 44mm	CP-2410-ND	.52	.43	110AR-C-BK
	With Cover, Red, 44mm	CP-2411-ND	.52	.43	110AR-C-RD
6	With Handle, Black, 50mm	CP-2414-ND	.52	.43	110AS-P-BK
	With Handle, Red, 50mm	CP-2415-ND	.52	.43	110AS-P-RD



**Probe-It**



**Specifications:** Contact: Phosphor bronze, Solder Type Termination. **Body:** Nylon. 3M new series of Probe-It™ plunger-actuated clips make test connections to individual component leads faster and easier. Simply press cap to extend the hook contact, place on component lead or wire under test, and release for hands-free troubleshooting and circuit testing. When removed from the lead the hook contact retracts into the plastic tip to minimize the possibility of shorting components. **Suggested Wire:** 26AWG (7-Strand, Tinned copper wire).

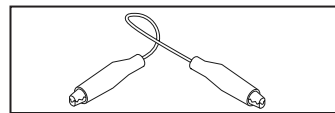
Description	Color	Digi-Key Part No.	Price / Pkg.
Micro Probe-It*	Red	923830-RD-ND	9.04
	Black	923830-BK-ND	9.04
	Blue	923830-BU-ND	9.04
	Green	923830-GN-ND	9.04
	Yellow	923830-YL-ND	9.04
Mini Probe-It*	Red	923835-RD-ND	8.70
	Black	923835-BK-ND	8.70
	Green	923835-GN-ND	8.70
	Yellow	923835-YL-ND	8.70
	White	923835-WT-ND	8.70
Standard Probe-It*	Red	923840-RD-ND	14.62
	Black	923840-BK-ND	14.62
Maxi Probe-It*	Red	923845-RD-ND	20.28
Black	923845-BK-ND	14.62	
Micro Probe-It Assort. †	1 of each	923848-ND	24.15
Mini Probe-It Assort. †	1 of each	923850-ND	25.97

\* 2 per package † 6 per package



**Jumper Wire Test Leads**

Handy test leads with insulated alligator clips attached to each end. Each package contains black, red, white, green and yellow jumpers.



Description	Digi-Key Part No.	Price Each	GC Electronics Part No.
Standard Test Leads, 2 Each, 15" (38.10cm) long 27 AWG wires (10 Pkg.)	GC396-ND	6.44	12-1650
Heavy Duty Test Leads, 1 Each, 22" (55.88cm) long 21 AWG wires (5 Pkg.)	GC397-ND	6.91	12-1655

More Product Available Online: [www.digikey.com](http://www.digikey.com)

Toll-Free: 1-800-344-4539 • Phone 218-681-6674 • Fax: 218-681-3380

(T083) 2273

# E-Z-HOOK Electronic Test Accessories

## Hooks

(Set/10: 1 each of: Brown, Black, Red, Orange, Yellow, Green, Blue, Violet, Gray, White)



Dimensions in Inches

<b>Fig. 1 – Double Hook, .025" Spacing</b> 	<b>Fig. 2 – Pico-Hook</b> 
<b>Fig. 3 – Micro-Hook</b> 	<b>Fig. 4 – Double Micro-Hook</b> 
<b>Fig. 5 – Mini-Hook</b> 	<b>Fig. 6 – Macro-Hook</b> 
<b>Fig. 7 – Macro-Hook, Insulation Piercing</b> 	<b>Fig. 8 – Insulation Piercing</b> 

Fig.	Description	Color	Digi-Key Part No.	Price Each	E-Z-Hook Part No.
				1 100 250	
1	.006" Dia. Wire Double Hook, .025" Spacing	Black	461-1000-ND	17.43 15.75 13.97	X2015 BLK
		Red	461-1001-ND	17.43 15.75 13.97	X2015 RED
2	Pico-Hook with .025" Square Pin Gold Plated	Black	461-1002-ND	3.47 3.14 2.78	P25 BLK
		Red	461-1003-ND	3.47 3.14 2.78	P25 RED
3	Micro-Hook Test Connector	Black	461-1004-ND	1.93 1.74 1.55	XM BLK
		Red	461-1005-ND	1.93 1.74 1.55	XM RED
	Micro-Hook with .025" Square Pin	Black	461-1007-ND	3.30 2.99 2.65	XM25 BLK
		Red	461-1008-ND	3.30 2.99 2.65	XM25 RED
4	E-Z-Micro Double Gripper	Black	461-1009-ND	2.66 2.40 2.13	XKM BLK
		Red	461-1010-ND	2.66 2.40 2.13	XKM RED
		Gray	461-1011-ND	2.66 2.40 2.13	XKM GRAY
		Set/10	461-1012-ND	26.39 23.85 21.15	XKM-S
5	Mini-Hook Test Connector	Black	461-1013-ND	1.74 1.58 1.40	X100W BLK
		Red	461-1014-ND	1.74 1.58 1.40	X100W RED
		Set/10	461-1015-ND	17.26 15.60 13.84	X100W-S
		Mini-Hook Test Connector, Extended	Black	461-1016-ND	3.65 3.30 2.93
Red	461-1017-ND		3.65 3.30 2.93	XL1 RED	
6	Macro-Hook Test Connector	Black	461-1020-ND	5.61 5.07 4.50	XH BLK
		Red	461-1021-ND	5.61 5.07 4.50	XH RED
7	Macro-Hook Piercing Connector	Black	461-1024-ND	6.81 6.15 5.46	XJL BLK
		Red	461-1025-ND	6.81 6.15 5.46	XJL RED
8	Insulation Piercing Test Connector	Black	461-1026-ND	7.45 6.74 5.98	XJL BLK
		Red	461-1027-ND	7.45 6.74 5.98	XJL RED
8	Insulation Piercing Test Connector	Black	461-1028-ND	11.70 10.58 9.38	XEL BLK
		Red	461-1029-ND	11.70 10.58 9.38	XEL RED

## Panel Mounts

Set/10: 1 each of: Brown, Black, Red, Orange, Yellow, Green, Blue, Violet, Gray, White



Dimensions in Inches

<b>Fig. 1 – Banana Jack</b> 	<b>Fig. 2 – Double Banana Jack</b> 
---------------------------------	--

Fig.	Description	Color	Digi-Key Part No.	Price Each	E-Z-Hook Part No.
				1 100 250	
1	Standard Banana Jack	Red/Black	461-1215-ND	3.25 2.94 2.61	9284 R/B
	Standard Banana Jack	Set/10	461-1216-ND	16.27 14.70 13.04	9284-S
2	Double Standard Banana Jack with Binding Post	Red/Black	461-1217-ND	6.89 6.23 5.52	9406

## Adapters

Dimensions in Inches

<b>Fig. 1 – Jack to Alligator</b> 	<b>Fig. 2 – Banana Jack to .080 Tip Pin</b> 
<b>Fig. 3 – BNC to Double Banana Plug</b> 	<b>Fig. 4 – Double Banana Jack to Plug</b> 
<b>Fig. 5 – Hook to Banana Jack</b> 	<b>Fig. 6 – Banana Jack to Flexible Pin or Socket</b> 

Fig.	Description	Color	Digi-Key Part No.	Price Each	E-Z-Hook Part No.
				1 100 250	
1	Standard Tip Jack to Standard Alligator Clip	Red/Black	461-1207-ND	4.15 3.75 3.33	8014 R/B
	Standard Banana Jack to Standard Alligator Clip	Red/Black	461-1208-ND	1.56 1.41 1.26	8016 R/B
2	Standard Banana Jack to Tip Pin	Red/Black	461-1206-ND	3.95 3.57 3.17	8018 R/B
	BNC Female to Standard Double Banana Plug	Black	461-1278-ND	7.24 6.54 5.80	9225
3	BNC Male to Standard Double Banana Plug	Black	461-1279-ND	8.02 7.25 6.43	9248
	Stacking Double Banana Plug	Black	461-1237-ND	4.37 3.95 3.50	DB750BLK
5	Mini-Hook w/ Standard Banana Jack Plunger	Red/Black	461-1218-ND	8.63 7.80 6.92	8036 R/B
	Mini-Hook XR w/ Standard Banana Jack Plunger	Red/Black	461-1219-ND	9.33 8.43 7.48	8037 R/B
5	Mini-Hook XL w/ Standard Banana Jack Plunger	Red/Black	461-1220-ND	13.15 11.88 10.54	8038 R/B

## E-Z-Flex™ Test

Banana socket end is brass tin plated. All other contact ends are gold plated.

Fig.	AWG	Contact Dia. Inches	Type Contact	Color	Digi-Key Part No.	Price Each	E-Z-Hook Part No.
						1 100 250	
6	22	.030	Socket	Red	461-1221-ND	5.43 4.91 4.35	9334 RED
			Pin	Red	461-1229-ND	4.08 3.69 3.28	9338 RED
			Socket	Black	461-1222-ND	5.43 4.91 4.35	9334 BLK
			Pin	Black	461-1230-ND	4.08 3.69 3.28	9338 BLK
			Socket	Red	461-1223-ND	4.08 3.69 3.28	9335 RED
			Pin	Red	461-1231-ND	4.52 4.08 3.62	9339 RED
6	20	.040	Socket	Black	461-1224-ND	4.08 3.69 3.28	9335 BLK
			Pin	Black	461-1232-ND	4.52 4.08 3.62	9339 BLK

RoHS Compliant

## Connectors



(Set/10: 1 each of: Brown, Black, Red, Orange, Yellow, Green, Blue, Violet, Gray, White)

Dimensions in Inches

<b>Fig. 1 – Shrouded Banana Plug</b> 	<b>Fig. 2 – Banana Plug</b> 
--	---------------------------------

Fig.	Description	Color	Digi-Key Part No.	Price Each	E-Z-Hook Part No.
				1 100 250	
1	Shrouded Right Angle Std. Banana Plug	Red/Black	461-1204-ND	8.98 8.12 7.20	9302 R/B
2	Standard Banana Plug	Red/Black	461-1214-ND	2.86 2.58 2.29	9202 R/B
		Set/10	461-1213-ND	14.11 12.75 11.31	9202-S

## Probes

Features: • Lead Wire: 18AWG, (65 x 36) T.C. Flexible PVC insulation.

Dimensions in Inches

Description	Length (Inches)	Color	Digi-Key Part No.	Price Each	E-Z-Hook Part No.
				1 100 250	
Pin Tip Probe	—	Red/Black	461-1209-ND	6.21 5.61 4.98	30 R/B
Needle Tip Probe	—	Red/Black	461-1211-ND	6.21 5.61 4.98	34 R/B
Needle Tip with Standard Banana Jack	—	Red/Black	461-1212-ND	7.60 6.87 6.10	35 R/B
Test Probe to Standard Banana Plug	36	Red/Black	461-1183-ND	12.75 11.52 10.22	658-36 R/B
Test Probe to Shrouded Std. Banana Plug	36	Red/Black	461-1184-ND	15.17 13.71 12.16	666-36 R/B
Test Probe to Shrouded Std. Banana Plug	36	Red/Black	461-1186-ND	15.94 14.40 12.77	63334-36 R/B

(Continued)

More Product Available Online: [www.digkey.com](http://www.digkey.com)

Toll-Free: 1-800-344-4539 • Phone 218-681-6674 • Fax: 218-681-3380

# EZ-HOOK Electronic Test Accessories (Cont.)

## Test Leads Tinned copper with flexible PVC insulation.

(Set/10: 1 each of: Brown, Black, Red, Orange, Yellow, Green, Blue, Violet, Gray, White) (Set/2: 1 each of: Black and Red)  
(Set/5R: 1 each of: Red, Blue, White, Purple, Gray) (Set/5B: 1 each of: Black, Brown, Green, Yellow, Orange)

Dimensions in Inches

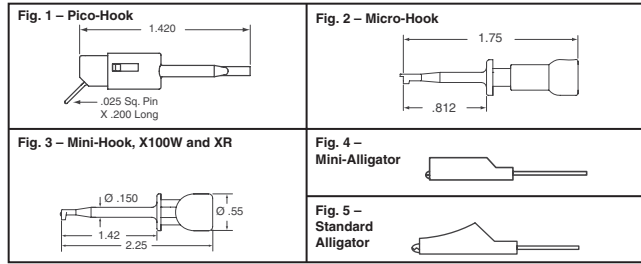


Fig.	Description	AWG	Color	Length (Inches)	Digi-Key Part No.	Price Each	E-Z-Hook Part No.	
<b>Hook Test Leads — RoHS Compliant</b>								
1	E-Z Pico-Hook to Pico-Hook	28 (19 x 40)	Black	12	461-1042-ND	5.40 4.88 4.33	P704-12 BLK	
			Red	12	461-1043-ND	5.40 4.88 4.33	P704-12 RED	
	Pico-Hook to .025" Square Socket	28 (19 x 40)	Set/2	12	461-1165-ND	10.96 9.90 8.78	P703-12 R/B	
			Set/10	12	461-1166-ND	51.96 46.95 41.63	P703-12-S	
2	Pico-Hook to Lead Only	28 (19 x 40)	Set/2	12	461-1167-ND	6.81 6.15 5.46	P713-12 R/B	
			Set/10	12	461-1168-ND	32.37 29.25 25.94	P713-12-S	
	Micro-Hook to Micro-Hook	22 (65 x 40)	Black	12	461-1036-ND	4.57 4.13 3.66	204XM-12 BLK	
			Red	12	461-1037-ND	4.57 4.13 3.66	204XM-12 RED	
3	Mini-Hook to Mini-Hook	22 (65 x 40)	Set/10	12	461-1038-ND	44.99 40.65 36.05	204XM-12-S	
			Black	24	461-1039-ND	4.57 4.13 3.66	204XM-24 BLK	
			Red	24	461-1040-ND	4.57 4.13 3.66	204XM-24 RED	
			Set/10	24	461-1041-ND	44.99 40.65 36.05	204XM-24-S	
			Black	18	461-1044-ND	4.13 3.74 3.32	BXM-18 BLK	
			Red	18	461-1045-ND	4.13 3.74 3.32	BXM-18 RED	
	Micro-Hook to Std. Banana Plug	22 (65 x 40)	Set/2	18	461-1046-ND	8.27 7.47 6.63	BXM-18 R/B	
			Set/10	18	461-1149-ND	41.17 37.20 32.99	BXM-18-S	
			Black	36	461-1047-ND	4.13 3.74 3.32	BXM-BLK	
			Red	36	461-1048-ND	4.13 3.74 3.32	BXM-RED	
			Set/2	36	461-1049-ND	8.27 7.47 6.63	BXM-R/B	
			Set/10	36	461-1150-ND	41.17 37.20 32.99	BXM-S	
Mini-Hook to Std. Banana Plug	22 (65 x 40)	Black	12	461-1030-ND	4.32 3.90 3.46	204-12W BLK		
		Red	12	461-1031-ND	4.32 3.90 3.46	204-12W RED		
		Set/10	12	461-1032-ND	42.50 38.40 34.05	204-12W-S		
		Black	24	461-1033-ND	4.32 3.90 3.46	204-24W BLK		
		Red	24	461-1034-ND	4.32 3.90 3.46	204-24W RED		
		Set/10	24	461-1035-ND	42.50 38.40 34.05	204-24W-S		
	Mini-Hook to Stacking Banana Plug	18 (65 x 36)	Black	36	461-1147-ND	4.32 3.90 3.46	204-36W BLK	
			Red	36	461-1146-ND	4.32 3.90 3.46	204-36W RED	
			Set/10	36	461-1148-ND	42.83 38.70 34.32	204-36W-S	
			Black	18	461-1050-ND	4.15 3.75 3.33	BX1W-18 BLK	
			Red	18	461-1051-ND	4.15 3.75 3.33	BX1W-18 RED	
			Set/2	18	461-1052-ND	8.30 7.50 6.65	BX1W-18 R/B	
Mini-Hook to Stacking Banana Plug	18 (65 x 36)	Set/10	18	461-1151-ND	44.82 40.50 35.91	BX1W-18-S		
		Black	36	461-1053-ND	4.15 3.75 3.33	BX1W-BLK		
		Red	36	461-1054-ND	4.15 3.75 3.33	BX1W-RED		
		Set/2	36	461-1055-ND	8.30 7.50 6.65	BX1W-R/B		
		Set/10	36	461-1152-ND	44.82 40.50 35.91	BX1W-S		
		Black	18	461-1056-ND	5.59 5.06 4.49	601W-18 BLK		
	XR Heavy Duty Mini-Hook to Stacking Banana Plug	18 (65 x 36)	Red	18	461-1057-ND	5.59 5.06 4.49	601W-18 RED	
			Set/2	18	461-1058-ND	11.19 10.11 8.97	601W-18 R/B	
			Set/10	18	461-1153-ND	55.61 50.25 44.56	601W-18-S	
			Black	36	461-1059-ND	5.59 5.06 4.49	601W-36 BLK	
			Red	36	461-1060-ND	5.59 5.06 4.49	601W-36 RED	
			Set/2	36	461-1061-ND	11.19 10.11 8.97	601W-36 R/B	
Alligator Clip Test Leads	18 (65 x 36)	Set/10	36	461-1154-ND	55.61 50.25 44.56	601W-S		
		Black	18	461-1156-ND	5.74 5.19 4.61	601XR-18 BLK		
		Red	18	461-1155-ND	5.74 5.19 4.61	601XR-18 RED		
		Set/5B	18	461-1157-ND	28.72 25.95 23.01	601XR-18 5B		
		Set/5R	18	461-1158-ND	28.72 25.95 23.01	601XR-18 5R		
		Set/10	18	461-1159-ND	56.77 51.30 45.49	601XR-18-S		
Alligator Clip Test Leads	4 (65 x 40)	Set/2	12	461-1169-ND	6.87 6.21 5.51	284M-12 R/B		
		Set/10	12	461-1170-ND	34.36 31.05 27.54	284M-12-S		
		Set/2	36	461-1171-ND	6.87 6.21 5.51	284M-36 R/B		
		Set/10	36	461-1172-ND	34.36 31.05 27.54	284M-36-S		
		Std. Alligator Clip to Stacking Banana Clip	18 (65 x 36)	Set/2	36	461-1173-ND	10.19 9.21 8.17	681 R/B
				Set/10	36	461-1174-ND	49.80 45.00 39.90	681-S
	Std. Alligator Clip to Std. Alligator Jumper	5 (65 x 36)	Set/2	12	461-1175-ND	8.60 7.77 6.89	684-12 R/B	
			Set/10	12	461-1176-ND	41.83 37.80 33.52	684-12-S	
			Set/2	24	461-1177-ND	8.60 7.77 6.89	684-24 R/B	
			Set/10	24	461-1178-ND	41.83 37.80 33.52	684-24-S	
			Set/2	36	461-1179-ND	8.60 7.77 6.89	684-36 R/B	
			Set/10	36	461-1180-ND	41.83 37.80 33.52	684-36-S	
Stacking Banana Plug with Heavy Wire to Stacking Banana Plug		18 (65 x 36)	Set/2	60	461-1181-ND	10.33 9.33 8.28	684-60 R/B	
			Set/10	60	461-1182-ND	51.46 46.50 41.23	684-60-S	

## Patch Cords Tinned copper with flexible PVC insulation.

(Set/10: 1 each of: Brown, Black, Red, Orange, Yellow, Green, Blue, Violet, Gray, White)

Description	AWG	Color	Length (Inches)	Digi-Key Part No.	Price Each	E-Z-Hook Part No.
Standard Banana Plug to Standard Banana Plug	22 (65 x 40)	Black	18	461-1068-ND	4.57 4.13 3.66	9105-18 BLK
		Red	18	461-1069-ND	4.57 4.13 3.66	9105-18 RED
		Black	36	461-1070-ND	4.57 4.13 3.66	9105-36 BLK
		Red	36	461-1071-ND	4.57 4.13 3.66	9105-36 RED
Stacking Banana Plug with Heavy Wire to Stacking Banana Plug	18 (65 x 36)	Black	8	461-1123-ND	6.44 5.82 5.17	9111-8 BLK
		Red	8	461-1122-ND	6.44 5.82 5.17	9111-8 RED
		Set/10	8	461-1124-ND	63.08 57.00 50.54	9111-8-S
		Black	12	461-1126-ND	6.44 5.82 5.17	9111-12 BLK
		Red	12	461-1125-ND	6.44 5.82 5.17	9111-12 RED
		Set/10	12	461-1127-ND	63.08 57.00 50.54	9111-12-S
		Black	18	461-1072-ND	6.52 5.90 5.23	9111-18 BLK
		Red	18	461-1073-ND	6.52 5.90 5.23	9111-18 RED
		Black	24	461-1129-ND	6.52 5.90 5.23	9111-24 BLK
		Red	24	461-1128-ND	6.52 5.90 5.23	9111-24 RED
		Set/10	24	461-1130-ND	64.57 58.35 51.74	9111-24-S
		.030" Diameter Socket to .030" Diameter Socket	22 (65 x 40)	Black	36	461-1074-ND
Red	36			461-1075-ND	6.61 5.97 5.30	9111-36 RED
Set/10	36			461-1131-ND	64.57 58.35 51.74	9111-36-S
Black	48			461-1133-ND	6.84 6.18 5.48	9111-48 BLK
Red	48			461-1132-ND	6.84 6.18 5.48	9111-48 RED
Set/10	48			461-1134-ND	68.06 61.50 54.53	9111-48-S
Black	60			461-1136-ND	6.84 6.18 5.48	9111-60 BLK
Red	60			461-1135-ND	6.84 6.18 5.48	9111-60 RED
Set/10	60			461-1137-ND	68.06 61.50 54.53	9111-60-S
Black	72			461-1139-ND	7.04 6.36 5.64	9111-72 BLK
Red	72			461-1138-ND	7.04 6.36 5.64	9111-72 RED
Set/10	72			461-1140-ND	69.72 63.00 55.86	9111-72-S
.025" to .025" Square Socket Gold Plated	22 (65 x 40)	Black	12	461-1076-ND	4.20 3.80 3.37	9860-12 BLK
		Red	12	461-1077-ND	4.20 3.80 3.37	9860-12 RED
		Black	24	461-1078-ND	4.20 3.80 3.37	9860-24 BLK
		Red	24	461-1079-ND	4.20 3.80 3.37	9860-24 RED
.025" to .025" Square Socket Gold Plated	22 (65 x 40)	Black	12	461-1094-ND	3.54 3.20 2.84	9110-12 BLK
		Red	12	461-1095-ND	3.54 3.20 2.84	9110-12 RED
		Set/10	12	461-1141-ND	34.53 31.20 27.67	9110-12-S
		Black	24	461-1096-ND	3.54 3.20 2.84	9110-24 BLK
		Red	24	461-1097-ND	3.54 3.20 2.84	9110-24 RED
		Set/10	24	461-1142-ND	34.53 31.20 27.67	9110-24-S

◆ RoHS Compliant

## Flexible Test Lead Wires

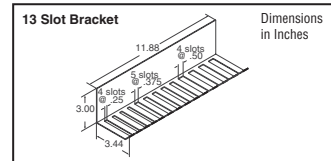
Features:  
• PVC Insulated • 100 Feet Length • Temperature: 105°C (200 Series: 60°C UL) • Tinned copper



Description	AWG	Insulation Thickness (Inches)	VV DC	Nom. O.D. (Inches)	Digi-Key Part No.	Price Each	E-Z-Hook Part No.
200 Series	22 (65 x 40)	.018	1000 (300UL)	.070	461-1114-ND	32.90 29.73 26.37	9504-100FT BLK
					461-1115-ND	32.90 29.73 26.37	9504-100FT RED
500 Series	20 (105 x 40)	.020	1000	.080	461-1116-ND	35.52 32.10 28.47	9505-100FT BLK
					461-1117-ND	35.52 32.10 28.47	9505-100FT RED
600 Series	18 (65 x 36)	.045	5000	.144	461-1118-ND	42.75 38.63 34.25	9506-100FT BLK
					461-1119-ND	42.75 38.63 34.25	9506-100FT RED
700 Series	28 (19 x 40)	.015	600	.047	461-1112-ND	22.91 20.70 18.36	9501-100FT BLK
					461-1113-ND	22.91 20.70 18.36	9501-100FT RED

K

## Test Cable Wall Brackets



Features:  
• Material: Steel  
• Finish: Blue Powder Coat

Description	Digi-Key Part No.	Price Each	E-Z-Hook Part No.
6 Slot Bracket	461-1120-ND	8.42 7.61 6.75	WB6
13 Slot Bracket	461-1121-ND	11.62 10.50 9.31	WB14

(Continued)

More Product Available Online: [www.digkey.com](http://www.digkey.com)

Toll-Free: 1-800-344-4539 • Phone 218-681-6674 • Fax: 218-681-3380

(T083) 2275