

Fig	Description	Dimensions - Inch (mm)					Jaw Opening Inch (mm)	Current Rating	Material	Connection Type	Digi-Key Part No.	Price Each	Mueller Part No.
		A	B	C	D	E							
1	Mini Alligator Clip	1-3/32 (27.78)	7/16 (11.11)	5/16 (7.94)	—	3/32 (2.38)	3/16 (4.8)	5A	Steel	Solder/Crimp	314-1010-ND	.23	BU-30
	Mini Alligator Clip	1-3/32 (27.78)	7/16 (11.11)	5/16 (7.94)	—	3/32 (2.38)	3/16 (4.8)	5A	Copper	Solder/Crimp	314-1012-ND	.35	BU-30C
	Micro Alligator Clip	1-3/32 (27.78)	3/8 (9.52)	5/16 (7.94)	—	3/32 (2.38)	7/32 (5.6)	5A	Steel	Solder/Crimp	314-1017-ND	.42	BU-34
	Micro Alligator Clip	1-3/32 (27.78)	3/8 (9.52)	5/16 (7.94)	—	3/32 (2.38)	7/32 (5.6)	5A	Copper	Solder/Crimp	314-1018-ND	.56	BU-34C
2	Mini Alligator Clip with Barrel	1-1/4" (31.75)	7/16 (11.11)	5/16 (7.94)	1/4 (6.35)	1/8 (3.17)	3/16 (4.8)	5A	Steel	Solder/Crimp	314-1011-ND	.22	BU-30BL
	Alligator Clip with Barrel	1-31/32 (50.00)	5/8 (15.88)	7/16 (11.11)	3/4 (19.05)	.16 (4.06)	5/16 (7.9)	10A	Steel	Solder/Crimp	314-1033-ND	.28	BU-60
	Alligator Clip with Barrel and Screw	1-31/32 (50.00)	5/8 (15.88)	7/16 (11.11)	3/4 (19.05)	.16 (4.06)	5/16 (7.9)	10A	Copper	6/40Screw	314-1034-ND	.70	BU-60CS
	Alligator Clip with Barrel and Screw	1-31/32 (50.00)	5/8 (15.88)	7/16 (11.11)	3/4 (19.05)	.16 (4.06)	5/16 (7.9)	10A	Steel	6/40Screw	314-1035-ND	.38	BU-60S
	Alligator Clip with Barrel	1-31/32 (50.00)	5/8 (15.88)	7/16 (11.11)	3/4 (19.05)	.16 (4.06)	5/16 (7.9)	10A	Stainless Steel	Solder/Crimp	314-1036-ND	.78	BU-60X
3	Crocodile Clip	2-1/8 (53.97)	15/16 (23.81)	1/2 (12.7)	—	9/64 (3.57)	5/16 (7.9)	5A	Steel	Crimp/6-40 Screw	314-1039-ND	.52	BU-85
	Crocodile Clip	2-1/8 (53.97)	15/16 (23.81)	1/2 (12.7)	—	9/64 (3.57)	5/16 (7.9)	10A	Copper	Crimp/6-40 Screw	314-1040-ND	1.01	BU-85C
4	Heavy Duty Clip	2-27/32 (72.23)	7/16 (11.11)	1-1/8 (28.57)	—	1/4 (6.35)	3/4 (19)	25	Steel	Crimp/8-32 Screw	314-1001-ND	1.07	BU-24APN
	Automotive Clip	3 (76.2)	21/32 (16.67)	15/16 (23.81)	—	9/32 (7.15)	3/4 (19)	40	Steel	Crimp/8-32 Screw	314-1002-ND	.94	BU-25
	Automotive Clip	3 (76.2)	21/32 (16.67)	15/16 (23.81)	—	9/32 (7.15)	3/4 (19)	75	Copper	Crimp/8-32 Screw	314-1003-ND	2.34	BU-25C
	General Purpose Clip	2-7/16 (61.91)	17/32 (13.49)	11/16 (17.46)	—	3/16 (4.76)	5/8 (16)	20	Steel	Crimp/6-32 Screw	314-1006-ND	.67	BU-27
	General Purpose Clip	2-7/16 (61.91)	17/32 (13.49)	11/16 (17.46)	—	3/16 (4.76)	5/8 (16)	40	Copper	Crimp/6-32 Screw	314-1007-ND	1.11	BU-27C
	Pee-Wee Clip	1-17/32 (38.89)	1/4 (6.35)	15/32 (11.91)	—	9/64 (3.57)	5/16 (7.9)	5	Steel	Crimp/6-40 Screw	314-1021-ND	.46	BU-45
	Pee-Wee Clip	1-17/32 (38.89)	1/4 (6.35)	15/32 (11.91)	—	9/64 (3.57)	5/16 (7.9)	10	Copper	Crimp/6-40 Screw	314-1022-ND	.77	BU-45C
	Automotive Analyzer Clip	2 (50.80)	3/8 (9.52)	5/8 (15.88)	—	3/16 (4.76)	1/2 (12.7)	10	Steel	Crimp/6-32 Screw	314-1029-ND	.62	BU-48B
	Automotive Analyzer Clip	2 (50.80)	3/8 (9.52)	5/8 (15.88)	—	3/16 (4.76)	1/2 (12.7)	20	Copper	Crimp/6-32 Screw	314-1030-ND	.86	BU-48C
	5	Miniature Plier-Type Clip, Black	2-7/8 (98.42)	—	2 (50.80)	—	9/32 (7.15)	1-1/8 (28.6)	50	Steel	Crimp/Solder	314-1023-ND	.89
Miniature Plier-Type Clip, Red		2-7/8 (98.42)	—	2 (50.80)	—	9/32 (7.15)	1-1/8 (28.6)	50	Steel	Crimp/Solder	314-1024-ND	.89	BU-46A-2
Miniature Plier-Type Clip, Black		2-7/8 (98.42)	—	2 (50.80)	—	9/32 (7.15)	1-1/8 (28.6)	75	Copper	Crimp/Solder	314-1025-ND	1.58	BU-46C-0
Miniature Plier-Type Clip, Red		2-7/8 (98.42)	—	2 (50.80)	—	9/32 (7.15)	1-1/8 (28.6)	75	Copper	Crimp/Solder	314-1026-ND	1.58	BU-46C-2

◆ RoHS Compliant

Insulators

Description	Color	Use with Series	Digi-Key Part No.	Price Each	Mueller Part No.
Protective Vinyl Insulator	Black Red	BU-24APN/ 25/25C	314-1004-ND 314-1005-ND	.84	BU-26-0 BU-26-2
Flexible Vinyl Insulator	Black Red	BU-27/27C	314-1008-ND 314-1009-ND	.56	BU-29-0 BU-29-2
Tough, Flexible Vinyl Insulator	Black Red	BU-30BL	314-1013-ND 314-1014-ND	.19	BU-31-0 BU-31-2
Skin-tight, Flexible Vinyl Insulator	Black Red	BU-30/30C	314-1015-ND 314-1016-ND	.17	BU-32-0 BU-32-2

Description	Color	Use with Series	Digi-Key Part No.	Price Each	Mueller Part No.
Skin-tight, Flexible Vinyl Insulator	Black Red	BU-34/34C	314-1019-ND 314-1020-ND	.17	BU-36-0 BU-36-2
Durable, Flexible Vinyl Insulator	Black Red	BU-45/45C	314-1027-ND 314-1028-ND	.21	BU-47-0 BU-47-2
Durable, Flexible Vinyl Insulator	Black Red	BU-48B/48C	314-1031-ND 314-1032-ND	.50	BU-49-0 BU-49-2
Tough, Flexible Vinyl Insulator	Black Red	BU-60/60CS/ 60S/60X	314-1037-ND 314-1038-ND	.19	BU-62-0 BU-62-2
Tough, Flexible Vinyl Insulator	Black Red	BU-85/85C	314-1041-ND 314-1042-ND	.33	BU-87-0 BU-87-2

◆ RoHS Compliant



Alligator Clips

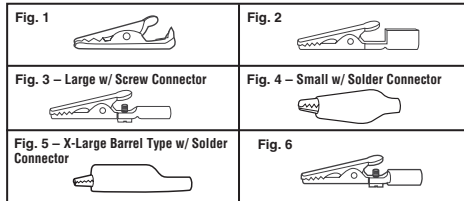
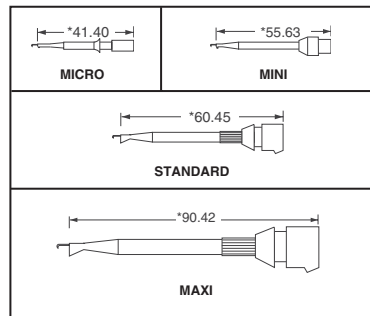


Fig	Description	Digi-Key Part No.	Price Each		CUI Part No.
			1	100	
1	Without Cover, 27mm	CP-2400-ND	.36	.30	103A
	Without Cover, 35mm	CP-2401-ND	.36	.30	105A
	Without Cover, 44mm	CP-2402-ND	.36	.30	110AR
	With Screw, 44mm	CP-2405-ND	.44	.36	110ARS
2	Without Cover, 50mm	CP-2403-ND	.40	.33	110AN
3	With Wire Terminals, 50mm	CP-2404-ND	.44	.36	110AS
4	With Cover, Black, 27mm	CP-2406-ND	.44	.36	103A-C-BK
	With Cover, Red, 27mm	CP-2407-ND	.44	.36	103A-C-RD
5	With Cover, Black, 35mm	CP-2408-ND	.44	.36	105A-C-BK
	With Cover, Red, 35mm	CP-2409-ND	.44	.36	105A-C-RD
	With Cover, Black, 44mm	CP-2410-ND	.52	.43	110AR-C-BK
	With Cover, Red, 44mm	CP-2411-ND	.52	.43	110AR-C-RD
6	With Handle, Black, 50mm	CP-2414-ND	.52	.43	110AS-P-BK
	With Handle, Red, 50mm	CP-2415-ND	.52	.43	110AS-P-RD



Probe-It



Specifications: Contact: Phosphor bronze, Solder Type Termination. Body: Nylon. 3M new series of Probe-It™ plunger-actuated clips make test connections to individual component leads faster and easier. Simply press cap to extend the hook contact, place on component lead or wire under test, and release for hands-free troubleshooting and circuit testing. When removed from the lead the hook contact retracts into the plastic tip to minimize the possibility of shorting components. **Suggested Wire:** 26AWG (7-Strand, Tinned copper wire).

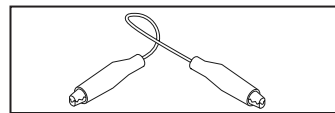
Description	Color	Digi-Key Part No.	Price / Pkg.
Micro Probe-It*	Red	923830-RD-ND	9.04
	Black	923830-BK-ND	9.04
	Blue	923830-BU-ND	9.04
	Green	923830-GN-ND	9.04
	Yellow	923830-YL-ND	9.04
Mini Probe-It*	Red	923835-RD-ND	8.70
	Black	923835-BK-ND	8.70
	Green	923835-GN-ND	8.70
	Yellow	923835-YL-ND	8.70
	White	923835-WT-ND	8.70
Standard Probe-It*	Red	923840-RD-ND	14.62
	Black	923840-BK-ND	14.62
Maxi Probe-It*	Red	923845-RD-ND	20.28
Black	923845-BK-ND	14.62	
Micro Probe-It Assort. †	1 of each	923848-ND	24.15
Mini Probe-It Assort. †	1 of each	923850-ND	25.97

* 2 per package † 6 per package



Jumper Wire Test Leads

Handy test leads with insulated alligator clips attached to each end. Each package contains black, red, white, green and yellow jumpers.



Description	Digi-Key Part No.	Price Each	GC Electronics Part No.
Standard Test Leads, 2 Each, 15" (38.10cm) long 27 AWG wires (10 Pkg.)	GC396-ND	6.44	12-1650
Heavy Duty Test Leads, 1 Each, 22" (55.88cm) long 21 AWG wires (5 Pkg.)	GC397-ND	6.91	12-1655

More Product Available Online: www.digikey.com

Toll-Free: 1-800-344-4539 • Phone 218-681-6674 • Fax: 218-681-3380

(T083) 2273

K

E-Z-HOOK Electronic Test Accessories

Hooks

(Set/10: 1 each of: Brown, Black, Red, Orange, Yellow, Green, Blue, Violet, Gray, White)



Dimensions in Inches

Fig. 1 – Double Hook, .025" Spacing 	Fig. 2 – Pico-Hook
Fig. 3 – Micro-Hook 	Fig. 4 – Double Micro-Hook
Fig. 5 – Mini-Hook 	Fig. 6 – Macro-Hook
Fig. 7 – Macro-Hook, Insulation Piercing 	Fig. 8 – Insulation Piercing

Fig.	Description	Color	Digi-Key Part No.	Price Each	E-Z-Hook Part No.
				1 100 250	
1	.006" Dia. Wire Double Hook, .025" Spacing	Black	461-1000-ND	17.43 15.75 13.97	X2015 BLK
		Red	461-1001-ND	17.43 15.75 13.97	X2015 RED
2	Pico-Hook with .025" Square Pin Gold Plated	Black	461-1002-ND	3.47 3.14 2.78	P25 BLK
		Red	461-1003-ND	3.47 3.14 2.78	P25 RED
3	Micro-Hook Test Connector	Black	461-1004-ND	1.93 1.74 1.55	XM BLK
		Red	461-1005-ND	1.93 1.74 1.55	XM RED
	Micro-Hook with .025" Square Pin	Black	461-1006-ND	19.09 17.25 15.30	XM-S
		Red	461-1007-ND	3.30 2.99 2.65	XM25 BLK
4	E-Z-Micro Double Gripper	Black	461-1009-ND	2.66 2.40 2.13	XKM BLK
		Red	461-1010-ND	2.66 2.40 2.13	XKM RED
	Mini-Hook Test Connector	Gray	461-1011-ND	2.66 2.40 2.13	XKM GRAY
		Set/10	461-1012-ND	26.39 23.85 21.15	XKM-S
5	Mini-Hook Test Connector, Extended	Black	461-1013-ND	1.74 1.58 1.40	X100W BLK
		Red	461-1014-ND	1.74 1.58 1.40	X100W RED
	Mini-Hook XR, Heavy Duty Hook	Black	461-1016-ND	3.65 3.30 2.93	XL1 BLK
		Red	461-1017-ND	3.65 3.30 2.93	XL1 RED
6	Macro-Hook Test Connector	Black	461-1020-ND	5.61 5.07 4.50	XH BLK
		Red	461-1021-ND	5.61 5.07 4.50	XH RED
	Macro-Hook Connector, Extended	Black	461-1022-ND	5.99 5.42 4.81	XHL BLK
		Red	461-1023-ND	5.99 5.42 4.81	XHL RED
7	Macro-Hook Piercing Connector	Black	461-1024-ND	6.81 6.15 5.46	XJ BLK
		Red	461-1025-ND	6.81 6.15 5.46	XJ RED
	Macro-Hook Piercing Connector, Extended	Black	461-1026-ND	7.45 6.74 5.98	XJL BLK
		Red	461-1027-ND	7.45 6.74 5.98	XJL RED
8	Insulation Piercing Test Connector	Black	461-1028-ND	11.70 10.58 9.38	XEL BLK
		Red	461-1029-ND	11.70 10.58 9.38	XEL RED

Panel Mounts

Set/10: 1 each of: Brown, Black, Red, Orange, Yellow, Green, Blue, Violet, Gray, White



Dimensions in Inches

Fig. 1 – Banana Jack 	Fig. 2 – Double Banana Jack
---------------------------------	--

Fig.	Description	Color	Digi-Key Part No.	Price Each	E-Z-Hook Part No.
				1 100 250	
1	Standard Banana Jack	Red/Black	461-1215-ND	3.25 2.94 2.61	9284 R/B
	Standard Banana Jack	Set/10	461-1216-ND	16.27 14.70 13.04	9284-S
2	Double Standard Banana Jack with Binding Post	Red/Black	461-1217-ND	6.89 6.23 5.52	9406

Adapters

Dimensions in Inches

Fig. 1 – Jack to Alligator 	Fig. 2 – Banana Jack to .080 Tip Pin
Fig. 3 – BNC to Double Banana Plug 	Fig. 4 – Double Banana Jack to Plug
Fig. 5 – Hook to Banana Jack 	Fig. 6 – Banana Jack to Flexible Pin or Socket

Fig.	Description	Color	Digi-Key Part No.	Price Each	E-Z-Hook Part No.
				1 100 250	
1	Standard Tip Jack to Standard Alligator Clip	Red/Black	461-1207-ND	4.15 3.75 3.33	8014 R/B
	Standard Banana Jack to Standard Alligator Clip	Red/Black	461-1208-ND	1.56 1.41 1.26	8016 R/B
2	Standard Banana Jack to Tip Pin	Red/Black	461-1206-ND	3.95 3.57 3.17	8018 R/B
	BNC Female to Standard Double Banana Plug	Black	461-1278-ND	7.24 6.54 5.80	9225
3	BNC Male to Standard Double Banana Plug	Black	461-1279-ND	8.02 7.25 6.43	9248
	Stacking Double Banana Plug	Black	461-1237-ND	4.37 3.95 3.50	DB750BLK
5	Mini-Hook w/ Standard Banana Jack Plunger	Red/Black	461-1218-ND	8.63 7.80 6.92	8036 R/B
	Mini-Hook XR w/ Standard Banana Jack Plunger	Red/Black	461-1219-ND	9.33 8.43 7.48	8037 R/B
	Mini-Hook XL w/ Standard Banana Jack Plunger	Red/Black	461-1220-ND	13.15 11.88 10.54	8038 R/B

E-Z-Flex™ Test

Banana socket end is brass tin plated. All other contact ends are gold plated.

Fig.	AWG	Contact Dia. Inches	Type Contact	Color	Digi-Key Part No.	Price Each	E-Z-Hook Part No.
						1 100 250	
6	22	.030	Socket	Red	461-1221-ND	5.43 4.91 4.35	9334 RED
			Pin	Red	461-1229-ND	4.08 3.69 3.28	9338 RED
			Socket	Black	461-1222-ND	5.43 4.91 4.35	9334 BLK
			Pin	Black	461-1230-ND	4.08 3.69 3.28	9338 BLK
			Socket	Red	461-1223-ND	4.08 3.69 3.28	9335 RED
			Pin	Red	461-1231-ND	4.52 4.08 3.62	9339 RED
6	20	.040	Socket	Black	461-1224-ND	4.08 3.69 3.28	9335 BLK
			Pin	Black	461-1232-ND	4.52 4.08 3.62	9339 BLK

RoHS Compliant

Connectors



(Set/10: 1 each of: Brown, Black, Red, Orange, Yellow, Green, Blue, Violet, Gray, White)

Dimensions in Inches

Fig. 1 – Shrouded Banana Plug 	Fig. 2 – Banana Plug
--	---------------------------------

Fig.	Description	Color	Digi-Key Part No.	Price Each	E-Z-Hook Part No.
				1 100 250	
1	Shrouded Right Angle Std. Banana Plug	Red/Black	461-1204-ND	8.98 8.12 7.20	9302 R/B
2	Standard Banana Plug	Red/Black	461-1214-ND	2.86 2.58 2.29	9202 R/B
		Set/10	461-1213-ND	14.11 12.75 11.31	9202-S

Probes

Features: • Lead Wire: 18AWG, (65 x 36) T.C. Flexible PVC insulation.

Dimensions in Inches

Description	Length (Inches)	Color	Digi-Key Part No.	Price Each	E-Z-Hook Part No.
				1 100 250	
Pin Tip Probe	—	Red/Black	461-1209-ND	6.21 5.61 4.98	30 R/B
Needle Tip Probe	—	Red/Black	461-1211-ND	6.21 5.61 4.98	34 R/B
Needle Tip with Standard Banana Jack	—	Red/Black	461-1212-ND	7.60 6.87 6.10	35 R/B
Test Probe to Standard Banana Plug	36	Red/Black	461-1183-ND	12.75 11.52 10.22	658-36 R/B
Test Probe to Shrouded Std. Banana Plug	36	Red/Black	461-1184-ND	15.17 13.71 12.16	666-36 R/B
Test Probe to Shrouded Std. Banana Plug	36	Red/Black	461-1186-ND	15.94 14.40 12.77	63334-36 R/B

(Continued)

More Product Available Online: www.digkey.com

Toll-Free: 1-800-344-4539 • Phone 218-681-6674 • Fax: 218-681-3380