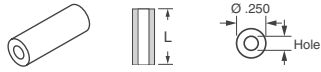


Round Aluminum Spacers (Non Threaded)

Materials: Brass: Nickel Plate (QQ-N-290)
Aluminum: Iridite Finish (MIL-C-5541)

Clearance Hole: • .120" for #4 Screw • .140 for #6 Screw • .171 for #8 Screw



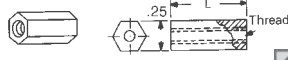
Screw (Hole)	Dim. L (Inch)	Brass Spacers Part No.	Pricing		Aluminum Spacers Part No.	Pricing	
			10	100		10	100
#4 (.120)	.125	1909K-ND	3.64	26.05	2036K-ND	2.13	13.20
	.250	1454AK-ND	4.14	29.65	3457K-ND	2.49	13.45
	.375	1454BK-ND	4.87	34.25	3458K-ND	2.96	16.00
	.500	1454CK-ND	5.38	37.55	3459K-ND	3.23	17.75
	.625	1919K-ND	8.24	58.10	2314K-ND	3.57	20.05
	.750	1454DK-ND	7.08	57.20	3460K-ND	4.00	21.60
	.875	1920K-ND	6.53	53.75	3402K-ND	4.49	27.00
	1.000	1454EK-ND	7.73	66.56	3461K-ND	4.28	28.15
	1.500	1924K-ND	16.62	107.80	3462K-ND	11.03	65.45
	2.000	1925K-ND	22.03	142.90	3463K-ND	11.72	76.05
#6 (.140)	.125	1934K-ND	3.64	26.05	3403K-ND	2.13	13.20
	.250	1457AK-ND	4.14	29.65	3464K-ND	2.49	13.45
	.375	1457BK-ND	4.50	31.65	3465K-ND	2.96	16.00
	.500	1457CK-ND	5.28	37.60	3466K-ND	3.23	17.75
	.625	1935K-ND	6.08	42.90	3429K-ND	3.57	20.05
	.750	1457DK-ND	5.38	43.45	3467K-ND	4.00	21.60
	.875	1936K-ND	8.09	66.55	3438K-ND	4.49	27.00
	1.000	1457EK-ND	7.95	68.41	3468K-ND	4.28	28.15
	1.500	1937K-ND	16.62	107.80	3469K-ND	10.37	61.50
	2.000	1938K-ND	21.90	142.70	3470K-ND	11.72	76.05
#8 (.171)	.125	1942K-ND	3.64	26.05	4258K-ND	2.13	13.20
	.250	1480K-ND	4.14	29.65	3471K-ND	2.49	13.45
	.375	1481K-ND	4.41	31.60	3472K-ND	2.96	16.00
	.500	1482K-ND	5.28	37.60	3473K-ND	3.23	17.75
	.625	2032K-ND	5.89	42.35	4259K-ND	3.57	20.05
	.750	1483K-ND	5.23	43.05	3474K-ND	4.00	21.60
	.875	2033K-ND	8.09	66.55	4260K-ND	4.49	27.00
	1.000	1484K-ND	8.33	68.25	3475K-ND	4.28	28.15
	1.500	2034K-ND	16.62	107.80	3476K-ND	10.02	59.45
	2.000	2035K-ND	21.90	142.70	3477K-ND	11.72	76.05

◆ RoHS Compliant

Nylon Spacers

Hex Threaded Standoffs

Material: Nylon 6/6 Economical for terminal or printed circuit board supports.



Dim. L (Inch)	4-40 Thread Part No.	6-32 Thread Part No.	8-32 Thread Part No.	Pricing	
				10	100
.250	1902AK-ND	1903AK-ND	1904AK-ND	5.40	32.60
.375	1902BK-ND	1903BK-ND	1904BK-ND	5.53	33.35
.500	1902CK-ND	1903CK-ND	1904CK-ND	5.76	34.90
.625	1902FK-ND	1903FK-ND	1904FK-ND	5.02	41.25
.750	1902DK-ND	1903DK-ND	1904DK-ND	7.40	44.70
.875	1902GK-ND	1903GK-ND	1904GK-ND	5.65	46.55
1.000	1902EK-ND	1903EK-ND	1904EK-ND	8.51	43.61

Hex Threaded Standoffs - Flame Retardant

Material: Monsanto 340 FR UL 94V-0 rating

Dim. L (Inch)	4-40 Thread Part No.	6-32 Thread Part No.	8-32 Thread Part No.	Pricing	
				10	100
.250	8440AK-ND	8441AK-ND	8442AK-ND	5.98	49.10
.375	8440BK-ND	8441BK-ND	8442BK-ND	6.11	50.25
.500	8440CK-ND	8441CK-ND	8442CK-ND	6.36	52.10
.625	8440DK-ND	8441DK-ND	8442DK-ND	7.57	61.40
.750	8440EK-ND	8441EK-ND	8442EK-ND	21.96	153.48
.875	8440FK-ND	8441FK-ND	8442FK-ND	7.85	64.70
1.000	8440GK-ND	8441GK-ND	8442GK-ND	8.23	67.60

◆ RoHS Compliant

Round Thru-Hole Spacers

Material: Nylon 6/6



Dim. L (Inch)	#4 Screw .120 Hole Part No.	#6 Screw .140 Hole Part No.	#8 Screw .171 Hole Part No.	Pricing	
				10	100
.125	875K-ND	883K-ND	891K-ND	1.41	10.80
.250	876K-ND	884K-ND	892K-ND	1.54	11.85
.375	877K-ND	885K-ND	893K-ND	1.63	14.70
.500	878K-ND	886K-ND	894K-ND	1.72	16.20
.625	879K-ND	887K-ND	895K-ND	1.86	16.95
.750	880K-ND	888K-ND	896K-ND	1.89	18.20
.875	881K-ND	889K-ND	897K-ND	2.05	20.15
1.000	882K-ND	890K-ND	898K-ND	2.30	21.54

Rubber Grommets



I.D. A (In.)	For Hole B (Inch)	For Panel C (Inch)	Dim. (Inch)		Digi-Key Part No.	Pricing		
			D	E		10	100	500
.125	.187	.062	.312	.187	730K-ND	1.26	9.20	38.25
.125	.250	.062	.343	.187	733K-ND	1.14	8.25	36.00
.125	.437	.062	.625	.187	734K-ND	10.30	84.75	360.25
.125	.375	.093	.500	.312	735K-ND	4.29	30.80	131.00
.187	.312	.062	.437	.218	736K-ND	1.38	9.85	43.00

I.D. A (In.)	For Hole B (Inch)	For Panel C (Inch)	Dim. (Inch)		Digi-Key Part No.	Pricing		
			D	E		10	100	500
.187	.312	.062	.437	.218	731K-ND	1.38	9.85	43.00
.187	.281	.093	.437	.218	737K-ND	3.30	23.70	100.75
.250	.437	.062	.625	.187	738K-ND	3.42	24.60	105.25
.250	.375	.062	.562	.250	739K-ND	1.74	12.70	53.25
.250	.375	.093	.500	.250	740K-ND	2.96	21.15	90.50
.312	.562	.062	.812	.312	741K-ND	5.38	44.35	187.75
.312	.437	.062	.625	.281	742K-ND	2.40	17.15	73.50
.312	.437	.093	.625	.312	743K-ND	3.67	26.50	112.25
.375	.625	.062	.875	.312	744K-ND	5.79	47.45	202.50
.375	.500	.062	.625	.250	745K-ND	1.88	13.50	57.75
.437	.687	.062	.937	.312	746K-ND	6.39	52.75	223.50
.500	.812	.062	1.062	.312	747K-ND	6.67	53.10	226.25
.500	1.250	.062	1.500	.25	748K-ND	8.13	66.70	283.50
.500	.750	.093	.968	.281	749K-ND	3.46	31.99	135.75
.562	.812	.062	1.062	.312	750K-ND	7.85	64.55	274.25
.625	.875	.062	1.125	.312	752K-ND	4.49	34.20	144.75
.625	1.250	.062	1.500	.250	753K-ND	11.80	97.00	412.00
.750	1.062	.062	1.375	.375	755K-ND	12.03	99.05	420.75
.750	1.437	.062	1.812	.375	756K-ND	24.99	217.50	925.00
.875	1.250	.062	1.625	.437	757K-ND	17.09	151.30	643.75

◆ RoHS Compliant

Threaded Mounting Brackets

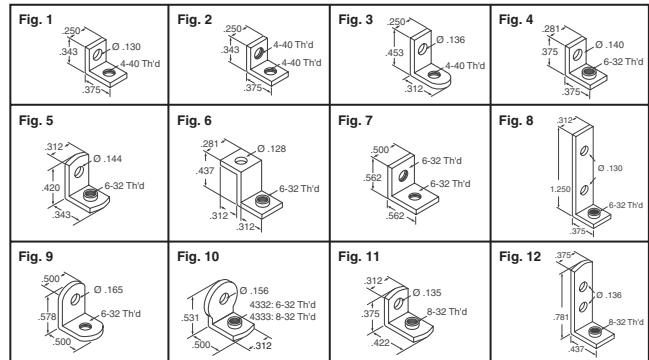
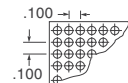


Fig.	Description	Digi-Key Part No.	Pricing	
			10	100
1	.062 Steel, Zinc Plate	612K-ND	2.19	14.80
2	.062 Steel, Zinc Plate	621K-ND	2.82	19.15
3	.047 Brass, Tin Plate	616K-ND	4.35	35.25
4	.032 Brass, Nickel Plate	634K-ND	4.60	29.20
5	.032 Brass, Tin Plate	614K-ND	2.51	19.15
6	.032 Brass, Tin Plate	630K-ND	12.99	103.50
7	.062 Steel, Nickel Plate	4334K-ND	6.03	36.45
8	.062 Steel, Nickel Plate	708K-ND	7.55	62.40
9	.062 Steel, Tin Plate	617K-ND	4.29	34.90
10	.062 Brass, Nickel Plate	4332K-ND	7.04	64.80
10	.062 Brass, Nickel Plate	4333K-ND	7.04	64.80
11	.037 Brass, Tin Plate	611K-ND	4.79	38.95
12	.037 Steel, Tin Plate	631K-ND	4.20	34.05

Prepunched Insulating Boards



Dimension - Inch Width	Inch Length	Digi-Key Part No.	Pricing		Keystone Part No.
			1	10	
Perfboard - Holes .042" (1.07mm) Dia., Glass Epoxy					
2.00	4.50	3405K-ND	5.22	48.72	3405
2.00	6.00	3406K-ND	6.81	63.56	3406
2.75	17.00	3407K-ND	20.40	190.40	3407
3.00	4.50	3408K-ND	7.11	66.36	3408
4.50	6.00	3409K-ND	9.96	92.96	3409
4.50	6.50	3410K-ND	11.52	107.52	3410
4.50	8.50	3411K-ND	12.24	114.24	3411
4.50	17.00	3412K-ND	27.99	261.24	3412
6.00	17.00	3413K-ND	37.68	351.68	3413

Miscellaneous Hardware



Description	Digi-Key Part No.	Pricing		Keystone Part No.
		1	10	
LED Spacer Mounts				
Universal Tri-Lead T-1 & T-1 3/4, 0.120"L	8900K-ND	.16	1.53	8900
Universal Tri-Lead T-1 & T-1 3/4, 0.440"L	8918K-ND	.19	1.83	8918
Self-Aligning Bi-Lead T-1, 0.140"L	7352K-ND	.16	1.53	7352
Self-Aligning Bi-Lead T-1 3/4, 0.250"L	8318K-ND	.17	1.59	8318
Self-Aligning Bi-Lead T-1 3/4, 0.340"L	8323K-ND	.18	1.65	8323
Spacers				
Aluminum Economy, #6 screw, 0.625"L	410K-ND	.13	1.27	410
Round, Swage Clear, #6 screw, 0.109"L	5064-2K-ND	.63	5.55	5064-2
Threaded Standoff				
Force-Fit, 4-40 Thread, 0.065"L	4861K-ND	.70	6.16	4861
Phenolic, 6-32 Thread, 0.750"L	386K-ND	.85	7.43	386
Round Swage, 2-56 Thread, 0.125"L	1589-2K-ND	.60	4.73	1589-2
Hex Swage, 6-32 Thread, 0.375"L	1622-2K-ND	.57	5.90	1622-2
PCI Computer Bracket	9203K-ND	2.15	19.80	9203K

More Product Available Online: www.digikey.com

Toll-Free: 1-800-344-4539 • Phone 218-681-6674 • Fax: 218-681-3380

(T083) 2227