

<p>Fig. 1 — Aluminum Open Racks</p> <ul style="list-style-type: none"> Panel holes #12-24 tapped 1,000 pounds load capacity • Use 377-1404-ND screws 	<p>Fig. 2 — Rack Mount Chassis</p> <ul style="list-style-type: none"> Front panel .12" thick mill finish aluminum with "Surface Shield" protection Side panels are punched on a .87" grid Handles and covers sold separately 	<p>Fig. 3 — Small Rack Mount Chassis</p> <ul style="list-style-type: none"> Panels .10" thick aluminum; chassis .05" thick aluminum • Covers sold separately 	<p>Fig. 4 — ValuLine Cabinets</p> <ul style="list-style-type: none"> Side and front panels .09" aluminum; base, rear and top .05" aluminum • 25 lbs. load capacity • Rack mounting brackets and rubber feet included 	<p>Fig. 5 — Keyboard/Mouse Shelf</p> <ul style="list-style-type: none"> Fits 19" panel • Mouse pad slides underneath right or left • Takes up 2-U of panel space
<p>Fig. 6 — Sliding Drawer</p> <ul style="list-style-type: none"> Fits 19" panel • Supports heavy loads, even when fully extended 	<p>Fig. 7 — Stationary Shelves</p> <ul style="list-style-type: none"> Fits 19" wide panel spaces • Supports up to 200 pounds • Requires two pairs of panel mounting rails per cabinet 	<p>Fig. 8 — Adjustable Shelf</p> <ul style="list-style-type: none"> Fits 19" panel spaces • Adjustable for depth within rack • Supports 150 pounds 	<p>Fig. 9 — Equipment Shelves</p> <ul style="list-style-type: none"> Fits 19" panel spaces • One piece construction • Supports 150 pounds 	<p>Fig. 10 — Open Rack Shelf</p> <ul style="list-style-type: none"> Fits 19" panel spaces • Supports 200 pounds

Open Racks

Color	Dimensions - Inch (cm)		Digi-Key Part No.	Price Each		Bud Ind. Part No.
	A	Panel Space		1	5	
Fig. 1 — Aluminum Open Racks — RoHS Compliant						
Black	84.00 (213.36)	77.00 x 19.00 (195.58 x 48.26)	377-1196-ND	260.00	217.08	ARR-1272-BT
Natural	84.00 (213.36)	77.00 x 19.00 (195.58 x 48.26)	377-1197-ND	240.00	200.44	ARR-1272-NF

Rack Mount Chassis

Dimensions - Inch (mm)		Handles	Digi-Key Part No.	Price Each			Bud Ind. Part No.
A	B			1	5	10	
Fig. 2 — Rack Mount Chassis — RoHS Compliant							
5.25 (133.35)	17.06 (433.32)	H-9160-B	377-1268-ND	64.80	54.10	48.70	RM-14212
7.00 (177.8)	17.06 (433.32)	H-9111-B	377-1269-ND	74.20	61.95	55.75	RM-14213
5.25 (133.35)	22.00 (558.8)	H-9160-B	377-1392-ND	73.00	60.95	54.85	RM-14222
7.00 (177.8)	22.00 (558.8)	H-9111-B	377-1393-ND	85.60	71.50	64.35	RM-14223
8.75 (222.25)	22.00 (558.8)	H-9112-B	377-1394-ND	104.30	87.10	78.40	RM-14224
10.50 (266.7)	22.00 (558.8)	H-9113-B	377-1395-ND	124.30	103.80	93.40	RM-14225

Description	Fits Chassis	Digi-Key Part No.	Price Each		Bud Ind. Part No.
			1	10	
Rack Mount Chassis Covers — RoHS Compliant					
Solid Top or Bottom Cover	RM-14212-13	377-1310-ND	29.60	24.75	TBC-14252
Ventilated Top or Bottom Cover	377-1311-ND	33.10	27.65	TBC-14262	
Solid Top or Bottom Cover	RM-14222-25	377-1396-ND	33.60	28.10	TBC-14253
Ventilated Top or Bottom Cover	377-1397-ND	35.50	29.70	TBC-14263	

Dimensions - Inch (mm)		Fits Rack Inch (mm)	Digi-Key Part No.	Price Each		Bud Ind. Part No.
A x B x C				1	10	
Fig. 3 — Small Rack Mount Chassis — RoHS Compliant						
1.75 x 17.00 x 4.00 (44.45 x 431.8 x 101.6)	19.00 (482.6)	377-1205-ND	36.00	30.08	CH-14400	
1.75 x 17.00 x 8.00 (44.45 x 431.8 x 203.2)	19.00 (482.6)	377-1206-ND	43.50	36.34	CH-14401	
1.75 x 17.00 x 16.00 (44.45 x 431.8 x 406.4)	19.00 (482.6)	377-1207-ND	63.50	53.08	CH-14402	
3.50 x 17.00 x 8.00 (88.9 x 431.8 x 203.2)	19.00 (482.6)	377-1208-ND	61.40	51.25	CH-14403	
3.50 x 17.00 x 16.00 (88.9 x 431.8 x 203.2)	19.00 (482.6)	377-1209-ND	78.80	65.80	CH-14404	

Description	Fits Chassis	Digi-Key Part No.	Price Each		Bud Ind. Part No.
			1	10	
Small Rack Mount Chassis Covers — RoHS Compliant					
Ventilated Top or Bottom Cover	CH-14400	377-1417-ND	10.80	9.04	C-14430
Solid Top or Bottom Cover	377-1420-ND	9.10	7.59	C-14440	
Ventilated Top or Bottom Cover	CH-14401, 03	377-1418-ND	18.20	15.23	C-14431
Solid Top or Bottom Cover	377-1421-ND	14.40	12.00	C-14441	
Ventilated Top or Bottom Cover	CH-14402, 04	377-1419-ND	29.10	24.31	C-14432
Solid Top or Bottom Cover	377-1422-ND	24.50	20.46	C-14442	

Dimensions - Inch (mm)		Fits Rack Inch (mm)	Digi-Key Part No.	Price Each		Bud Ind. Part No.
A x B x C				1	5	
Fig. 4 — ValuLine Series Cabinets (with handles) — RoHS Compliant						
3.50 x 17.00 x 8.00 (88.9 x 431.8 x 203.2)	19.00 (482.6)	377-1238-ND	97.00	81.00	HC-14099	
3.50 x 17.00 x 13.00 (88.9 x 431.8 x 330.2)	19.00 (482.6)	377-1239-ND	188.90	157.70	HC-14101	

Dimensions - Inch (mm)		Fits Rack Inch (mm)	Digi-Key Part No.	Price Each		Bud Ind. Part No.
A x B x C				1	5	
5.25 x 17.00 x 13.00 (133.35 x 431.8 x 330.2)	19.00 (482.6)	377-1240-ND	194.70	162.60	HC-14103	
7.00 x 17.00 x 13.00 (177.8 x 431.8 x 330.2)	19.00 (482.6)	377-1241-ND	204.40	170.70	HC-14104	
8.75 x 17.00 x 13.00 (222.25 x 431.8 x 330.2)	19.00 (482.6)	377-1242-ND	214.20	178.85	HC-14105	
10.50 x 17.00 x 15.00 (266.7 x 431.8 x 381)	19.00 (482.6)	377-1243-ND	239.60	200.05	HC-14107	

Accessories

Color	Maximum Panel Keyboard Width - Inch (cm)	Digi-Key Part No.	Price Each		Bud Ind. Part No.
			1	10	
Fig. 5 — Keyboard/Mouse Shelf					
Black	19.0 x 16.5 (48.26 x 41.91)	377-1244-ND	180.00	150.30	KS-1785-BT

Color	Dimensions - Inch (cm)			Digi-Key Part No.	Price Each		Bud Ind. Part No.
	A	B	C		1	5	
Fig. 6 — Sliding Drawer (inside dimensions) — RoHS Compliant							
Black	6.31 (16.03)	16.56 (42.06)	19.18 (48.72)	377-1224-ND	268.50	224.20	D-1723-BT

Color	Dimensions - Inch (cm)		Digi-Key Part No.	Price Each			Bud Ind. Part No.
	Width	Depth		1	3	5	
Fig. 7 — Stationary Shelves - Non Ventilated							
Black	17.90 (45.47)	26.50 (67.31)	377-1306-ND	89.30	66.90	62.50	SH-2382
	17.90 (45.47)	19.25 (48.90)	377-1188-ND	79.40	59.50	55.60	60-2380
	17.90 (45.47)	22.75 (57.79)	377-1189-ND	83.40	62.50	58.40	60-2381
	17.00 (43.18)	17.75 (45.09)	377-1416-ND	144.00	—	107.90	SH-2388

Color	Dimensions - Inch (cm)		Digi-Key Part No.	Price Each			Bud Ind. Part No.
	Width	Depth		1	3	5	
Fig. 7 — Stationary Shelves - Ventilated — RoHS Compliant							
Black	17.90 (45.47)	17.75 (45.09)	377-1307-ND	83.20	62.35	58.25	SH-2384
	17.90 (45.47)	21.25 (53.98)	377-1308-ND	86.30	64.65	60.40	SH-2385
	17.90 (45.47)	26.50 (67.31)	377-1309-ND	93.50	70.05	65.45	SH-2386
	17.00 (43.18)	17.75 (45.09)	377-1415-ND	146.40	—	109.70	SH-2392

† Sliding Shelf

Color	Dimensions - Inch (cm)		Digi-Key Part No.	Price Each		Bud Ind. Part No.	
	A	B		1	50		
Fig. 8 — Adjustable Shelf-Open Rack — RoHS Compliant							
Black	17.62 (44.75)	20.00 (50.80)	377-1290-ND	108.90	90.90	81.81	SA-1279-BT

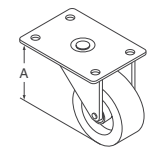
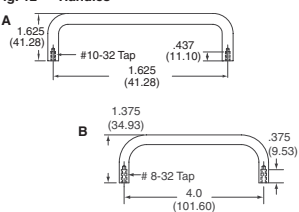
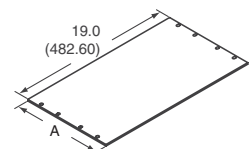
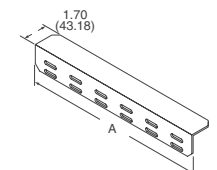
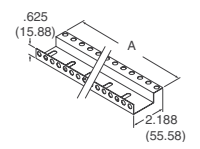
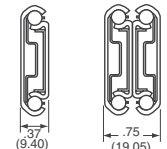
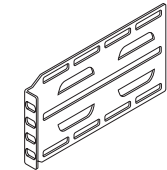
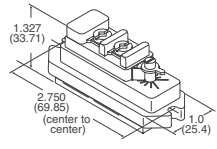
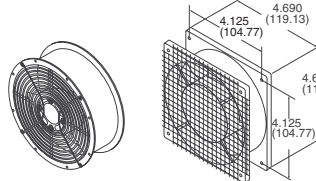
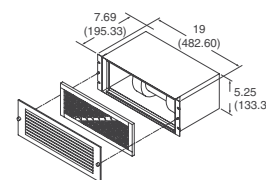
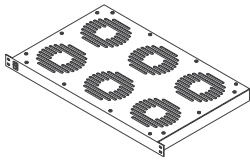
Color	Dimensions - Inch (cm)		Digi-Key Part No.	Price Each		Bud Ind. Part No.	
	A	B		1	50		
Fig. 9 — Equipment Shelves-Open Rack-Non Ventilated — RoHS Compliant							
Black	17.62 (44.75)	15.00 (38.10)	377-1291-ND	73.60	61.45	55.30	SA-1750-BT
	17.62 (44.75)	20.00 (50.80)	377-1293-ND	88.00	73.50	66.15	SA-1752-BT

Color	Dimensions - Inch (cm)		Digi-Key Part No.	Price Each		Bud Ind. Part No.	
	A	B		1	50		
Fig. 9 — Equipment Shelves-Open Rack-Ventilated — RoHS Compliant							
Black	17.62 (44.75)	15.00 (38.10)	377-1292-ND	80.40	67.15	60.45	SA-1751-BT
	17.62 (44.75)	20.00 (50.80)	377-1294-ND	95.40	79.65	71.70	SA-1753-BT

Color	Dimensions - Inch (cm)		Digi-Key Part No.	Price Each		Bud Ind. Part No.	
	A	B		1	50		
Fig. 10 — Open Rack Shelf-Non Ventilated — RoHS Compliant							
Black	17.62 (44.75)	19.00 (48.26)	377-1295-ND	92.80	77.50	69.75	SA-1765-BT

Wheel Description	Dimension A Inch (mm)	Load Rating	Digi-Key Part No.	Price Each		Bud Ind. Part No.	
				1	50		
Fig. 11 — Casters (Sold in Pairs) — RoHS Compliant							
Composition	3.25 (82.55)	200 lbs.	377-1264-ND	32.90	27.40	21.90	RC-7758-PR
Rubber with Brake	5.13 (130.18)	240 lbs.	377-1265-ND	77.50	64.60	58.16	RC-7760-PR
Rubber	5.13 (130.18)	240 lbs.	377-1266-ND	67.00	55.85	50.25	RC-7762-PR

◆ RoHS Compliant (Continued)

<p>Fig. 11 — Casters</p>  <ul style="list-style-type: none"> • Heavy duty, ball bearing, swivel type • Hard tread rubber 	<p>Fig. 12 — Handles</p>  <ul style="list-style-type: none"> • High quality • Designed for long wear 	<p>Fig. 13 — Panels</p> 	<p>Fig. 14 — Chassis Support Brackets</p>  <ul style="list-style-type: none"> • Attaches to panel mounting rail accessory flange • Sold in pairs
<p>Fig. 15 — Panel Mounting Rails</p>  <ul style="list-style-type: none"> • 12 gauge steel • Rail mounting hardware included (Use 377-1403-ND screws, sold separately) • Black finish • Sold in pairs 	<p>Fig. 16 — Slides</p>  <ul style="list-style-type: none"> • Telescoping • Zinc-plated alloy steel with ball bearings 	<p>Fig. 17 — Slide Mounting Brackets</p>  <ul style="list-style-type: none"> • Designed for mounting two and three piece slides • Sold in pairs 	<p>Fig. 18 — Tem-Stat Temperature Control</p>  <ul style="list-style-type: none"> • Contacts open when there is a 10°F drop in temperature • Prevents shut-downs caused by overheating
<p>Fig. 19 — Fans and Blowers</p>  <p>FN-1280: • Mounts in FT-1170 fan tray or can be used for individual applications • Supplied with finger guard • UL approved, 105 CFM FN-1282: • Mounts in top of ventilated Economizer racks • Supplied with finger guard • UL/CSA rated, 535 CFM</p>	<p>Fig. 20 — Fan Tray Assemblies</p>  <ul style="list-style-type: none"> • 19" panel width with standard EIA notching for rack mounting • Motors are UL and CSA approved for 115VAC, 50/60Hz 	<p>Fig. 20 — Fan Tray Assemblies</p>  <ul style="list-style-type: none"> • Standard EIA 19.00" x 1-U (1.75") panel mounting • 115VAC • 7" long, three prong, power cord 	

Dimensions - Inch (mm)			Digi-Key Part No.	Price Each			Bud Ind. Part No.
Hand Clearance	Mounting Center	Diameter		1	10	100	
Fig. 12A — Chrome Plated Handles — RoHS Compliant							
1.25 (31.75)	6.00 (152.4)	.37 (9.398)	377-1228-ND*	8.30	6.95	6.25	H-9110-B
.93 (23.62)	4.00 (101.6)	.37 (9.398)	377-1229-ND*	6.40	5.30	4.75	H-9111-B
.93 (23.62)	6.00 (152.4)	.37 (9.398)	377-1230-ND*	7.80	6.50	5.85	H-9112-B
.93 (23.62)	8.00 (203.2)	.37 (9.398)	377-1231-ND	10.60	8.85	7.95	H-9113-B
1.50 (38.1)	8.00 (203.2)	.50 (12.7)	377-1232-ND†	16.50	13.80	12.40	H-9114-B
1.68 (3.36)	3.50 (88.9)	.37 (9.398)	377-1233-ND†	12.40	10.35	9.30	H-9160-B
1.68 (3.36)	5.25 (133.35)	.37 (9.398)	377-1234-ND†	10.60	8.90	8.00	H-9161-B
1.00 (25.4)	1.90 (48.26)	.25 (6.35)	377-1235-ND§	6.00	5.00	4.50	H-9166-B
1.00 (25.4)	3.00 (76.2)	.25 (6.35)	377-1236-ND§	5.70	4.70	4.25	H-9168-B

* Includes 2 - #10-32 x .37" screws. † Includes 2 - #6-32 x .50" screws. § Includes 2 - 1/4"-28 Hex nuts.

Dimensions - Inch (mm)			Digi-Key Part No.	Price Each			Bud Ind. Part No.
Hand Clearance	Mounting Center	Diameter		1	10	100	
Fig. 12B — Clear Anodized Aluminum Handle — RoHS Compliant							
1.09 (27.69)	4.00 (101.6)		377-1237-ND*	10.85	9.05	8.15	H-9174-B

* Includes 2-8-32 x .37" screws

Dimension - Inch (mm)	Digi-Key Part No.	Price Each			Bud Ind. Part No.
A		1	10	50	
Fig. 13 — 19" Aluminum Surface Shield Panels - .12" Thick — RoHS Compliant					
1.75 (44.45)	377-1300-ND	9.50	7.95	7.15	SFA-1831
3.50 (88.9)	377-1301-ND	13.90	11.55	10.40	SFA-1832
5.25 (133.35)	377-1302-ND	17.80	14.90	13.40	SFA-1833
7.00 (177.8)	377-1303-ND	22.80	19.05	17.15	SFA-1834
8.75 (222.25)	377-1304-ND	25.00	20.85	18.75	SFA-1835
10.50 (266.7)	377-1305-ND	32.40	27.00	24.30	SFA-1836
Fig. 13 — 19" Aluminum Panels - .12" Thick (Gray) — RoHS Compliant					
1.75 (44.45)	377-1247-ND	10.35	8.65	7.80	PA-1101-MG
3.50 (88.9)	377-1248-ND	14.40	12.00	10.80	PA-1102-MG
5.25 (133.35)	377-1249-ND	19.70	16.40	14.75	PA-1103-MG
7.00 (177.8)	377-1250-ND	24.50	20.50	18.45	PA-1104-MG
8.75 (222.25)	377-1251-ND	29.70	24.80	22.30	PA-1105-MG
10.50 (266.7)	377-1252-ND	37.00	31.50	28.35	PA-1106-MG
12.25 (311.15)	377-1253-ND	41.40	34.50	31.05	PA-1107-MG
14.00 (355.6)	377-1254-ND	53.00	44.21	39.78	PA-1108-MG
Fig. 14 — Chassis Support Brackets (Sold in Pairs) — RoHS Compliant					
13.00 (330.2)	377-1213-ND	30.30	25.30	22.75	CSB-1352
16.00 (406.4)	377-1214-ND	32.80	27.38	24.66	CSB-1353
23.00 (584.2)	377-1215-ND	35.50	29.63	26.69	CSB-1354

Dimension - Inch (cm)	Digi-Key Part No.	Price Each			Bud Ind. Part No.
A		1	5	10	
Fig. 15 — Panel Mounting Rails (Sold in Pairs) — RoHS Compliant					
70.0 (177.80)	377-1413-ND	120.70	100.80	90.70	PMR-9453

Dimensions - Inch (cm)		Load Rating (per pair)	Digi-Key Part No.	Price Each			Bud Ind. Part No.
Slide Length	Travel			1	3	5	
Fig. 16 — Sliding Mechanisms - 2 Piece Slide — RoHS Compliant							
12 (30.48)	8 (20.32)	140 lbs.	377-1199-ND	30.50	25.45	22.90	AS-5000-A
16 (40.64)	12 (30.48)	120 lbs.	377-1200-ND	40.10	33.50	30.15	AS-5001-A
20 (50.80)	15 (38.10)	92 lbs.	377-1201-ND	42.00	35.10	31.60	AS-5002-A
26 (66.04)	19 (48.26)	70 lbs.	377-1202-ND	46.40	38.75	34.90	AS-5004-A
20 (50.80)	20.875 (53.02)	91 lbs.	377-1203-ND*	91.00	76.00	68.40	AS-5042-A

* 3 piece slide full extension

Description	Digi-Key Part No.	Price Each			Bud Ind. Part No.
		1	3	5	
Fig. 17 — Slide Mounting Brackets (Sold in Pairs) — RoHS Compliant					
Universal Kit	377-1204-ND	30.20	25.05	22.55	BAS-5106

Description	Digi-Key Part No.	Price Each			Bud Ind. Part No.
		1	5	10	
Fig. 18 — Tem-Stat Temperature Control — RoHS Compliant					
Normally Open; Closes on Temperature Rise...	377-1314-ND	34.80	—	26.15	TS-15
Rack Mount Power Outlet Strip					
15 Amps.....	377-1414-ND	70.00	52.50	49.06	POS-194-S
Mounting Hardware					
10-32 X .62" Phillips Screw Truss Head.....	377-1403-ND	4.00/25			7346
10-32 X .62" Phillips Screw with Pilot, Black.....	377-1409-ND	7.00/25			7346B
10-32 Cage Nut, Zinc-Plated.....	377-1405-ND♦	21.25/25			295
12-24 X .5" Phillips Screw Truss Head.....	377-1404-ND	5.00/25			9260
Fig. 19 — Fans and Blowers — RoHS Compliant					
Tubeaxial, 110V, .21 Amps.....	377-1225-ND	46.88	37.50	28.15	FN-1280
Exhaust, 10 inch, 115VAC.....	377-1226-ND	179.60	134.70	125.70	FN-1282
Fan Tray Assembly.....	377-1227-ND*	235.50	176.65	164.85	FT-1170-MG
Fig. 20 — Fan Tray Assemblies					
Assembly with 3 Fans, Total CFM 315.....	377-1423-ND♦	195.50	141.74	136.84	FT-1973
Assembly with 6 Fans, Total CFM 630.....	377-1424-ND♦	300.80	218.10	210.54	FT-1976
Assembly with 9 Fans, Total CFM 945.....	377-1425-ND	394.50	286.02	276.14	FT-1979

♦ RoHS Compliant * Fans sold separately, part number 377-1225-ND.

More Product Available Online: www.digkey.com