

Fig. 1 — Aluminum Chassis

• Welded at stress points for assured, maximum strength and rigidity • Sides folded in at bottom for additional support • Bottom plate easily attached • Natural finish
NOTE: Bottom plate sold separately.

Fig. 2 — Plastiboxes — Style G

• ABS plastic • UL94-HB flammability rating • Suggested service temperature -40°C - 60°C

Fig. 3 — Plastiboxes — Style I

• ABS plastic material • UL94-5VA flammability rating

Fig. 4 — Hand-Held Grabber Enclosures — Style B

• ABS plastic in a light gray finish • UL94V-0 flammability rating

Fig. 5 — Hand-Held Grabber Enclosures — Style K

• ABS plastic with UL94V-0 flammability rating

Fig. 6 — Hand-Held Grabber Enclosures — Style L

• High impact resistant black ABS plastic with UL94V-0 flammability rating

Fig. 7 — Hand-Held Grabber Enclosures — Style M

• Impact resistant black ABS plastic with UL94V-0 flammability rating

Fig. 8 — Hand-Held Grabber Enclosures — Style N

• Impact resistant black ABS plastic with UL94V-0 flammability rating

Fig. 9 — Utility Cabinets

• Sturdy, all-welded body • Available in .040" aluminum or 20 gauge steel: "AU" prefix - aluminum alloy in natural finish; "CU" prefix - steel in metallic gray finish

Fig. 10 — ABS Plastic Utiliboxes

• Aluminum or plastic cover

Color	Dimensions - Inch (mm)			Digi-Key Part No.	Price Each			Bud Ind. Part No.
	A	B	C		1	10	50	
Fig. 1 — Chassis								
Natural	1.50 (38.1)	4.00 (100.4)	6.00 (152.4)	377-1000-ND	9.80	8.22	7.38	AC-1405
	2.00 (50.8)	6.00 (152.4)	8.00 (203.2)	377-1001-ND	12.50	10.40	9.35	AC-1413
	2.50 (63.5)	8.00 (203.2)	10.00 (254)	377-1002-ND	20.20	16.89	15.21	AC-1418
	2.50 (63.5)	8.00 (203.2)	12.00 (304.8)	377-1003-ND	25.00	20.86	18.75	AC-1419
	5.00 (127)	10.00 (254)	17.00 (431.8)	377-1004-ND	57.40	47.91	43.13	AC-1422
	5.00 (127)	13.00 (330.2)	17.00 (431.8)	377-1005-ND	66.20	55.28	49.76	AC-1426
	3.00 (76.2)	14.00 (355.6)	17.00 (431.8)	377-1006-ND	48.20	40.22	36.18	AC-1427
	4.00 (101.6)	15.00 (381)	17.00 (431.8)	377-1007-ND	65.40	54.59	49.13	AC-1428
	6.00 (152.4)	15.00 (381)	17.00 (431.8)	377-1008-ND	92.60	77.33	69.61	AC-1429
	3.00 (76.2)	17.00 (431.8)	17.00 (431.8)	377-1009-ND	56.10	46.86	42.19	AC-1430
	4.00 (101.6)	17.00 (431.8)	17.00 (431.8)	377-1010-ND	65.70	54.89	49.38	AC-1431
	2.00 (50.8)	5.00 (127)	7.00 (177.8)	377-1011-ND	10.90	9.07	8.18	AC-402
	2.00 (50.8)	5.00 (127)	9.50 (241.3)	377-1012-ND	13.20	10.95	9.85	AC-403
	3.00 (76.2)	5.00 (127)	10.00 (254)	377-1013-ND	16.80	14.02	12.60	AC-404
	2.00 (50.8)	7.00 (177.8)	7.00 (177.8)	377-1014-ND	11.40	9.42	8.48	AC-405
	2.00 (50.8)	7.00 (177.8)	9.00 (228.6)	377-1015-ND	13.80	11.49	10.33	AC-406
	2.00 (50.8)	7.00 (177.8)	11.00 (279.4)	377-1016-ND	16.00	13.32	12.00	AC-407
	3.00 (76.2)	7.00 (177.8)	12.00 (304.8)	377-1017-ND	21.20	17.69	15.90	AC-408
	2.00 (50.8)	7.00 (177.8)	13.00 (330.2)	377-1018-ND	17.40	14.57	13.11	AC-409
	3.00 (76.2)	7.00 (177.8)	15.00 (381)	377-1019-ND	27.60	23.04	20.73	AC-411
3.00 (76.2)	8.00 (203.2)	17.00 (431.8)	377-1020-ND	28.70	24.03	21.61	AC-412	
3.00 (76.2)	10.00 (254)	12.00 (304.8)	377-1021-ND	32.20	26.96	24.29	AC-413	
3.00 (76.2)	10.00 (254)	14.00 (355.6)	377-1022-ND	32.80	27.50	24.76	AC-414	
2.00 (50.8)	10.00 (254)	17.00 (431.8)	377-1023-ND	29.20	24.43	22.01	AC-415	
3.00 (76.2)	10.00 (254)	17.00 (431.8)	377-1024-ND	34.20	28.54	25.71	AC-416	
3.00 (76.2)	12.00 (304.8)	17.00 (431.8)	377-1025-ND	36.10	30.07	27.08	AC-418	
2.00 (50.8)	13.00 (330.2)	17.00 (431.8)	377-1026-ND	37.00	30.86	27.75	AC-419	
3.00 (76.2)	13.00 (330.2)	17.00 (431.8)	377-1027-ND	42.60	35.57	32.01	AC-420	
3.00 (76.2)	5.00 (127)	9.50 (241.3)	377-1028-ND	16.70	13.92	12.56	AC-421	
3.00 (76.2)	8.00 (203.2)	12.00 (304.8)	377-1029-ND	25.40	21.21	19.11	AC-424	
4.00 (101.6)	10.00 (254)	17.00 (431.8)	377-1030-ND	49.20	41.13	37.04	AC-427	
4.00 (101.6)	13.00 (330.2)	17.00 (431.8)	377-1031-ND	51.90	43.29	38.98	AC-428	
3.00 (76.2)	5.00 (127)	7.00 (177.8)	377-1032-ND	14.00	11.69	10.53	AC-429	
3.00 (76.2)	4.00 (101.6)	6.00 (152.4)	377-1033-ND	12.45	10.30	9.25	AC-430	
2.00 (50.8)	4.00 (101.6)	6.00 (152.4)	377-1034-ND	10.10	8.47	7.63	AC-431	

Color	Dimensions - Inch (mm)			Digi-Key Part No.	Price Each			Bud Ind. Part No.	
	A	B	C		1	10	50		
Fig. 2 — Plastiboxes — Style G									
Gray	1.50 (38.10)	2.25 (57.15)	3.62 (91.95)	377-1161-ND	6.70	5.59	5.00	PT-11308-G	
	1.50 (38.10)	3.25 (82.55)	5.62 (142.75)	377-1157-ND	12.20	10.19	9.00	PBS-11327-G	
	2.48 (62.99)	3.25 (82.55)	5.62 (142.75)	377-1162-ND	11.30	9.46	8.50	PT-11388-G	
	1.52 (38.61)	3.25 (82.55)	4.37 (111)	377-1158-ND	5.20	4.34	3.90	PBS-11532-G	
	1.52 (38.61)	3.25 (82.55)	5.62 (142.75)	377-1159-ND	5.50	4.60	4.10	PS-11543-G	
	2.52 (64.01)	4.87 (123.70)	6.87 (174.50)	377-1160-ND	6.80	5.65	5.10	PS-11553-G	
			377-1163-ND	7.20	6.00	5.50	PT-11557-G		
Fig. 3 — Plastiboxes — Style I									
Black	7.50 (190.50)	5.00 (127.00)	1.75 (44.45)	377-1572-ND	12.10	10.10	9.00	PT-11785-MP	
Fig. 4 — Hand-Held Grabber Enclosures — Style B									
Gray	1.71 (43.43)	5.16 (131.06)	9.33 (236.98)	377-1170-ND	19.00	15.85	14.50	HH-3420	
Fig. 5 — Hand-Held Grabber Enclosures — Style K									
Black	4.63 (117.60)	2.85 (72.39)	1.00 (25.40)	377-1550-ND	9.80	8.20	7.50	HH-3524	
	5.50 (139.70)	3.25 (82.55)	1.00 (25.40)	377-1551-ND	11.00	9.20	8.50	HH-3535	
Fig. 6 — Hand-Held Grabber Enclosures — Style L									
Black	5.71 (145.03)	3.54 (89.92)	1.26 (32.00)	377-1552-ND	7.10	5.90	5.40	HH-3580-B	
				377-1553-ND†	8.20	6.85	6.30	HH-3580-BCB	
Fig. 7 — Hand-Held Grabber Enclosures — Style M									
Black	3.26 (82.80)	5.98 (151.89)	1.31 (33.27)	377-1554-ND	7.40	6.20	5.70	HH-3600-B	
Fig. 8 — Hand-Held Grabber Enclosures — Style N									
Black	6.69 (169.93)	5.16 (131.06)	1.38 (35.05)	377-1555-ND	8.10	6.75	6.20	HH-3610-B	
				377-1556-ND†	9.20	7.70	7.10	HH-3610-BCB	
Accessories for Hand-Held Grabber Enclosures									
Tilt Stand for HH-3420				377-1171-ND	.90	.75	.70	HH-3440-TS	
Gasket for HH-3420				377-1172-ND	1.00	.85	.80	HH-3441-G	
Fig. 9 — Utility Cabinets									
Natural	5.00 (127)	6.00 (152.40)	4.00 (101.60)	377-1056-ND	14.10	11.75	10.75	AU-1029	
	6.00 (152.40)	6.00 (152.40)	6.00 (152.40)	377-1057-ND	20.60	17.20	15.75	AU-1039	
	9.00 (228.60)	6.00 (152.40)	5.00 (127)	377-1058-ND	22.40	18.70	17.25	AU-1040	
Metallic Gray	6.00 (152.40)	6.00 (152.40)	6.00 (152.40)	377-1059-ND	33.00	27.50	25.00	CU-1098	
	9.00 (228.60)	6.00 (152.40)	5.00 (127)	377-1060-ND	37.30	31.10	28.75	CU-1099	
	12.00 (304.80)	7.00 (177.80)	6.00 (152.40)	377-1061-ND	58.50	48.85	45.00	CU-1124	
	4.00 (101.60)	5.00 (127)	3.00 (76.20)	377-1062-ND	18.20	15.25	14.00	CU-728	
	5.00 (127)	6.00 (152.40)	4.00 (101.60)	377-1063-ND	22.40	18.65	17.25	CU-729	
	10.00 (254)	8.00 (203.20)	7.00 (177.80)	377-1064-ND	56.40	47.10	43.75	CU-879	
	15.00 (381)	9.00 (228.60)	7.00 (177.80)	377-1065-ND	80.10	66.95	61.50	CU-882	
	Fig. 10 — ABS Plastic Utiliboxes								
	Black	5.30 (134.62)	2.94 (74.68)	1.95 (49.53)	377-1165-ND	3.00	2.50	2.25	CU-1874-B
	Gray	5.30 (134.62)	2.94 (74.68)	1.95 (49.53)	377-1166-ND	3.00	2.50	2.25	CU-1874-G
Black	4.10 (104.14)	2.23 (57.40)	2.00 (50.80)	377-1167-ND	4.30	3.57	3.25	CU-793	
	5.59 (141.99)	4.34 (110.27)	1.84 (46.77)	377-1168-ND	7.20	6.00	5.50	CU-387	
	4.31 (109.47)	3.06 (77.72)	1.46 (37.08)	377-1169-ND	5.80	4.85	4.50	CU-388	
	4.60 (116.84)	3.10 (78.74)	1.87 (47.50)	377-1216-ND	7.20	6.00	5.50	CU-3281	
	4.60 (116.84)	4.60 (116.84)	2.37 (60.20)	377-1217-ND	8.00	6.69	6.10	CU-3282	
	6.10 (154.94)	4.60 (116.84)	2.37 (60.20)	377-1218-ND	9.20	7.70	7.10	CU-3283	
	7.60 (193.04)	4.60 (116.84)	2.37 (60.20)	377-1219-ND	11.10	9.27	8.50	CU-3284	
	5.07 (128.78)	3.57 (90.68)	1.59 (40.39)	377-1220-ND	6.70	5.60	5.10	CU-389	
	6.10 (154.94)	4.60 (116.84)	1.37 (34.80)	377-1536-ND	10.00	8.35	7.75	CU-3287	
	6.10 (154.94)	4.60 (116.84)	1.37 (34.80)	377-1537-ND	10.00	8.35	7.75	CU-3287-MB	
	6.10 (154.94)	4.60 (116.84)	1.37 (34.80)	377-1538-ND	10.00	8.35	7.75	CUR-3287	
	6.10 (154.94)	4.60 (116.84)	1.37 (34.80)	377-1539-ND	10.70	8.90	8.20	CUR-3287-C	
	6.10 (154.94)	4.60 (116.84)	1.37 (34.80)	377-1540-ND	10.70	8.94	8.20	CUR-3287-MB	
	6.10 (154.94)	4.60 (116.84)	1.37 (34.80)	377-1541-ND	10.00	8.32	7.75	CUR-3287-CMB	

† With Battery Compartment

(Continued)



Chassis Bottom Plates

Color	Dimensions - Inch (mm)		Digi-Key Part No.	Price Each			Bud Ind. Part No.
	Fits Width	Chassis Length		1	10	100	
Natural	4.00 (101.60)	6.00 (152.40)	377-1035-ND	5.00	4.17	3.75	BPA-1505
	6.00 (152.40)	8.00 (203.20)	377-1036-ND	7.10	5.85	5.28	BPA-1513
	8.00 (203.20)	10.00 (254)	377-1037-ND	8.80	7.34	6.60	BPA-1518
	8.00 (203.20)	12.00 (304.80)	377-1038-ND	10.70	8.97	8.08	BPA-1519
	8.00 (203.20)	17.00 (431.80)	377-1039-ND	11.00	9.22	8.28	BPA-1520
	10.00 (254)	12.00 (304.80)	377-1040-ND	10.70	8.97	8.08	BPA-1523
	10.00 (254)	14.00 (355.60)	377-1041-ND	10.70	8.97	8.08	BPA-1524
	12.00 (304.80)	17.00 (431.80)	377-1042-ND	15.30	12.79	11.53	BPA-1528
	14.00 (355.60)	17.00 (431.80)	377-1043-ND	16.20	13.52	12.15	BPA-1529
	15.00 (381)	17.00 (431.80)	377-1044-ND	20.30	16.94	15.26	BPA-1530
	17.00 (431.80)	17.00 (431.80)	377-1045-ND	24.70	20.61	18.56	BPA-1531
	5.00 (127)	7.00 (177.80)	377-1046-ND	4.90	4.07	3.65	BPA-1589
	5.00 (127)	9.50 (241.30)	377-1047-ND	5.00			

Fig. 11 — Die Cast Econobox with or without Mounting Flanges

- ADC-10 aluminum alloy
- Heavy duty .09" thick external wall mounting bracket
- Mounts to wall or panel with #10 size screws (not included)

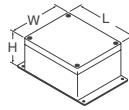


Fig. 12 — Extruded Aluminum Boxes

- One piece extruded aluminum housing
- Individual aluminum end panels
- ABS plastic panel bezels
- Internal PCB card guides

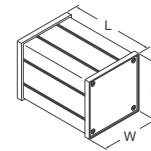
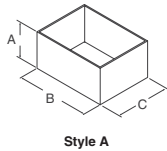
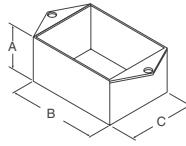


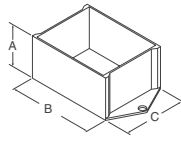
Fig. 13 — Potting Boxes



Style A



Style B

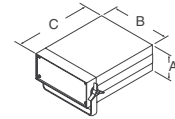


Style C

- ABS thermoplastic • UL94V-0 flammability rating • Suggested service temperature -20°C - 70°C • Optional close-fitting covers available in all sizes

Fig. 14 — TR Series Cabinets

- Top and bottom .05" aluminum; front panel .09" aluminum
- Extruded aluminum frame
- Corner gussets for added support
- Carrying handle may be used as tilting bail
- Front panel, self-adhesive rubber feet and handle/bail included
- Royal blue texture body with white frame and bail



Econoboxes

Finish	Dimensions - Inch (mm)			Digi-Key Part No.	Price Each			Bud Ind. Part No.
	L	W	H		1	10	100	
Fig. 11 — Econobox Enclosures								
Natural	3.62 (91.95)	1.50 (38.10)	1.21 (30.73)	377-1107-ND	6.90	5.75	5.20	CU-123
	4.37 (117.80)	2.37 (60.198)	1.21 (30.73)	377-1108-ND	7.20	6.05	5.45	CU-124
	4.68 (118.87)	3.68 (93.47)	2.21 (56.13)	377-1109-ND	11.60	9.65	8.70	CU-234
	7.39 (187.81)	4.70 (119.38)	2.21 (56.13)	377-1110-ND	19.60	16.35	14.70	CU-247
	7.39 (187.71)	4.70 (119.38)	3.21 (81.53)	377-1111-ND	23.00	19.20	17.30	CU-347
	Fig. 11 — Econoboxes with Mounting Flanges							
Natural	3.62 (91.95)	1.50 (38.10)	1.21 (30.73)	377-1462-ND	13.10	10.94	9.86	CU-4123
Black	3.62 (91.95)	1.50 (38.10)	1.21 (30.73)	377-1463-ND	15.06	12.53	11.25	CU-4123-B
Natural	4.37 (111.00)	2.37 (60.20)	1.21 (30.73)	377-1464-ND	16.70	13.92	12.53	CU-4124
Black	4.37 (111.00)	2.37 (60.20)	1.21 (30.73)	377-1465-ND	18.10	15.07	13.55	CU-4124-B
Natural	4.68 (118.87)	3.68 (93.47)	2.21 (56.13)	377-1466-ND	22.00	18.34	16.50	CU-4234
Black	4.68 (118.87)	3.68 (93.47)	2.21 (56.13)	377-1467-ND	24.50	20.40	18.38	CU-4234-B
Natural	7.39 (187.71)	4.70 (119.38)	2.21 (56.13)	377-1468-ND	29.30	24.44	21.98	CU-4247
Black	7.39 (187.71)	4.70 (119.38)	2.21 (56.13)	377-1469-ND	33.80	28.17	25.39	CU-4247-B
Natural	7.39 (187.71)	4.70 (119.38)	3.21 (81.53)	377-1470-ND	34.30	28.61	25.76	CU-4347
Black	7.39 (187.71)	4.70 (119.38)	3.21 (81.53)	377-1471-ND	38.80	32.34	29.10	CU-4347-B
Natural	2.00 (50.8)	2.00 (50.8)	1.25 (31.75)	377-1472-ND	12.50	10.42	9.41	CU-4470
Black	2.00 (50.8)	2.00 (50.8)	1.25 (31.75)	377-1473-ND	13.50	11.28	10.13	CU-4470-B
Natural	4.33 (109.98)	3.25 (82.55)	1.75 (44.45)	377-1474-ND	18.60	15.50	13.99	CU-4471
Black	4.33 (109.98)	3.25 (82.55)	1.75 (44.45)	377-1475-ND	20.90	17.42	15.71	CU-4471-B
Natural	4.75 (120.65)	3.15 (80.01)	2.33 (59.18)	377-1476-ND	21.60	18.00	16.24	CU-4472
Black	4.75 (120.65)	3.15 (80.01)	2.33 (59.18)	377-1477-ND	24.50	20.40	18.38	CU-4472-B
Natural	4.68 (118.87)	3.68 (93.47)	1.34 (34.04)	377-1478-ND	20.40	16.98	15.27	CU-4473
Black	4.68 (118.87)	3.68 (93.47)	1.34 (34.04)	377-1479-ND	22.90	19.11	17.21	CU-4473-B
Natural	4.75 (120.65)	4.75 (120.65)	2.33 (59.18)	377-1480-ND	26.70	22.28	20.06	CU-4474
Black	4.75 (120.65)	4.75 (120.65)	2.33 (59.18)	377-1481-ND	30.40	25.34	22.80	CU-4474-B
Natural	4.75 (120.65)	4.75 (120.65)	3.75 (95.25)	377-1482-ND	30.80	25.69	23.10	CU-4475
Black	4.75 (120.65)	4.75 (120.65)	3.75 (95.25)	377-1483-ND	34.50	28.75	25.91	CU-4475-B
Natural	6.00 (152.4)	3.25 (82.55)	2.00 (50.8)	377-1484-ND	25.80	21.50	19.35	CU-4476
Black	6.00 (152.4)	3.25 (82.55)	2.00 (50.8)	377-1485-ND	28.70	23.90	21.50	CU-4476-B
Natural	7.39 (187.71)	4.70 (119.38)	1.50 (38.1)	377-1486-ND	26.90	22.42	20.21	CU-4477
Black	7.39 (187.71)	4.70 (119.38)	1.50 (38.1)	377-1487-ND	31.40	26.15	23.55	CU-4477-B
Natural	7.50 (190.5)	7.50 (190.5)	2.62 (66.55)	377-1488-ND	42.70	35.61	32.06	CU-4478
Black	7.50 (190.5)	7.50 (190.5)	2.62 (66.55)	377-1489-ND	48.30	40.28	36.23	CU-4478-B
Natural	4.37 (111.00)	2.37 (60.20)	2.13 (54.10)	377-1490-ND	19.90	16.61	14.96	CU-4479
Black	4.37 (111.00)	2.37 (60.20)	2.13 (54.10)	377-1491-ND	21.30	17.75	15.98	CU-4479-B

Extruded Aluminum Boxes

L	Dimensions - Inch (mm)		Digi-Key Part No.	Price Each			Bud Ind. Part No.
	W	H		1	10	100	
Fig. 12 — Extruded Aluminum Boxes							
3.81 (96.77)	3.14 (79.76)	1.57 (39.88)	377-1492-ND	13.00	10.85	9.75	EX-4500
5.38 (136.65)	3.14 (79.76)	1.57 (39.88)	377-1493-ND	16.50	13.75	12.40	EX-4501
6.96 (176.78)	3.14 (79.76)	1.57 (39.88)	377-1494-ND	20.00	16.65	15.00	EX-4502
6.14 (155.96)	5.38 (136.65)	3.18 (80.77)	377-1495-ND	25.00	20.85	18.75	EX-4521
6.96 (176.78)	6.14 (155.96)	3.18 (80.77)	377-1496-ND	30.50	25.40	22.85	EX-4522
9.32 (236.73)	6.14 (155.96)	3.18 (80.77)	377-1497-ND	38.50	32.10	28.90	EX-4523
5.38 (136.65)	3.82 (97.03)	3.82 (97.03)	377-1498-ND	20.50	17.10	15.40	EX-4541
6.96 (176.78)	3.82 (97.03)	3.82 (97.03)	377-1499-ND	25.50	21.25	19.15	EX-4542
9.32 (236.73)	3.82 (97.03)	3.82 (97.03)	377-1500-ND	31.50	26.25	23.65	EX-4543

Style	Color	Dimensions - Inch (mm)			Digi-Key Part No.	Price Each		Bud Ind. Part No.
		A	B	C		1	10	
Fig. 13 — Potting Boxes								
A	Black	1.00 (25.4)	2.00 (50.8)	1.50 (38.1)	377-1173-ND	1.22	1.02	PB-1558
		1.50 (38.1)	3.00 (76.2)	2.00 (50.8)	377-1176-ND	1.77	1.48	PB-1559
		.75 (19.05)	1.00 (25.4)	1.00 (25.4)	377-1180-ND	.71	.59	PB-1577
B	Black	1.00 (25.4)	2.00 (50.8)	1.50 (38.1)	377-1175-ND	1.33	1.11	PB-1558-TF
		1.50 (38.1)	3.00 (76.2)	2.00 (50.8)	377-1178-ND	1.91	1.60	PB-1559-TF
		1.50 (38.1)	3.00 (76.2)	3.00 (76.2)	377-1179-ND	1.92	1.61	PB-1576-TF
C	Black	1.00 (25.4)	2.00 (50.8)	1.50 (38.1)	377-1174-ND	1.33	1.11	PB-1558-BF
		1.50 (38.1)	3.00 (76.2)	2.00 (50.8)	377-1177-ND	1.91	1.60	PB-1559-BF
Optional Close-Fitting Covers								
Cover for PB-1558-BF					377-1181-ND	.70	.59	PBC-1558-C
Cover for PB-1558/1558-TF					377-1182-ND	.70	.59	PBC-1558-CN
Cover for PB-1559-BF					377-1183-ND	.82	.69	PBC-1559-C
Cover for PB-1559/1559-TF					377-1184-ND	.80	.67	PBC-1575-C
Cover for PB-1576-TF					377-1185-ND	1.04	.87	PBC-1576-C
Cover for PB-1577					377-1186-ND	.42	.36	PBC-1577-C

Small Cabinets

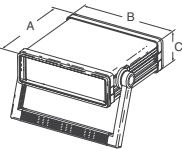
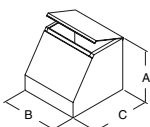
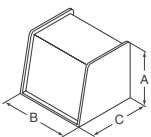
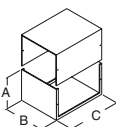
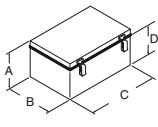
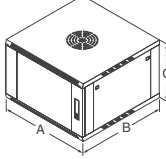
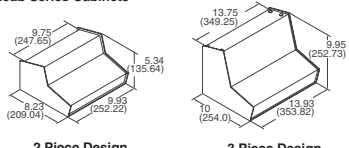
Color	Dimensions - Inch (mm)			Digi-Key Part No.	Price Each		Bud Ind. Part No.
	A	B	C		1	5	
Fig. 14 — TR Series							
Blue/White	3.50 (88.9)	8.31 (211.07)	10.75 (273.05)	377-1312-ND	261.70	218.53	—
	5.25 (133.35)	8.31 (211.07)	13.25 (336.55)	377-1313-ND	280.20	233.94	—
	7.00 (177.8)	11.06 (280.9)	13.25 (336.55)	377-1055-ND	320.80	267.83	—
Fig. 15 — Aluminum Instrument Cases							
Natural	12.93 (328.42)	8.27 (210.06)	2.72 (69.09)	377-1561-ND	108.20	—	90.35
	12.93 (328.42)	10.16 (258.06)	2.72 (69.09)	377-1562-ND	125.90	—	105.15
	12.93 (328.42)	8.27 (210.06)	4.92 (124.97)	377-1563-ND	133.50	—	111.45
	12.93 (328.42)	10.16 (258.06)	4.02 (102.11)	377-1564-ND	147.80	—	123.40
Fig. 16 — Sloping Panel Cabinets							
Metallic Gray	6.50 (165.1)	7.06 (179.3)	7.31 (185.7)	377-1066-ND	63.00	—	52.70
	6.50 (165.1)	9.06 (230.1)	7.31 (185.7)	377-1067-ND	60.70	—	50.65
	6.50 (165.1)	11.06 (280.9)	7.31 (185.7)	377-1068-ND	71.25	—	59.40
	8.00 (203.2)	10.06 (255.5)	8.00 (203.2)	377-1069-ND	76.20	—	63.60
	8.00 (203.2)	13.06 (331.7)	8.50 (215.9)	377-1070-ND	101.50	—	84.80
	10.00 (254)	18.06 (458.37)	10.50 (266.7)	377-1071-ND	149.90	—	125.10
Natural	8.00 (203.2)	14.06 (357.1)	8.00 (203.2)	377-1072-ND	92.60	—	77.35
	9.00 (228.6)	18.06 (458.7)	8.18 (207.78)	377-1073-ND	128.90	—	107.65
	10.00 (254)	18.06 (458.7)	8.18 (207.78)	377-1074-ND*	42.90	35.80	—
Black/White	3.25 (82.55)	11.93 (303.02)	10.00 (254)	377-1075-ND	77.10	64.40	—
Fig. 17 — Slope Enclosures, Solid Top (.09" Base, .05" Cover with Rubber Feet)							
Gray	1.62 (41.15)	2.12 (53.85)	2.75 (69.85)	377-1076-ND	6.45	—	5.30
	1.62 (41.15)	2.12 (53.85)	3.25 (82.55)	377-1077-ND	7.00	—	5.82
	1.62 (41.15)	2.12 (53.85)	4.00 (101.6)	377-1078-ND	7.30	—	6.07
	2.25 (57.15)	2.25 (57.15)	4.00 (101.6)	377-1079-ND	7.50	—	6.27
	3.00 (76.2)	4.00 (101.6)	5.00 (127)	377-1080-ND	11.10	—	9.27
	2.12 (53.85)	3.00 (76.2)	5.25 (133.35)	377-1081-ND	9.80	—	8.08
Natural	4.00 (101.6)	5.00 (127)	6.00 (152.4)	377-1082-ND	17.00	—	14.26
	3.00 (76.2)	5.00 (127)	7.00 (177.8)	377-1083-ND	16.40	—	13.72
	3.50 (88.9)	6.00 (152.4)	8.00 (203.2)	377-1084-ND	25.60	—	21.40
	3.50 (88.9)	6.00 (152.4)	10.00 (254)	377-1085-ND	27.20	—	22.70
	4.00 (101.6)	7.00 (177.8)	12.00 (304.8)	377-1086-ND	36.00	—	30.10
	1.62 (41.15)	2.12 (53.85)	2.75 (69.85)	377-1087-ND	4.60	—	3.85
1.62 (41.15)	2.12 (53.85)	3.25 (82.55)	377-1088-ND	5.25	—	4.35	

* Single knockout only — centered

(Continued)

More Product Available Online: www.digkey.com

Toll-Free: 1-800-344-4539 • Phone 218-681-6674 • Fax: 218-681-3380

<p>Fig. 15 — Aluminum Instrument Case</p> <ul style="list-style-type: none"> • Aluminum body with plastic front and rear bezels • Removable front and rear panels • Adjustable locking aluminum/plastic handle • Extruded internal grooves for horizontal mounting of circuit board, chassis or panel 	<p>Fig. 16 — Sloping Panel Cabinets</p> <ul style="list-style-type: none"> • Steel • Removable front panel • Hinged top opens completely for access to components mounted on chassis 	<p>Fig. 17 — Slope Enclosure</p> 	<p>Fig. 18 — Mini Boxes</p> <ul style="list-style-type: none"> • .04" aluminum alloy • Two sections slip together and may be joined by either built-in snap lock or sheet metal screws (included) 
<p>Fig. 19 — Gasketed Enclosures</p> <p>Meets NEMA 1, 2, 4, 4X, 12 and 13 Ratings.</p> <p>Indoor Version: • ABS/PC blended plastic with UL94-5VB flammability rating</p> <p>• Clear doors polycarbonate with UL94V-0 flammability rating</p> <p>• Suggested service temperature -40°C - 70°C</p> 	<p>Fig. 20 — VisionCab Cabinets</p> <ul style="list-style-type: none"> • Versatile steel cabinet • EIA spacing • Supplied with see-thru removable front door with clear acrylic window • Equipped with 110VAC, 105CFM exhaust fan for cooling 	<p>Fig. 21 — Small Compucab Series Cabinets</p> <ul style="list-style-type: none"> • Dual-slope keyboard styling • Base and side .09" aluminum; back panel and cover .05" aluminum • Rubber feet included  <p>2 Piece Design 3 Piece Design</p>	

Color	Dimensions - Inch (mm)			Digi-Key Part No.	Price Each			Bud Ind. Part No.
	A	B	C		1	5	10	
Natural	1.62 (41.15)	2.12 (53.85)	4.00 (101.6)	377-1089-ND	5.70	—	4.75	CU-3002-A
	2.25 (57.15)	2.25 (57.15)	4.00 (101.6)	377-1090-ND	6.10	—	5.05	CU-3003-A
	2.25 (57.15)	2.25 (57.15)	5.00 (127)	377-1091-ND	7.30	—	6.10	CU-3004-A
	3.00 (76.2)	4.00 (101.6)	5.00 (127)	377-1092-ND	9.20	—	7.65	CU-3005-A
	2.12 (53.85)	3.00 (76.2)	5.25 (133.35)	377-1093-ND	7.40	—	6.10	CU-3006-A
	4.00 (101.6)	5.00 (127)	6.00 (152.4)	377-1094-ND	13.20	—	11.05	CU-3007-A
	3.00 (76.2)	5.00 (127)	7.00 (177.8)	377-1095-ND	11.90	—	9.95	CU-3008-A
	3.50 (88.9)	6.00 (152.4)	8.00 (203.2)	377-1096-ND	15.50	—	12.95	CU-3009-A
	3.50 (88.9)	6.00 (152.4)	10.00 (254)	377-1097-ND	19.60	—	16.35	CU-3010-A
	4.00 (101.6)	7.00 (177.8)	12.00 (304.8)	377-1098-ND	27.30	—	22.80	CU-3011-A

* Single knockout only — centered

UL/NEMA/IEC Gasketed Enclosures

Color	Dimensions - Inch (mm)				Digi-Key Part No.	Price Each			Bud Ind. Part No.
	A	B	C	D		1	5	15	
Fig. 19 — NBA Series - Stainless Steel Hinges									
7.09 (180.09)	11.80 (299.72)	7.85 (199.39)	5.90 (149.86)	377-1138-ND†	67.30	56.07	50.45	NBA-10144	
7.09 (180.09)	15.75 (400.05)	11.80 (299.72)	5.90 (149.86)	377-1139-ND†	99.20	82.67	74.43	NBA-10148	
5.97 (151.64)	11.80 (299.72)	7.85 (199.39)	4.80 (121.92)	377-1140-ND§	63.90	53.25	47.96	NBA-10162	
Fig. 19 — NBB Series - Plastic Hinges									
3.57 (90.68)	5.90 (149.86)	5.90 (149.86)	2.75 (69.85)	377-1141-ND†	20.20	16.85	15.15	NBB-10240	
5.50 (141.35)	11.28 (286.512)	7.47 (189.79)	4.33 (109.98)	377-1142-ND†	44.00	36.65	32.98	NBB-10243	
7.04 (178.82)	13.00 (330.2)	13.00 (330.2)	5.86 (148.84)	377-1143-ND†	60.80	50.67	45.63	NBB-10245	
6.30 (160.02)	15.68 (398.27)	11.73 (297.94)	5.11 (129.79)	377-1144-ND†	58.40	48.65	43.80	NBB-10247	
3.57 (90.68)	5.90 (149.86)	5.90 (149.86)	2.75 (69.85)	377-1245-ND§	23.20	19.32	17.38	NBB-10260	
3.57 (90.68)	5.90 (149.86)	5.90 (149.86)	2.75 (69.85)	377-1246-ND†	23.40	19.52	17.58	NBB-15240	
Fig. 19 — NBD Series - Non-Metallic Phillips Drive Fasteners									
5.03 (127.76)	7.48 (189.99)	11.02 (279.91)	3.85 (97.79)	377-1145-ND†	44.70	37.25	33.53	NBD-10442	
Fig. 19 — NBE Series - Plastic Hinges / Aluminum Swing-out Panel									
5.50 (141.35)	7.47 (189.79)	11.28 (286.512)	4.33 (109.98)	377-1146-ND§	82.70	69.06	62.13	NBE-10563	
6.30 (160.02)	11.73 (297.94)	15.68 (398.27)	5.11 (129.79)	377-1147-ND§	108.30	90.45	81.41	NBE-10567	
7.85 (199.39)	14.64 (371.86)	19.17 (486.92)	6.67 (169.42)	377-1148-ND§	163.90	136.87	123.17	NBE-10573	

† Solid doors § Clear doors

VisionCab Cabinets

Color	Dimensions - Inch (mm)			Panel Space Height - In. (mm)	Digi-Key Part No.	Price Each		Bud Ind. Part No.
	A	B	C			1	10	
Fig. 20 — Black								
23.62 (599.95)	23.62 (599.95)	15.29 (388.37)	10.50 (266.70)	377-1581-ND	293.40	220.05	VC-9930	
23.62 (599.95)	23.62 (599.95)	20.54 (521.72)	15.75 (400.05)	377-1582-ND	337.80	253.35	VC-9931	
23.62 (599.95)	23.62 (599.95)	25.79 (655.07)	21.00 (533.40)	377-1583-ND	404.50	303.36	VC-9932	
23.62 (599.95)	23.62 (599.95)	31.04 (788.42)	26.25 (666.75)	377-1584-ND	488.90	366.66	VC-9933	
23.62 (599.95)	23.62 (599.95)	36.29 (921.77)	31.50 (800.10)	377-1585-ND	546.70	410.00	VC-9934	

Small Cabinets

Description	Digi-Key Part No.	1	5	15	Bud Ind. Part No.
Fig. 21 — Compucab Series - Small Metal Enclosures					
2 Piece Design	377-1296-ND	83.00	69.30	62.35	SC-13100
3 Piece Design	377-1297-ND	161.60	134.90	121.41	SC-13101

Color	Dimensions - Inch (mm)			Digi-Key Part No.	Price Each			Bud Ind. Part No.
	A	B	C		1	5	10	
Fig. 22 — Champion Series Cabinets								
Black	6.00 (152.4)	12.00 (304.8)	10.00 (254)	377-1210-ND	89.30	—	74.52	CS-11212-BT
	8.00 (203.2)	9.00 (228.6)	8.00 (203.2)	377-1211-ND	87.00	—	72.58	CS-11214-BT
	8.00 (203.2)	12.00 (304.8)	10.00 (254)	377-1212-ND	97.80	—	81.62	CS-11216-BT

Color	Dimensions - Inch (mm)			Digi-Key Part No.	Price Each			Bud Ind. Part No.
	A	B	C		1	5	10	
Fig. 23 — Portacab Cabinets								
Gray	8.00 (203.2)	6.12 (155.45)	8.00 (203.2)	377-1315-ND	107.70	89.85	—	WA-1540
	9.00 (228.6)	8.12 (206.25)	12.00 (304.8)	377-1316-ND	148.70	124.15	—	WA-1541
	8.00 (203.2)	10.12 (257.05)	8.00 (203.2)	377-1317-ND	126.50	105.70	—	WA-1542
	11.00 (279.4)	11.12 (282.45)	18.00 (457.2)	377-1318-ND	202.80	169.37	—	WA-1543

Color	Dimensions - Inch (mm)			Digi-Key Part No.	Price Each			Bud Ind. Part No.
	A	B	C		1	5	10	
Fig. 24 — Converta Boxes								
Natural	2.00 (50.8)	8.00 (203.2)	4.00 (101.6)	377-1221-ND	17.30	—	14.45	CU-482-A
	2.50 (63.5)	9.50 (241.3)	5.00 (127)	377-1222-ND	19.80	—	16.55	CU-592-A
	2.50 (63.5)	12.00 (304.8)	6.00 (152.4)	377-1223-ND	26.00	—	21.75	CU-622-A

Style	Color	Dimensions - Inch (mm)			Digi-Key Part No.	Price Each		Bud Ind. Part No.
		A	B	C		1	10	
Fig. 25 — Plasticases								
1	Gray	1.53 (38.86)	5.08 (129.03)	5.30 (134.62)	377-1149-ND	14.60	12.19	PC-11402
		2.52 (64.01)	8.10 (205.74)	6.32 (160.53)	377-1150-ND	22.40	18.67	PC-11408
		2.56 (65.02)	10.24 (260.10)	7.09 (180.09)	377-1156-ND	32.80	27.35	PC-11482-A
2	Black	4.02 (102.11)	9.72 (246.89)	8.66 (219.96)	377-1155-ND	109.40	91.30	PC-11438
		3.30 (83.82)	6.12 (155.49)	6.32 (160.53)	377-1151-ND	23.10	19.25	PC-11410
		3.30 (83.82)	8.10 (205.74)	6.32 (160.53)	377-1152-ND	26.70	22.31	PC-11412
H	Black	4.04 (102.62)	6.12 (155.49)	6.32 (160.53)	377-1153-ND	24.30	20.29	PC-11414
		4.04 (102.62)	8.10 (205.74)	6.32 (160.53)	377-1154-ND	28.40	23.73	PC-11416
		9.18 (233.17)	5.25 (133.35)	1.68 (42.67)	377-1570-ND	13.30	11.10	PC-11640
		9.18 (233.17)	5.25 (133.35)	2.36 (59.94)	377-1571-ND	13.70	11.45	PC-11645

Fig. 26 — Accessories					
Battery Clip, 1 - 9V Cell	377-1549-ND	1.20	1.00	HH-3449	
Battery Holder, 2-AAA Cells	377-1557-ND	1.70	1.42	HH-3630	
Battery Holder, 4-AAA Cells	377-1558-ND	2.90	2.42	HH-3631	
Battery Holder, 2-AA Cells	377-1559-ND	1.70	1.42	HH-3632	
Battery Holder, 4-AA Cells	377-1560-ND	2.90	2.42	HH-3633	

(Continued)

More Product Available Online: www.digkey.com

Fig. 22 — Champion Cabinets

- No screws on front or rear panel • Ventilation slots in bottom and rear panel • Black top and bottom; white front and rear • .05" aluminum • Four adhesive rubber feet included

Fig. 23 — Portacab Cabinets

- Designed for bench or portable use • Louvered sides • .05" aluminum • Metallic gray • Handle capacity 25 pounds • Four plastic feet included

Fig. 24 — Converta Boxes

- Welded base and two-sided cover • .05" aluminum • Natural finish

Fig. 25 — Plasticases

PC-11402 — PC-11416: • Impact resistant polystyrene • UL94-HB flammability rating • Molded-in card guides and mounting bosses • Double-textured PC bone gray **PC-11438:** • Black ABS covers • UL94-HB flammability rating • Clear anodized aluminum front and rear panels • Internal steel channels provide extra strength and ease of assembly • Formed guide tabs accept vertical or horizontal circuit boards **PC-11482-A:** • Dark gray ABS covers with natural finish aluminum end panels • UL94V-0 flammability rating • Suggested service temperature -40°C — 80°C **PC-11640 — PC-11645:** • Flame retardant black ABS plastic • UL94V-0 flammability rating

Style 1 **Style 2** **Style H**

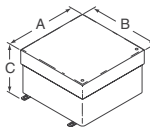
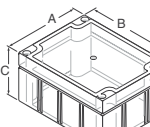
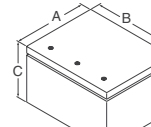
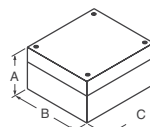
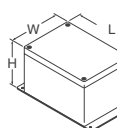
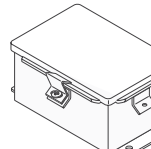
Fig. 26 — Accessories

NEMA Enclosures — Sealed Polycarbonate and ABS

Dimensions - Inch (mm)				Digi-Key Part No.	Price Each			Bud Ind. Part No.
A	B	C	D		1	10	100	
Fig. 27 — Fiberglass NEMA Boxes								
7.74 (196.60)	4.50 (114.30)	7.74 (196.60)	—	377-1565-ND	39.70	33.10	29.80	NF-6610
7.76 (197.10)	4.50 (114.30)	9.64 (244.86)	—	377-1566-ND	41.60	34.65	31.20	NF-6611
9.90 (251.46)	6.50 (165.10)	11.78 (299.21)	—	377-1567-ND	46.10	38.40	34.56	NF-6612
11.90 (302.26)	6.50 (165.10)	13.78 (350.01)	—	377-1568-ND	55.70	46.40	41.75	NF-6613
13.89 (352.81)	6.50 (165.10)	15.79 (401.07)	—	377-1569-ND	62.40	52.00	46.80	NF-6614
Fig. 28 — Blue Transparent NEMA Boxes								
3.54 (89.92)	4.53 (115.06)	2.17 (55.12)	—	377-1542-ND	14.60	12.20	11.00	BT-2723
4.76 (120.90)	6.73 (170.94)	2.17 (55.12)	—	377-1543-ND	21.30	17.80	16.00	BT-2724
5.75 (146.05)	8.74 (222.00)	2.17 (55.12)	—	377-1544-ND	28.10	23.45	21.10	BT-2725
4.76 (120.90)	6.73 (170.94)	3.15 (80.01)	—	377-1545-ND	24.90	20.80	18.70	BT-2727
4.72 (119.89)	7.87 (199.90)	2.95 (74.93)	—	377-1546-ND	24.30	20.30	18.25	BT-2734
6.30 (160.02)	9.45 (240.03)	3.54 (89.92)	—	377-1547-ND	34.10	28.45	25.61	BT-2740
9.06 (230.12)	11.81 (299.97)	3.39 (86.11)	—	377-1548-ND	79.00	65.95	59.35	BT-2742
Fig. 29 — Sheet Metal NEMA Boxes								
5.91 (150.11)	7.87 (199.90)	9.84 (249.94)	—	377-1573-ND	49.60	41.35	37.20	SNB-3730
5.91 (150.11)	9.84 (249.94)	11.81 (299.97)	—	377-1574-ND	55.10	45.90	41.30	SNB-3731
7.87 (199.90)	9.84 (249.94)	11.81 (299.97)	—	377-1575-ND	58.00	48.35	43.50	SNB-3732
5.91 (150.11)	11.81 (299.97)	11.81 (299.97)	—	377-1576-ND	60.60	50.50	45.45	SNB-3733
7.87 (199.90)	11.81 (299.97)	11.81 (299.97)	—	377-1577-ND	65.40	54.50	49.05	SNB-3734
5.91 (150.11)	11.81 (299.97)	15.75 (400.05)	—	377-1578-ND	68.60	57.15	51.45	SNB-3735
7.87 (199.90)	11.81 (299.97)	15.75 (400.05)	—	377-1579-ND	72.80	60.65	54.60	SNB-3736
7.87 (199.90)	15.75 (400.05)	15.75 (400.05)	—	377-1580-ND	86.20	71.85	64.65	SNB-3737
Fig. 30 — Plastic NEMA Enclosures — Style 1								
1.38 (35.05)	2.56 (65.02)	2.28 (57.91)	0.99 (25.146)	377-1112-ND	7.40	6.15	5.55	PN-1320
1.57 (39.88)	4.53 (115.06)	2.56 (65.02)	0.99 (25.146)	377-1114-ND	10.80	9.02	8.13	PN-1321
2.17 (55.12)	4.53 (115.06)	2.56 (65.02)	1.58 (40.13)	377-1116-ND	11.70	9.75	8.81	PN-1322
2.17 (55.12)	4.53 (115.06)	3.54 (89.92)	1.58 (40.13)	377-1119-ND	13.40	11.15	10.05	PN-1323
2.17 (55.12)	6.73 (170.94)	4.76 (120.90)	1.58 (40.13)	377-1122-ND	18.80	15.65	14.08	PN-1324
2.17 (55.12)	8.74 (221.99)	5.75 (146.05)	1.58 (40.13)	377-1125-ND	24.90	20.75	18.71	PN-1325
3.15 (80.01)	6.73 (170.94)	4.76 (120.90)	1.58 (40.13)	377-1127-ND	21.30	17.74	15.98	PN-1327
3.15 (80.01)	4.53 (115.06)	3.54 (89.92)	2.56 (65.02)	377-1129-ND	16.40	13.65	12.28	PN-1328
2.95 (74.93)	8.74 (221.99)	5.75 (146.05)	1.58 (40.13)	377-1131-ND	28.60	23.82	21.45	PN-1329
3.35 (85.09)	6.30 (160.02)	3.15 (80.01)	2.76 (70.10)	377-1134-ND	16.50	13.75	12.40	PN-1333
2.95 (74.93)	7.87 (199.90)	4.72 (119.89)	2.37 (60.199)	377-1136-ND	23.40	19.50	17.55	PN-1334
3.74 (94.99)	10.43 (264.93)	7.28 (184.91)	2.95 (74.93)	377-1258-ND	38.40	32.15	26.90	PN-1335
Fig. 30 — Plastic NEMA Enclosures — Style 2								
1.57 (39.88)	4.53 (115.06)	2.56 (65.02)	0.99 (25.15)	377-1255-ND	11.10	9.27	8.33	PN-1321-C
2.17 (55.12)	4.53 (115.06)	3.54 (89.92)	1.58 (40.13)	377-1117-ND	12.00	10.00	9.00	PN-1322-C
2.17 (55.12)	4.53 (115.06)	2.56 (65.02)	1.58 (40.13)	377-1120-ND	13.90	11.59	10.43	PN-1323-C
2.17 (55.12)	6.73 (170.94)	4.76 (120.90)	1.58 (40.13)	377-1123-ND	19.40	16.15	14.53	PN-1324-C
2.95 (74.93)	8.74 (221.99)	5.75 (146.05)	1.58 (40.13)	377-1256-ND	28.60	23.82	21.45	PN-1329-C
2.17 (55.12)	6.30 (160.02)	3.15 (80.01)	1.58 (40.13)	377-1133-ND	15.70	13.10	11.80	PN-1332-C
2.95 (74.93)	7.87 (199.90)	4.72 (119.89)	2.37 (60.20)	377-1257-ND	23.70	19.75	17.80	PN-1334-C
Fig. 30 — Plastic NEMA Enclosures — Style 3								
1.38 (35.05)	2.56 (65.02)	2.28 (57.91)	0.99 (25.146)	377-1113-ND	5.90	4.90	4.40	PN-1320-DG
1.57 (39.88)	4.53 (115.06)	2.56 (65.02)	0.99 (25.146)	377-1115-ND	7.60	6.34	5.70	PN-1321-DG
2.17 (55.12)	4.53 (115.06)	2.56 (65.02)	1.58 (40.13)	377-1118-ND	8.50	7.09	6.41	PN-1322-DG
2.17 (55.12)	4.53 (115.06)	3.54 (89.92)	1.58 (40.13)	377-1121-ND	10.30	8.57	7.73	PN-1323-DG
2.17 (55.12)	6.73 (170.94)	4.76 (120.90)	1.58 (40.13)	377-1124-ND	14.90	12.44	11.18	PN-1324-DG
2.17 (55.12)	8.74 (221.99)	5.75 (146.05)	1.58 (40.13)	377-1126-ND	20.20	16.84	15.15	PN-1325-DG
3.15 (80.01)	6.73 (170.94)	4.76 (120.90)	1.58 (40.13)	377-1128-ND	14.70	12.24	11.03	PN-1327-DG
3.15 (80.01)	4.53 (115.06)	3.54 (89.92)	2.56 (65.02)	377-1130-ND	11.10	9.24	8.30	PN-1328-DG
2.95 (74.93)	8.74 (221.99)	5.75 (146.05)	1.58 (40.13)	377-1132-ND	18.00	14.99	13.50	PN-1329-DG
3.35 (85.09)	6.30 (160.02)	3.15 (80.01)	2.76 (70.10)	377-1135-ND	13.00	10.85	9.75	PN-1333-DG
2.95 (74.93)	7.87 (199.90)	4.72 (119.89)	2.37 (60.199)	377-1137-ND	17.30	14.40	12.95	PN-1334-DG
3.74 (94.99)	10.43 (264.93)	7.28 (184.91)	2.95 (74.93)	377-1259-ND	29.10	24.35	20.36	PN-1335-DG

Aluminum NEMA Boxes

Finish	Dimensions - Inch (mm)			Digi-Key Part No.	Price Each			Bud Ind. Part No.
	L	W	H		1	10	100	
Fig. 31 — NEMA Sealed Die-Cast Enclosures								
Natural	3.54 (89.92)	1.42 (36.07)	1.18 (29.97)	377-1099-ND	6.30	5.27	4.73	AN-1300
	2.52 (64.01)	2.28 (57.91)	1.38 (35.05)	377-1100-ND	6.50	5.42	4.88	AN-1301
	4.53 (115.06)	2.56 (65.02)	1.18 (29.97)	377-1101-ND	9.40	7.84	7.08	AN-1302
	4.53 (115.06)	2.56 (65.02)	2.17 (55.12)	377-1102-ND	11.40	9.52	8.55	AN-1303
	4.53 (115.06)	3.54 (89.92)	2.17 (55.12)	377-1103-ND	13.40	11.19	10.05	AN-1304
	5.83 (148.08)	4.25 (107.95)	2.95 (74.93)	377-1104-ND	24.00	20.00	18.00	AN-1305
	6.73 (170.94)	4.76 (120.90)	2.17 (55.12)	377-1105-ND	24.40	20.36	18.30	AN-1306
8.75 (222.25)	5.75 (146.05)	2.17 (55.12)	377-1106-ND	25.80	21.52	19.35	AN-1307	
Gray	4.53 (115.06)	2.56 (65.02)	1.18 (29.97)	377-1190-ND	15.20	12.67	11.43	AN-1302-G
	4.53 (115.06)	2.56 (65.02)	2.17 (55.12)	377-1191-ND	17.80	14.84	13.38	AN-1303-G
	4.53 (115.06)	3.54 (89.92)	2.17 (55.12)	377-1192-ND	21.40	17.84	16.05	AN-1304-G
	5.83 (148.08)	4.25 (107.95)	2.95 (74.93)	377-1193-ND	34.40	28.67	25.80	AN-1305-G
	6.73 (170.94)	4.76 (120.90)	2.17 (55.12)	377-1194-ND	34.80	29.02	26.10	AN-1306-G
	8.75 (222.25)	5.75 (146.05)	2.17 (55.12)	377-1195-ND	37.40	31.19	28.05	AN-1307-G
	Fig. 31 — NEMA Diecast Aluminum Boxes with Mounting Flanges							
Natural	3.54 (89.92)	1.42 (36.07)	1.18 (29.97)	377-1426-ND	14.00	11.69	10.53	AN-2800
Black	3.54 (89.92)	1.42 (36.07)	1.18 (29.97)	377-1427-ND	14.70	12.24	11.03	AN-2800-B
Natural	2.52 (64.01)	2.28 (57.91)	1.38 (35.05)	377-1428-ND	14.40	11.99	10.78	AN-2801
Black	2.52 (64.01)	2.28 (57.91)	1.38 (35.05)	377-1429-ND	15.30	12.75	11.48	AN-2801-B
Natural	4.53 (115.06)	2.56 (65.02)	1.18 (29.97)	377-1430-ND	18.00	15.00	13.50	AN-2802
Black	4.53 (115.06)	2.56 (65.02)	1.18 (29.97)	377-1431-ND	19.70	16.40	14.78	AN-2802-B
Natural	4.53 (115.06)	2.56 (65.02)	2.17 (55.12)	377-1432-ND	20.60	17.19	15.45	AN-2803
Black	4.53 (115.06)	2.56 (65.02)	2.17 (55.12)	377-1433-ND	22.20	18.50	16.65	AN-2803-B
Natural	4.53 (115.06)	3.54 (89.92)	2.17 (55.12)	377-1434-ND	22.40	18.65	16.80	AN-2804
Black	4.53 (115.06)	3.54 (89.92)	2.17 (55.12)	377-1435-ND	24.90	20.74	18.65	AN-2804-B
Natural	5.83 (148.08)	4.25 (107.95)	2.95 (74.93)	377-1436-ND	35.30	29.42	26.48	AN-2805
Black	5.83 (148.08)	4.25 (107.95)	2.95 (74.93)	377-1437-ND	39.20	32.67	29.43	AN-2805-B
Natural	6.73 (170.94)	4.76 (120.90)	2.17 (55.12)	377-1438-ND	36.40	30.34	27.33	AN-2806
Black	6.73 (170.94)	4.76 (120.90)	2.17 (55.12)	377-1439-ND	39.90	33.27	29.93	AN-2806-B
Natural	8.75 (222.25)	5.75 (146.05)	2.17 (55.12)	377-1440-ND	39.30	32.77	29.48	AN-2807
Black	8.75 (222.25)	5.75 (146.05)	2.17 (55.12)	377-1441-ND	46.30	38.57	34.70	AN-2807-B
Natural	8.75 (222.25)	5.75 (146.05)	3.25 (82.55)	377-1442-ND	44.80	37.36	33.60	AN-2808
Black	8.75 (222.25)	5.75 (146.05)	3.25 (82.55)	377-1443-ND	52.00	43.34	39.00	AN-2808-B
Natural	4.75 (120.65)	4.75 (120.65)	4.00 (101.6)	377-1444-ND	39.20	32.67	29.43	AN-2809
Black	4.75 (120.65)	4.75 (120.65)	4.00 (101.6)	377-1445-ND	42.50	35.40	31.88	AN-2809-B
Natural	6.25 (158.75)</							

<p>Fig. 27 — Fiberglass NEMA Boxes</p> <p>Meets NEMA 1, 2, 4, 4X, 12, 13 and IP66 Ratings</p> <ul style="list-style-type: none"> Fiberglass Reinforced Plastic (SMC) Provides outstanding protection against corrosion Chemical resistant and impervious to dents Stainless Steel hinge, screws, wall mounting brackets Listed and tested to UL-508-4X requirements 	<p>Fig. 28 — Blue Transparent NEMA Boxes</p> <p>Meets NEMA 1, 2, 4, 4X, 12, 13, IEC52/IP65 and UL508-4X Ratings</p> <ul style="list-style-type: none"> Transparent blue polycarbonate UV stabilized polycarbonate with UL94-V2 flammability rating 	<p>Fig. 29 — Sheet Metal NEMA Boxes</p> <p>Meets NEMA 1, 2, 4, 4X, 12, 13, IP65 and UL508-4X Ratings</p> <ul style="list-style-type: none"> Continuous seam welded 16AWG steel construction Cover closes securely with unique key provided 
<p>Fig. 30 — Plastic NEMA Enclosures</p> <p>Meets NEMA 1, 2, 4, 4X, 12 and 13 Ratings</p> <p>Style 1: Light gray polycarbonate body and cover • UV stabilized • UL94V-2 flammability rating</p> <p>Style 2: Light gray polycarbonate body and clear polycarbonate cover • UV stabilized • UL94V-2 flammability rating</p> <p>Style 3: Dark gray ABS body and cover • UL94-HB flammability rating</p> 	<p>Fig. 31 — Die Cast Aluminum NEMA Boxes with or without Mounting Flanges</p> <p>Meets NEMA 1, 2, 4, 4X, 12 and 13 Ratings</p> <ul style="list-style-type: none"> ADC-10 aluminum alloy Tested and listed to UL-508 Type 4X requirements (UL File #E194432) Heavy duty .09" thick external wall mounting bracket Mounts to wall or panel with #10 size screws (not included) 	<p>Fig. 32 — NEMA Sheet Metal Box with Mounting Flanges</p> <p>Meets NEMA 1, 2, 4, 4X, 12, 13, IP65 and UL508-4X Ratings</p> <ul style="list-style-type: none"> Durable 14 gauge steel Hinged cover 

Finish	Dimensions - Inch (mm)			Digi-Key Part No.	Price Each			Bud Ind. Part No.
	L	W	H		1	10	100	
Natural	8.75 (222.25)	5.74 (145.80)	2.25 (57.15)	377-1522-ND	26.40	22.05	19.85	CN-5711
	8.75 (222.25)	5.74 (145.80)	4.22 (107.19)	377-1523-ND	35.70	29.80	26.80	CN-5712
	9.85 (250.19)	6.89 (175.01)	4.01 (101.85)	377-1524-ND	62.60	52.25	47.05	CN-5713
	10.81 (274.57)	6.89 (175.01)	2.64 (67.06)	377-1525-ND	38.90	32.45	29.21	CN-5714
Fig. 31 — NEMA Die Cast Aluminum Boxes with Mounting Flanges								
Natural	3.52 (89.41)	1.38 (35.05)	1.22 (30.99)	377-1526-ND	7.00	5.85	5.25	CN-6702
	4.51 (114.55)	2.50 (63.50)	1.22 (30.99)	377-1527-ND	11.10	9.25	8.35	CN-6703
	4.51 (114.55)	2.50 (63.50)	2.22 (56.39)	377-1528-ND	13.10	10.95	9.85	CN-6704
	4.54 (115.32)	3.57 (90.68)	2.22 (56.39)	377-1529-ND	14.90	12.45	11.20	CN-6705
	4.73 (120.14)	3.95 (100.33)	1.44 (36.58)	377-1530-ND	14.90	12.45	11.20	CN-6706
	5.47 (138.94)	4.01 (101.85)	3.05 (77.47)	377-1531-ND	19.80	16.50	14.85	CN-6707
	6.51 (165.35)	5.01 (127.25)	3.05 (77.47)	377-1532-ND	24.80	20.70	18.65	CN-6708
	6.78 (172.21)	4.77 (121.16)	2.22 (56.39)	377-1533-ND	23.10	19.30	17.35	CN-6709
	6.78 (172.21)	4.77 (121.16)	4.21 (106.93)	377-1534-ND	27.80	23.20	20.90	CN-6710
	8.75 (222.25)	5.74 (145.80)	2.25 (57.15)	377-1535-ND	31.20	26.05	23.46	CN-6711

§ No wall mounting holes

Sheet Metal NEMA Boxes

Finish	Dimensions - Inch (mm)			Digi-Key Part No.	Price Each			Bud Ind. Part No.
	L	W	H		1	10	100	
Fig. 32 — NEMA Sheet Metal Boxes with Mounting Flanges								
Gray	6.00 (152.40)	4.00 (101.60)	3.00 (76.20)	377-1501-ND	39.90	33.38	30.11	SN-3700
	8.00 (203.20)	6.00 (152.40)	3.50 (88.90)	377-1502-ND	48.00	40.15	36.22	SN-3701
	6.00 (152.40)	6.00 (152.40)	4.00 (101.60)	377-1503-ND	44.00	36.80	33.20	SN-3702
	12.00 (304.80)	10.00 (254.00)	5.00 (127.00)	377-1504-ND	77.80	65.07	58.71	SN-3703
	10.00 (254.00)	8.00 (203.20)	6.00 (152.40)	377-1505-ND	73.70	61.64	55.61	SN-3704
	12.00 (304.80)	12.00 (304.80)	6.00 (152.40)	377-1506-ND	91.00	76.11	68.67	SN-3705
	14.00 (355.60)	12.00 (304.80)	6.00 (152.40)	377-1507-ND	99.20	82.97	74.86	SN-3706
	16.00 (406.40)	14.00 (355.60)	6.00 (152.40)	377-1508-ND	118.50	99.11	89.42	SN-3707
	14.00 (355.60)	12.00 (304.80)	8.00 (203.20)	377-1509-ND	113.00	94.51	85.27	SN-3708
	16.00 (406.40)	14.00 (355.60)	10.00 (254.00)	377-1510-ND	146.00	122.11	110.17	SN-3709

BUD'S WATERTIGHT BOXES: NEMA 4X PROTECTION AT NEMA 12 PRICES

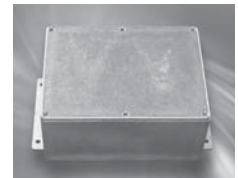
POLYCARBONATE

- Made from ABS and Polycarbonate plastics
- Designed to meet NEMA 1, 2, 4, 4x, 12, 13 and IP65 and UL508-4X ratings.
- Hundreds of sizes and styles available



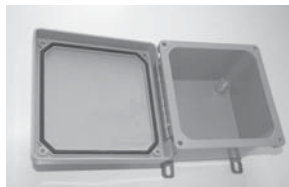
DIE CAST ALUMINUM

- Made from #ADC-12 Alloy Die Cast Aluminum
- Designed to meet NEMA 1, 2, 4, 4x, 12, 13 and IP65 ratings.
- Available with and without mounting flanges



FIBERGLASS

- Made from Fiberglass reinforced plastic (SMC)
- Designed to meet NEMA 1, 2, 4, 4x, 12, 13, IP66 and UL508-4X ratings.
- Sizes range from 7.74" x 7.74" x 4.5" to 15.79" x 13.89" x 6.5"



STEEL

- Made from 14 ga. steel.
- Designed to meet NEMA 1, 2, 4, 4x, 12, 13 and IP65 and UL508-4X ratings.
- Available in 16 sizes ranging from 6" x 4" x 3" to 16" x 14" x 10"



Modifications Available

More Product Available Online: www.digikey.com

Toll-Free: 1-800-344-4539 • Phone 218-681-6674 • Fax: 218-681-3380

<p>Fig. 1 — Aluminum Open Racks</p> <ul style="list-style-type: none"> Panel holes #12-24 tapped 1,000 pounds load capacity • Use 377-1404-ND screws 	<p>Fig. 2 — Rack Mount Chassis</p> <ul style="list-style-type: none"> Front panel .12" thick mill finish aluminum with "Surface Shield" protection Side panels are punched on a .87" grid Handles and covers sold separately 	<p>Fig. 3 — Small Rack Mount Chassis</p> <ul style="list-style-type: none"> Panels .10" thick aluminum; chassis .05" thick aluminum • Covers sold separately 	<p>Fig. 4 — ValuLine Cabinets</p> <ul style="list-style-type: none"> Side and front panels .09" aluminum; base, rear and top .05" aluminum • 25 lbs. load capacity • Rack mounting brackets and rubber feet included 	<p>Fig. 5 — Keyboard/Mouse Shelf</p> <ul style="list-style-type: none"> Fits 19" panel • Mouse pad slides underneath right or left • Takes up 2-U of panel space
<p>Fig. 6 — Sliding Drawer</p> <ul style="list-style-type: none"> Fits 19" panel • Supports heavy loads, even when fully extended 	<p>Fig. 7 — Stationary Shelves</p> <ul style="list-style-type: none"> Fits 19" wide panel spaces • Supports up to 200 pounds • Requires two pairs of panel mounting rails per cabinet 	<p>Fig. 8 — Adjustable Shelf</p> <ul style="list-style-type: none"> Fits 19" panel spaces • Adjustable for depth within rack • Supports 150 pounds 	<p>Fig. 9 — Equipment Shelves</p> <ul style="list-style-type: none"> Fits 19" panel spaces • One piece construction • Supports 150 pounds 	<p>Fig. 10 — Open Rack Shelf</p> <ul style="list-style-type: none"> Fits 19" panel spaces • Supports 200 pounds

Open Racks

Color	Dimensions - Inch (cm)		Digi-Key Part No.	Price Each		Bud Ind. Part No.
	A	Panel Space		1	5	
Fig. 1 — Aluminum Open Racks — RoHS Compliant						
Black	84.00 (213.36)	77.00 x 19.00 (195.58 x 48.26)	377-1196-ND	260.00	217.08	ARR-1272-BT
Natural	84.00 (213.36)	77.00 x 19.00 (195.58 x 48.26)	377-1197-ND	240.00	200.44	ARR-1272-NF

Rack Mount Chassis

Dimensions - Inch (mm)		Handles	Digi-Key Part No.	Price Each			Bud Ind. Part No.
A	B			1	5	10	
Fig. 2 — Rack Mount Chassis — RoHS Compliant							
5.25 (133.35)	17.06 (433.32)	H-9160-B	377-1268-ND	64.80	54.10	48.70	RM-14212
7.00 (177.8)	17.06 (433.32)	H-9111-B	377-1269-ND	74.20	61.95	55.75	RM-14213
5.25 (133.35)	22.00 (558.8)	H-9160-B	377-1392-ND	73.00	60.95	54.85	RM-14222
7.00 (177.8)	22.00 (558.8)	H-9111-B	377-1393-ND	85.60	71.50	64.35	RM-14223
8.75 (222.25)	22.00 (558.8)	H-9112-B	377-1394-ND	104.30	87.10	78.40	RM-14224
10.50 (266.7)	22.00 (558.8)	H-9113-B	377-1395-ND	124.30	103.80	93.40	RM-14225

Description	Fits Chassis	Digi-Key Part No.	Price Each		Bud Ind. Part No.
			1	10	
Rack Mount Chassis Covers — RoHS Compliant					
Solid Top or Bottom Cover	RM-14212-13	377-1310-ND	29.60	24.75	TBC-14252
Ventilated Top or Bottom Cover	377-1311-ND	33.10	27.65	TBC-14262	
Solid Top or Bottom Cover	RM-14222-25	377-1396-ND	33.60	28.10	TBC-14253
Ventilated Top or Bottom Cover	377-1397-ND	35.50	29.70	TBC-14263	

Dimensions - Inch (mm)		Fits Rack Inch (mm)	Digi-Key Part No.	Price Each		Bud Ind. Part No.
A x B x C				1	10	
Fig. 3 — Small Rack Mount Chassis — RoHS Compliant						
1.75 x 17.00 x 4.00 (44.45 x 431.8 x 101.6)	19.00 (482.6)	377-1205-ND	36.00	30.08	CH-14400	
1.75 x 17.00 x 8.00 (44.45 x 431.8 x 203.2)	19.00 (482.6)	377-1206-ND	43.50	36.34	CH-14401	
1.75 x 17.00 x 16.00 (44.45 x 431.8 x 406.4)	19.00 (482.6)	377-1207-ND	63.50	53.08	CH-14402	
3.50 x 17.00 x 8.00 (88.9 x 431.8 x 203.2)	19.00 (482.6)	377-1208-ND	61.40	51.25	CH-14403	
3.50 x 17.00 x 16.00 (88.9 x 431.8 x 203.2)	19.00 (482.6)	377-1209-ND	78.80	65.80	CH-14404	

Description	Fits Chassis	Digi-Key Part No.	Price Each		Bud Ind. Part No.
			1	10	
Small Rack Mount Chassis Covers — RoHS Compliant					
Ventilated Top or Bottom Cover	CH-14400	377-1417-ND	10.80	9.04	C-14430
Solid Top or Bottom Cover	377-1420-ND	9.10	7.59	C-14440	
Ventilated Top or Bottom Cover	CH-14401, 03	377-1418-ND	18.20	15.23	C-14431
Solid Top or Bottom Cover	377-1421-ND	14.40	12.00	C-14441	
Ventilated Top or Bottom Cover	CH-14402, 04	377-1419-ND	29.10	24.31	C-14432
Solid Top or Bottom Cover	377-1422-ND	24.50	20.46	C-14442	

Dimensions - Inch (mm)		Fits Rack Inch (mm)	Digi-Key Part No.	Price Each		Bud Ind. Part No.
A x B x C				1	5	
Fig. 4 — ValuLine Series Cabinets (with handles) — RoHS Compliant						
3.50 x 17.00 x 8.00 (88.9 x 431.8 x 203.2)	19.00 (482.6)	377-1238-ND	97.00	81.00	HC-14099	
3.50 x 17.00 x 13.00 (88.9 x 431.8 x 330.2)	19.00 (482.6)	377-1239-ND	188.90	157.70	HC-14101	

Dimensions - Inch (mm)		Fits Rack Inch (mm)	Digi-Key Part No.	Price Each		Bud Ind. Part No.
A x B x C				1	5	
Fig. 5 — Keyboard/Mouse Shelf						
5.25 x 17.00 x 13.00 (133.35 x 431.8 x 330.2)	19.00 (482.6)	377-1240-ND	194.70	162.60	HC-14103	
7.00 x 17.00 x 13.00 (177.8 x 431.8 x 330.2)	19.00 (482.6)	377-1241-ND	204.40	170.70	HC-14104	
8.75 x 17.00 x 13.00 (222.25 x 431.8 x 330.2)	19.00 (482.6)	377-1242-ND	214.20	178.85	HC-14105	
10.50 x 17.00 x 15.00 (266.7 x 431.8 x 381)	19.00 (482.6)	377-1243-ND	239.60	200.05	HC-14107	

Accessories

Color	Maximum Panel Keyboard Width - Inch (cm)	Digi-Key Part No.	Price Each		Bud Ind. Part No.
			1	10	
Fig. 6 — Sliding Drawer (inside dimensions) — RoHS Compliant					
Black	19.0 x 16.5 (48.26 x 41.91)	377-1244-ND	180.00	150.30	KS-1785-BT

Color	Dimensions - Inch (cm)			Digi-Key Part No.	Price Each		Bud Ind. Part No.
	A	B	C		1	5	
Fig. 7 — Stationary Shelves — Non Ventilated							
Black	17.90 (45.47)	26.50 (67.31)	377-1306-ND	89.30	66.90	62.50	SH-2382
	17.90 (45.47)	19.25 (48.90)	377-1188-ND	79.40	59.50	55.60	60-2380
	17.90 (45.47)	22.75 (57.79)	377-1189-ND	83.40	62.50	58.40	60-2381
	17.00 (43.18)	17.75 (45.09)	377-1416-ND	144.00	—	107.90	SH-2388

Color	Dimensions - Inch (cm)		Digi-Key Part No.	Price Each		Bud Ind. Part No.	
	Width	Depth		1	5		
Fig. 7 — Stationary Shelves - Ventilated — RoHS Compliant							
Black	17.90 (45.47)	17.75 (45.09)	377-1307-ND	83.20	62.35	58.25	SH-2384
	17.90 (45.47)	21.25 (53.98)	377-1308-ND	86.30	64.65	60.40	SH-2385
	17.90 (45.47)	26.50 (67.31)	377-1309-ND	93.50	70.05	65.45	SH-2386
	17.00 (43.18)	17.75 (45.09)	377-1415-ND	146.40	—	109.70	SH-2392

† Sliding Shelf

Color	Dimensions - Inch (cm)		Digi-Key Part No.	Price Each		Bud Ind. Part No.	
	A	B		1	50		
Fig. 8 — Adjustable Shelf-Open Rack — RoHS Compliant							
Black	17.62 (44.75)	20.00 (50.80)	377-1290-ND	108.90	90.90	81.81	SA-1279-BT

Color	Dimensions - Inch (cm)		Digi-Key Part No.	Price Each		Bud Ind. Part No.	
	A	B		1	50		
Fig. 9 — Equipment Shelves-Open Rack-Non Ventilated — RoHS Compliant							
Black	17.62 (44.75)	15.00 (38.10)	377-1291-ND	73.60	61.45	55.30	SA-1750-BT
	17.62 (44.75)	20.00 (50.80)	377-1293-ND	88.00	73.50	66.15	SA-1752-BT

Color	Dimensions - Inch (cm)		Digi-Key Part No.	Price Each		Bud Ind. Part No.	
	A	B		1	50		
Fig. 9 — Equipment Shelves-Open Rack-Ventilated — RoHS Compliant							
Black	17.62 (44.75)	15.00 (38.10)	377-1292-ND	80.40	67.15	60.45	SA-1751-BT
	17.62 (44.75)	20.00 (50.80)	377-1294-ND	95.40	79.65	71.70	SA-1753-BT

Color	Dimensions - Inch (cm)		Digi-Key Part No.	Price Each		Bud Ind. Part No.	
	A	B		1	50		
Fig. 10 — Open Rack Shelf-Non Ventilated — RoHS Compliant							
Black	17.62 (44.75)	19.00 (48.26)	377-1295-ND	92.80	77.50	69.75	SA-1765-BT

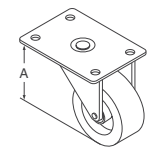
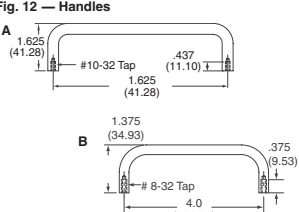
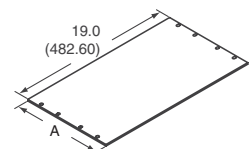
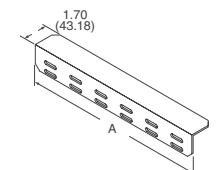
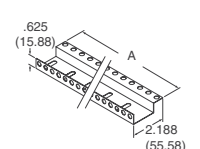
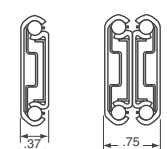
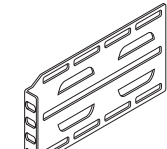
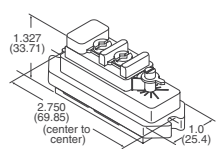
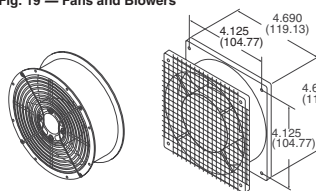
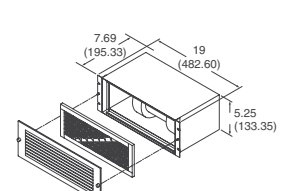
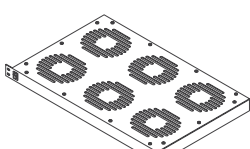
Wheel Description	Dimension A Inch (mm)	Load Rating	Digi-Key Part No.	Price Each		Bud Ind. Part No.	
				1	50		
Fig. 11 — Casters (Sold in Pairs) — RoHS Compliant							
Composition	3.25 (82.55)	200 lbs.	377-1264-ND	32.90	27.40	21.90	RC-7758-PR
Rubber with Brake	5.13 (130.18)	240 lbs.	377-1265-ND	77.50	64.60	58.16	RC-7760-PR
Rubber	5.13 (130.18)	240 lbs.	377-1266-ND	67.00	55.85	50.25	RC-7762-PR

♦ RoHS Compliant

(Continued)

More Product Available Online: www.digkey.com

Toll-Free: 1-800-344-4539 • Phone 218-681-6674 • Fax: 218-681-3380

<p>Fig. 11 — Casters</p>  <ul style="list-style-type: none"> • Heavy duty, ball bearing, swivel type • Hard tread rubber 	<p>Fig. 12 — Handles</p>  <ul style="list-style-type: none"> • High quality • Designed for long wear 	<p>Fig. 13 — Panels</p> 	<p>Fig. 14 — Chassis Support Brackets</p>  <ul style="list-style-type: none"> • Attaches to panel mounting rail accessory flange • Sold in pairs
<p>Fig. 15 — Panel Mounting Rails</p>  <ul style="list-style-type: none"> • 12 gauge steel • Rail mounting hardware included (Use 377-1403-ND screws, sold separately) • Black finish • Sold in pairs 	<p>Fig. 16 — Slides</p>  <ul style="list-style-type: none"> • Telescoping • Zinc-plated alloy steel with ball bearings 	<p>Fig. 17 — Slide Mounting Brackets</p>  <ul style="list-style-type: none"> • Designed for mounting two and three piece slides • Sold in pairs 	<p>Fig. 18 — Tem-Stat Temperature Control</p>  <ul style="list-style-type: none"> • Contacts open when there is a 10°F drop in temperature • Prevents shut-downs caused by overheating
<p>Fig. 19 — Fans and Blowers</p>  <p>FN-1280: • Mounts in FT-1170 fan tray or can be used for individual applications • Supplied with finger guard • UL approved, 105 CFM FN-1282: • Mounts in top of ventilated Economizer racks • Supplied with finger guard • UL/CSA rated, 535 CFM</p>	<p>Fig. 20 — Fan Tray Assemblies</p>  <ul style="list-style-type: none"> • 19" panel width with standard EIA notching for rack mounting • Motors are UL and CSA approved for 115VAC, 50/60Hz 	<p>Fig. 20 — Fan Tray Assemblies</p>  <ul style="list-style-type: none"> • Standard EIA 19.00" x 1-U (1.75") panel mounting • 115VAC • 7" long, three prong, power cord 	

Dimensions - Inch (mm)			Digi-Key Part No.	Price Each			Bud Ind. Part No.
Hand Clearance	Mounting Center	Diameter		1	10	100	
Fig. 12A — Chrome Plated Handles — RoHS Compliant							
1.25 (31.75)	6.00 (152.4)	.37 (9.398)	377-1228-ND*	8.30	6.95	6.25	H-9110-B
.93 (23.62)	4.00 (101.6)	.37 (9.398)	377-1229-ND*	6.40	5.30	4.75	H-9111-B
.93 (23.62)	6.00 (152.4)	.37 (9.398)	377-1230-ND*	7.80	6.50	5.85	H-9112-B
.93 (23.62)	8.00 (203.2)	.37 (9.398)	377-1231-ND	10.60	8.85	7.95	H-9113-B
1.50 (38.1)	8.00 (203.2)	.50 (12.7)	377-1232-ND†	16.50	13.80	12.40	H-9114-B
1.68 (3.36)	3.50 (88.9)	.37 (9.398)	377-1233-ND†	12.40	10.35	9.30	H-9160-B
1.68 (3.36)	5.25 (133.35)	.37 (9.398)	377-1234-ND†	10.60	8.90	8.00	H-9161-B
1.00 (25.4)	1.90 (48.26)	.25 (6.35)	377-1235-ND§	6.00	5.00	4.50	H-9166-B
1.00 (25.4)	3.00 (76.2)	.25 (6.35)	377-1236-ND§	5.70	4.70	4.25	H-9168-B

* Includes 2 - #10-32 x .37" screws. † Includes 2 - #6-32 x .50" screws. § Includes 2 - 1/4"-28 Hex nuts.

Dimensions - Inch (mm)			Digi-Key Part No.	Price Each			Bud Ind. Part No.
Hand Clearance	Mounting Center	Diameter		1	10	100	
Fig. 12B — Clear Anodized Aluminum Handle — RoHS Compliant							
1.09 (27.69)	4.00 (101.6)	.37 (9.398)	377-1237-ND*	10.85	9.05	8.15	H-9174-B

* Includes 2-8-32 x .37" screws

Dimension - Inch (mm)	Digi-Key Part No.	Price Each			Bud Ind. Part No.
A		1	10	50	
Fig. 13 — 19" Aluminum Surface Shield Panels - .12" Thick — RoHS Compliant					
1.75 (44.45)	377-1300-ND	9.50	7.95	7.15	SFA-1831
3.50 (88.9)	377-1301-ND	13.90	11.55	10.40	SFA-1832
5.25 (133.35)	377-1302-ND	17.80	14.90	13.40	SFA-1833
7.00 (177.8)	377-1303-ND	22.80	19.05	17.15	SFA-1834
8.75 (222.25)	377-1304-ND	25.00	20.85	18.75	SFA-1835
10.50 (266.7)	377-1305-ND	32.40	27.00	24.30	SFA-1836
Fig. 13 — 19" Aluminum Panels - .12" Thick (Gray) — RoHS Compliant					
1.75 (44.45)	377-1247-ND	10.35	8.65	7.80	PA-1101-MG
3.50 (88.9)	377-1248-ND	14.40	12.00	10.80	PA-1102-MG
5.25 (133.35)	377-1249-ND	19.70	16.40	14.75	PA-1103-MG
7.00 (177.8)	377-1250-ND	24.50	20.50	18.45	PA-1104-MG
8.75 (222.25)	377-1251-ND	29.70	24.80	22.30	PA-1105-MG
10.50 (266.7)	377-1252-ND	37.00	31.50	28.35	PA-1106-MG
12.25 (311.15)	377-1253-ND	41.40	34.50	31.05	PA-1107-MG
14.00 (355.6)	377-1254-ND	53.00	44.21	39.78	PA-1108-MG
Fig. 14 — Chassis Support Brackets (Sold in Pairs) — RoHS Compliant					
13.00 (330.2)	377-1213-ND	30.30	25.30	22.75	CSB-1352
16.00 (406.4)	377-1214-ND	32.80	27.38	24.66	CSB-1353
23.00 (584.2)	377-1215-ND	35.50	29.63	26.69	CSB-1354

Dimension - Inch (cm)	Digi-Key Part No.	Price Each			Bud Ind. Part No.
A		1	5	10	
Fig. 15 — Panel Mounting Rails (Sold in Pairs) — RoHS Compliant					
70.0 (177.80)	377-1413-ND	120.70	100.80	90.70	PMR-9453

Dimensions - Inch (cm)		Load Rating (per pair)	Digi-Key Part No.	Price Each			Bud Ind. Part No.
Slide Length	Travel			1	3	5	
Fig. 16 — Sliding Mechanisms - 2 Piece Slide — RoHS Compliant							
12 (30.48)	8 (20.32)	140 lbs.	377-1199-ND	30.50	25.45	22.90	AS-5000-A
16 (40.64)	12 (30.48)	120 lbs.	377-1200-ND	40.10	33.50	30.15	AS-5001-A
20 (50.80)	15 (38.10)	92 lbs.	377-1201-ND	42.00	35.10	31.60	AS-5002-A
26 (66.04)	19 (48.26)	70 lbs.	377-1202-ND	46.40	38.75	34.90	AS-5004-A
20 (50.80)	20.875 (53.02)	91 lbs.	377-1203-ND*	91.00	76.00	68.40	AS-5042-A

* 3 piece slide full extension

Description	Digi-Key Part No.	Price Each			Bud Ind. Part No.
		1	3	5	
Fig. 17 — Slide Mounting Brackets (Sold in Pairs) — RoHS Compliant					
Universal Kit	377-1204-ND	30.20	25.05	22.55	BAS-5106

Description	Digi-Key Part No.	Price Each			Bud Ind. Part No.
		1	5	10	
Fig. 18 — Tem-Stat Temperature Control — RoHS Compliant					
Normally Open; Closes on Temperature Rise...	377-1314-ND	34.80	—	26.15	TS-15
Rack Mount Power Outlet Strip					
15 Amps.....	377-1414-ND	70.00	52.50	49.06	POS-194-S
Mounting Hardware					
10-32 X .62" Phillips Screw Truss Head.....	377-1403-ND	4.00/25			7346
10-32 X .62" Phillips Screw with Pilot, Black.....	377-1409-ND	7.00/25			7346B
10-32 Cage Nut, Zinc-Plated.....	377-1405-ND♦	21.25/25			295
12-24 X .5" Phillips Screw Truss Head.....	377-1404-ND	5.00/25			9260
Fig. 19 — Fans and Blowers — RoHS Compliant					
Tubeaxial, 110V, .21 Amps.....	377-1225-ND	46.88	37.50	28.15	FN-1280
Exhaust, 10 inch, 115VAC.....	377-1226-ND	179.60	134.70	125.70	FN-1282
Fan Tray Assembly.....	377-1227-ND*	235.50	176.65	164.85	FT-1170-MG
Fig. 20 — Fan Tray Assemblies					
Assembly with 3 Fans, Total CFM 315.....	377-1423-ND♦	195.50	141.74	136.84	FT-1973
Assembly with 6 Fans, Total CFM 630.....	377-1424-ND♦	300.80	218.10	210.54	FT-1976
Assembly with 9 Fans, Total CFM 945.....	377-1425-ND	394.50	286.02	276.14	FT-1979

♦ RoHS Compliant * Fans sold separately, part number 377-1225-ND.

More Product Available Online: www.digkey.com

Toll-Free: 1-800-344-4539 • Phone 218-681-6674 • Fax: 218-681-3380