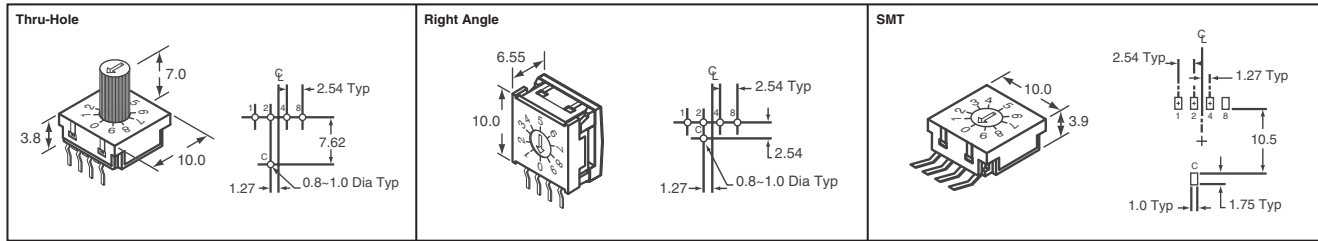


10mm Rotary DIP Switches



Specifications: • Switching Rating: 100mA @ 5VDC; Non-switching Rating: 100mA @ 50VDC; • Contact Resistance: 100mΩ maximum • Mechanical Life: 10,000 detent operations minimum • Electrical Life: 10,000 detent operations minimum **Materials and Finishes:** • Actuators: Glass fiber reinforced polyamide (UL94V-0) • Movable Contacts: Copper alloy with gold plating • Stationary Contacts: Phosphor bronze with gold plating • Terminals: Phosphor bronze with gold plating **Operating Temperature Range:** -25°C ~ 85°C **Note:** These devices are not process sealed. Hand clean locally using alcohol based solution.



Code	Termination	Actuator	Digi-Key Part No.	1	Price Each	25	100	NKK Part No.
BCD	SMT	Flush	360-2211-1-ND†	3.90	3.12	2.47		FR02FR10P-R
	SMT	Flush	360-2212-2-ND‡		942.50/500			FR02FR10P-R
	Thru-Hole	Flush	360-2198-ND	3.48	2.16	1.96		FR01FR10P-S
	Thru-Hole	Extended	360-2206-ND	3.48	2.16	1.96		FR01KR10P-S
	Right Angle	Flush	360-2197-ND	3.77	2.34	2.12		FR01FR10H-S
	Right Angle	Extended	360-2205-ND	3.77	2.34	2.12		FR01KR10H-S
BCD Comp	SMT	Flush	360-2209-1-ND†	3.90	3.12	2.47		FR02FC10P-R
	SMT	Flush	360-2209-2-ND‡		910.00/500			FR02FC10P-R
	Thru-Hole	Flush	360-2194-ND	3.48	2.16	1.96		FR01FC10P-S
	Thru-Hole	Extended	360-2202-ND	3.48	2.16	1.96		FR01KC10P-S
	Right Angle	Flush	360-2193-ND	3.77	2.34	2.12		FR01FC10H-S
	Right Angle	Extended	360-2201-ND	3.77	2.34	2.12		FR01KC10H-S

Code	Termination	Actuator	Digi-Key Part No.	1	Price Each	25	100	NKK Part No.
Hex	SMT	Flush	360-2212-1-ND†	3.90	3.12	2.47		FR02FR16P-R
	SMT	Flush	360-2212-2-ND‡		910.00/500			FR02FR16P-R
	Thru-Hole	Flush	360-2200-ND	3.48	2.16	1.96		FR01FR16P-S
	Thru-Hole	Extended	360-2208-ND	3.48	2.16	1.96		FR01KR16P-S
	Right Angle	Flush	360-2199-ND	3.77	2.34	2.12		FR01FR16H-S
	Right Angle	Extended	360-2207-ND	3.77	2.34	2.12		FR01KR16H-S
Hex Comp	SMT	Flush	360-2210-1-ND†	3.90	3.12	2.47		FR02FC16P-R
	SMT	Flush	360-2210-2-ND‡		910.00/500			FR02FC16P-R
	Thru-Hole	Flush	360-2196-ND	3.48	2.16	1.96		FR01FC16P-S
	Thru-Hole	Extended	360-2204-ND	3.48	2.16	1.96		FR01KC16P-S
	Right Angle	Flush	360-2195-ND	3.77	2.34	2.12		FR01FC16H-S
	Right Angle	Extended	360-2203-ND	3.77	2.34	2.12		FR01KC16H-S
Snap-On Knob for Flush Actuators				360-2246-ND	1.32	.73	.62	AT4180

† Cut Tape ‡ Tape and Reel

COPAL ELECTRONICS DIP Switches



CES Series
 Features: • Excellent contact stability by twin gold-plated contacts • Fine click action Specifications: • Operating Temperature: -40°C ~ 85°C • Non-washable • Contact Rating (non-switching): 50VDC @ 100mA • Contact Rating (switching): 6VDC @ 100mA or 24VDC @ 25mA • Maximum Contact Resistance: 50mΩ

CHP Series
 Features: • High-reliability Specifications: • Operating Temperature: -40°C ~ 85°C • Non-washable • Contact Rating (non-switching): 50VDC @ 100mA • Contact Rating (switching): 6VDC @ 100mA or 24VDC @ 25mA • Maximum Contact Resistance: 50mΩ

CHS Series
 Features: • Meets EIAJ SOP standard outline dimensions (B type) • Low profile design of 2.5mm • Excellent contact stability by twin gold-plated contact Specifications: • Operating Temperature: -40°C ~ 85°C • Contact Rating (non-switching): 50VDC @ 100mA • Contact Rating (switching): 6VDC @ 100mA or 24VDC @ 25mA • Maximum Contact Resistance: 50mΩ

CVS Series
 Features: • Low profile design of 1.45mm • Fine pitch of 1mm • Easy motion with knob height of 0.2mm Specifications: • Operating Temperature: -40°C ~ 85°C • Non-washable • Contact Rating (non-switching): 50VDC @ 100mA • Contact Rating (switching): 6VDC @ 100mA or 24VDC @ 25mA • Maximum Contact Resistance: 200mΩ

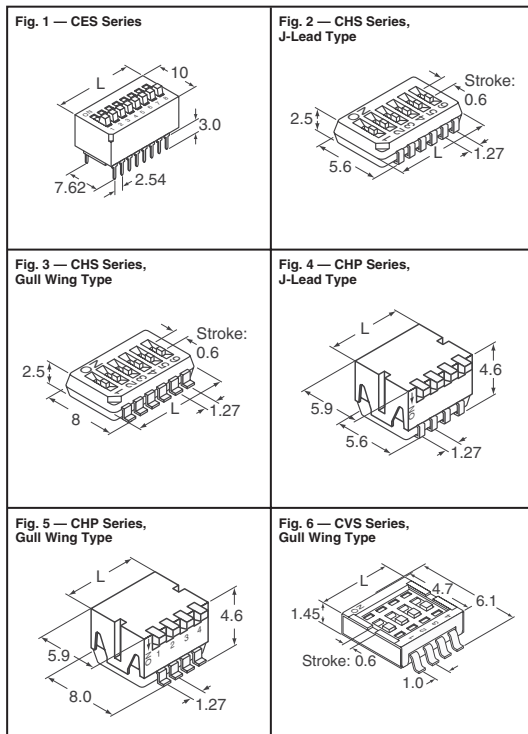


Fig.	No. of Pos.	Dim. L mm	Digi-Key Part No.	Cut Tape Price Each	1	10	100	Tape and Reel‡	Qty.	Pricing	Copal Electronics Part No.
CES Series, Through-Hole Type											
1	4	12.74	563-1000-5-ND†	2.33	1.40	1.23	—	—	—	—	CES-0402MC
	8	22.9	563-1002-5-ND†	2.85	1.75	1.52	—	—	—	—	CES-0802MC
CHS Series, J-Lead Type - Half Pitch											
2	1	2.5	563-1003-1-ND	1.51	.98	.74	1,000	648.00	—	—	CHS-01TA
	2	4.1	563-1005-1-ND	2.95	1.90	1.44	500	632.00	—	—	CHS-02TA
	4	6.6	563-1007-1-ND	2.43	1.62	1.30	500	607.50	—	—	CHS-04TA
	6	9.2	563-1009-1-ND	3.11	2.08	1.66	500	751.50	—	—	CHS-06TA
	8	11.7	563-1011-1-ND	3.30	2.21	1.77	500	798.50	—	—	CHS-08TA
	10	14.3	563-1013-1-ND	3.63	2.42	1.94	500	877.00	—	—	CHS-10TA
CHS Series, Gull Wing Type - Half Pitch											
3	1	2.5	563-1004-1-ND	1.51	.98	.74	1,000	648.00	—	—	CHS-01TB
	2	4.1	563-1006-1-ND	2.95	1.90	1.44	500	632.00	—	—	CHS-02TB
	4	6.6	563-1008-1-ND	2.72	1.82	1.46	500	680.50	—	—	CHS-04TB
	6	9.2	563-1010-1-ND	3.11	2.08	1.66	500	751.50	—	—	CHS-06TB
	8	11.7	563-1012-1-ND	3.30	2.21	1.77	500	798.50	—	—	CHS-08TB
	10	14.3	563-1014-1-ND	3.63	2.42	1.94	500	877.00	—	—	CHS-10TB
CHP Series, J-Lead Type - Half Pitch											
4	2	4.6	563-1015-1-ND	2.95	1.90	1.44	500	632.00	—	—	CHP-021TA
	8	12.2	563-1019-1-ND	3.30	2.21	1.77	500	798.50	—	—	CHP-081TA
CHP Series, Gull Wing Type											
5	4	7.1	563-1018-1-ND	2.72	1.82	1.46	500	680.50	—	—	CHP-041TB
	8	12.2	563-1020-1-ND	3.30	2.21	1.77	—	—	—	—	CHP-081TB
CVS Series, Gull Wing Type											
6	4	5	563-1041-1-ND	3.56	2.38	1.91	2,000	1634.00/M	—	—	CVS-04TB
	8	9	563-1042-1-ND	4.63	3.09	2.48	2,000	2085.00/M	—	—	CVS-08TB

† Bulk ‡ For Tape and Reel part number, change 1-ND to 2-ND.

More Product Available Online: www.digkey.com