



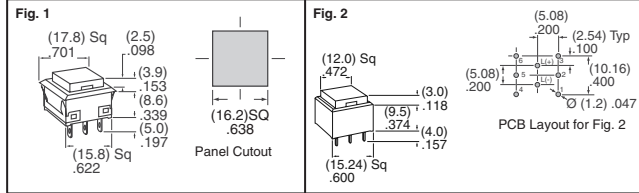
Illuminated Low Profile Pushbutton Switches

Snap-action contact mechanism. Snap-in mount (W01) with solder lug terminals and silver contacts; PCB mount (G03) with straight PC terminals and gold contacts.

Features:

• **Electrical Capacity:** • **Power Level (code W):** 5A at 125/250VAC or 5A at 30VDC • **Logic Level (code G):** 0.4VA maximum at 28V AC/DC maximum • **Dielectric Strength:** 1,000VAC minimum between contacts • **Mechanical Life:** 1,000,000 operations minimum (momentary); 200,000 operations minimum (alternate action) • **Electrical Life:** 10,000 operations minimum (silver); 200,000 operations minimum (gold) • **Total Travel:** .091" • **Operation Force:** 160 grams for single pole, 260 grams for double pole • **Contact Timing:** Break before make • **Operating Temperature:** -25°C - 50°C
UB Models: **UL recognized and CSA certified:** LED Rating: Red 1.85V at 20mA, Amber 2.0V at 20mA, Green 2.1V at 20mA.

Dimensions in (mm) Inch



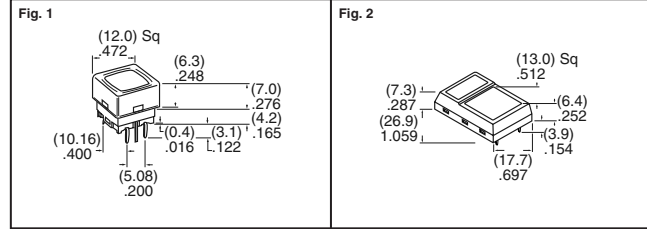
| Fig. | Circuit | Switching Function | LED | Cap Desc. Lens / Diffuser | Digi-Key Part No. | Price Each | 1 | 25 | 100 | NKK Part No. | |
|--|---|--------------------|-------|---------------------------|-------------------|------------|------|------|------|-------------------|--|
| Square Snap-in Mount, Single Element LED (UB Series) — 5A | | | | | | | | | | | |
| 1 | SPDT | On-Mom | Red | Red / Red | 360-2102-ND | 9.53 | 6.56 | 6.16 | 6.16 | UB15KKW015C-CC-RO | |
| | SPDT | On-Mom | Amber | Amber / Amber | 360-2103-ND | 9.53 | 6.56 | 6.16 | 6.16 | UB15KKW015D-DD-RO | |
| | SPDT | On-Mom | Green | Green / Green | 360-2104-ND | 9.53 | 6.56 | 6.16 | 6.16 | UB15KKW015F-FF-RO | |
| | DPDT | On-Mom | Red | Red / Red | 360-2105-ND | 11.34 | 8.22 | 7.31 | 7.31 | UB25KKW015C-CC-RO | |
| | DPDT | On-Mom | Amber | Amber / Amber | 360-2106-ND | 11.34 | 8.22 | 7.31 | 7.31 | UB25KKW015D-DD-RO | |
| | DPDT | On-Mom | Green | Green / Green | 360-1533-ND | 11.34 | 8.22 | 7.31 | 7.31 | UB25KKW015F-FF-RO | |
| 2 | DPDT | On-Mom | Green | Green / Green | 360-2107-ND | 11.34 | 8.22 | 7.31 | 7.31 | UB25KKW015F-FF-RO | |
| | Square PCB Mount, Single Element LED (UB Series) — 4VA | | | | | | | | | | |
| | SPDT | On-Mom | Red | Red / Red | 360-1945-ND | 9.14 | 6.29 | 5.91 | 5.91 | UB15SKG035C-CC-RO | |
| | SPDT | On-Mom | Amber | Amber / Amber | 360-1946-ND | 9.14 | 6.29 | 5.91 | 5.91 | UB15SKG035D-DD-RO | |
| | SPDT | On-Mom | Green | Green / Green | 360-1947-ND | 9.14 | 6.29 | 5.91 | 5.91 | UB15SKG035F-FF-RO | |
| | DPDT | On-Mom | Red | Red / Red | 360-1948-ND | 11.48 | 8.32 | 7.40 | 7.40 | UB25SKG035C-CC-RO | |
| 2 | DPDT | On-Mom | Amber | Amber / Amber | 360-1544-ND | 11.48 | 8.32 | 7.40 | 7.40 | UB25SKG035D-DD-RO | |
| | DPDT | On-Mom | Amber | Amber / Amber | 360-1949-ND | 11.48 | 8.32 | 7.40 | 7.40 | UB25SKG035D-DD-RO | |
| | DPDT | On-Mom | Green | Green / Green | 360-1950-ND | 11.48 | 8.32 | 7.40 | 7.40 | UB25SKG035F-FF-RO | |

• RoHS Compliant

Illuminated Process Sealed Tactile Switches



Dimensions in (mm) Inch



JB Series - Illuminated, Low Profile Momentary Switches:

Bright full face LED illumination for extremely long life. Sealed for automated soldering processes. Higher operating force provides more pronounced operating feel. All lenses come standard with diffused colored lens unless noted as clear. Terminal spacing conforming to .100" PCB grid. Straight, molded-in PC terminals. Single pole, single throw, variety of cap colors. Red, yellow or green LEDs.

Electrical Capacity: 50mA at 24VDC, maximum **Dielectric Strength:** 250VAC minimum **Mechanical Life:** 5,000,000 operations minimum **Electrical Life:** 5,000,000 operations minimum **Operating Temperature:** -25°C - 70°C **Total Travel:** .010"

JF Series - Illuminated, Ultra-Thin Momentary Switches:

JF Series are washable tactile switches with crisp tactile feedback. Terminal spacing conforming to .100" PCB grid. Single pole, single throw, variety of cap colors. Red, yellow or green LEDs.

Electrical Capacity: 50mA at 24VDC maximum **Dielectric Strength:** 250VAC minimum **Mechanical Life:** 500,000 operations minimum **Electrical Life:** 500,000 operations minimum **Operating Temperature:** -25°C - 70°C **Total Travel:** .016"

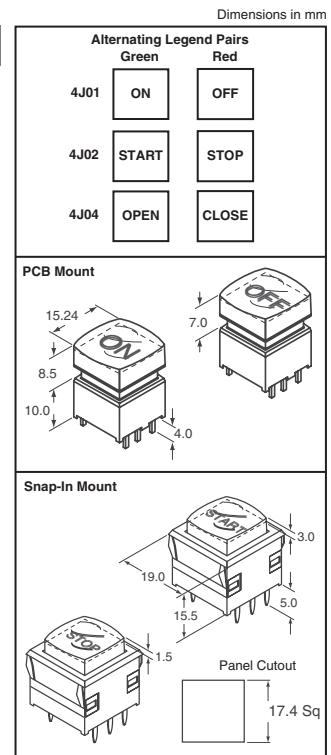
| Fig. | Circuit | LED Color | Cap Description | Diffuser | Digi-Key Part No. | Price Each | 1 | 25 | 100 | NKK Part No. |
|---|---------|-----------|-----------------|----------|-------------------|------------|------|------|------|--------------|
| JB Series Illuminated Low Profile Switches | | | | | | | | | | |
| 1 | SPST | Red | Clear | White | 360-1260-ND | 4.31 | 2.78 | 2.47 | 2.47 | JB15LPC-JB |
| | SPST | Red | Clear | Red | 360-1261-ND | 4.31 | 2.78 | 2.47 | 2.47 | JB15LPC-JC |
| | SPST | Yellow | Clear | White | 360-1262-ND | 4.31 | 2.78 | 2.47 | 2.47 | JB15LPE-JB |
| | SPST | Yellow | Clear | Yellow | 360-1263-ND | 4.31 | 2.78 | 2.47 | 2.47 | JB15LPE-JE |
| | SPST | Green | Clear | White | 360-1264-ND | 4.31 | 2.78 | 2.47 | 2.47 | JB15LPE-JB |
| | SPST | Green | Clear | Green | 360-1265-ND | 4.31 | 2.78 | 2.47 | 2.47 | JB15LPE-JF |
| JF Series Illuminated Ultra Thin Switches | | | | | | | | | | |
| 2 | SPST | Red | — | — | 360-1266-ND | 6.40 | 4.43 | 3.92 | 3.92 | JF15AP1CC |
| | SPST | Yellow | — | — | 360-1267-ND | 7.70 | 5.24 | 4.78 | 4.78 | JF15AP1EE |
| | SPST | Green | — | — | 360-1268-ND | 6.68 | 4.62 | 4.09 | 4.09 | JF15AP1FF |

Illuminated Low Profile Pushbutton Switches with Alternating Legend

The UB2's options feature super bright bi-color LEDs with alternating legends by color, all in one switch. These options offer innovative design engineers an exceptional choice to replace outdated, split legend caps. Super bright, red/green, bi-color LED switch selections can be specified with alternating ON/OFF, START/STOP, or OPEN/CLOSE legend configurations. The glossy polycarbonate cap features a single filter with a dual legend under the clear lens.

When actuated, the green or red LED brilliantly highlights the alternating legends, clearly indicating the desired circuit status. Legend text is black. **Electrical Capacity:** • **Power Level (Silver):** 5A @ 125/250VAC or 30VDC • **Logic Level (Gold):** 0.4VA maximum @ 28V AC/DC maximum **Mechanical Life:** 1,000,000 Operations minimum (momentary); 200,000 Operations minimum (alternate action) **Operating Temperature Range:** -25°C - 50°C

| Circuit | Mounting Type | Switching Function | Contact Material | Alternating Legend | Digi-Key Part No. | Price Each | 1 | 25 | 100 | NKK Part No. |
|---------|---------------|--------------------|------------------|--------------------|-------------------|------------|-------|-------|-------|--------------------|
| SPDT | PCB | On-Mom | Gold | ON/OFF | 360-2227-ND | 21.04 | 16.31 | 14.73 | 14.73 | UB215SKG036CF-4J01 |
| SPDT | PCB | On-On | Gold | ON/OFF | 360-2228-ND | 21.82 | 16.92 | 15.28 | 15.28 | UB216SKG036CF-4J01 |
| DPDT | PCB | On-Mom | Gold | ON/OFF | 360-2229-ND | 23.74 | 18.40 | 16.62 | 16.62 | UB225SKG036CF-4J01 |
| DPDT | PCB | On-On | Gold | ON/OFF | 360-2225-ND | 24.84 | 18.63 | 17.39 | 17.39 | UB226SKG036CF-4J01 |
| SPDT | Snap-In | On-Mom | Silver | ON/OFF | 360-2226-ND | 20.60 | 15.97 | 14.42 | 14.42 | UB215KKW016CF-4J01 |
| SPDT | Snap-In | On-On | Silver | ON/OFF | 360-2222-ND | 21.38 | 16.57 | 14.97 | 14.97 | UB216KKW016CF-4J01 |
| DPDT | Snap-In | On-Mom | Silver | ON/OFF | 360-2228-ND | 22.86 | 17.72 | 16.01 | 16.01 | UB225KKW016CF-4J01 |
| DPDT | Snap-In | On-On | Silver | ON/OFF | 360-2224-ND | 23.96 | 18.57 | 16.78 | 16.78 | UB226KKW016CF-4J01 |
| SPDT | PCB | On-Mom | Gold | START/STOP | 360-2235-ND | 21.04 | 16.31 | 14.73 | 14.73 | UB215SKG036CF-4J02 |
| SPDT | PCB | On-On | Gold | START/STOP | 360-2231-ND | 21.82 | 16.92 | 15.28 | 15.28 | UB216SKG036CF-4J02 |
| DPDT | PCB | On-Mom | Gold | START/STOP | 360-2237-ND | 23.74 | 18.40 | 16.62 | 16.62 | UB225SKG036CF-4J02 |
| DPDT | PCB | On-On | Gold | START/STOP | 360-2233-ND | 24.84 | 18.63 | 17.39 | 17.39 | UB226SKG036CF-4J02 |
| SPDT | Snap-In | On-Mom | Silver | START/STOP | 360-2234-ND | 20.60 | 15.97 | 14.42 | 14.42 | UB215KKW016CF-4J02 |
| SPDT | Snap-In | On-On | Silver | START/STOP | 360-2230-ND | 21.38 | 16.57 | 14.97 | 14.97 | UB216KKW016CF-4J02 |
| DPDT | Snap-In | On-Mom | Silver | START/STOP | 360-2236-ND | 22.86 | 17.72 | 16.01 | 16.01 | UB225KKW016CF-4J02 |
| DPDT | Snap-In | On-On | Silver | START/STOP | 360-2232-ND | 23.96 | 18.57 | 16.78 | 16.78 | UB226KKW016CF-4J02 |
| SPDT | PCB | On-Mom | Gold | OPEN/CLOSE | 360-2243-ND | 21.04 | 16.31 | 14.73 | 14.73 | UB215SKG036CF-4J04 |
| SPDT | PCB | On-On | Gold | OPEN/CLOSE | 360-2239-ND | 21.82 | 16.92 | 15.28 | 15.28 | UB216SKG036CF-4J04 |
| DPDT | PCB | On-Mom | Gold | OPEN/CLOSE | 360-2245-ND | 23.74 | 18.40 | 16.62 | 16.62 | UB225SKG036CF-4J04 |
| DPDT | PCB | On-On | Gold | OPEN/CLOSE | 360-2241-ND | 24.84 | 18.63 | 17.39 | 17.39 | UB226SKG036CF-4J04 |
| SPDT | Snap-In | On-Mom | Silver | OPEN/CLOSE | 360-2242-ND | 20.60 | 15.97 | 14.42 | 14.42 | UB215KKW016CF-4J04 |
| SPDT | Snap-In | On-On | Silver | OPEN/CLOSE | 360-2238-ND | 21.38 | 16.57 | 14.97 | 14.97 | UB216KKW016CF-4J04 |
| DPDT | Snap-In | On-Mom | Silver | OPEN/CLOSE | 360-2244-ND | 22.86 | 17.72 | 16.01 | 16.01 | UB225KKW016CF-4J04 |
| DPDT | Snap-In | On-On | Silver | OPEN/CLOSE | 360-2240-ND | 23.96 | 18.57 | 16.78 | 16.78 | UB226KKW016CF-4J04 |



More Product Available Online: www.digkey.com

2058 (T083)

Toll-Free: 1-800-344-4539 • Phone 218-681-6674 • Fax: 218-681-3380