

CHERRY Rocker Switches



Legend Marks

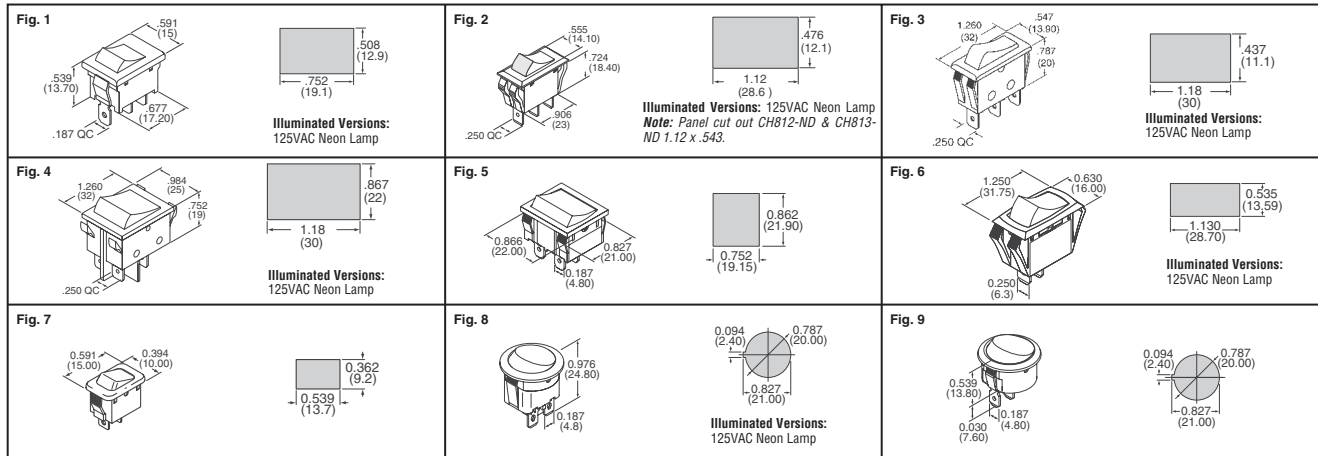


Fig.	Body Color	Actuator Color	Circuit Function	Switch Type	Legend Marking	Digi-Key Part No.	Price Each	1	10	50	Cherry Part No.		
SR Series — 10 Amp Miniature Rocker Switches													
1	Black	Black	On/Off	SPST	A	CH755-ND	.81	.72	.60		SRB22A2FBBNN		
		Black	On/On	SPDT	D	CH756-ND	.86	.77	.64		SRB23A2BBBNN		
		Black	On/Off/On	SPDT	B	CH757-ND	1.03	.92	.76		SRB24A2HBBNN		
		Black	On/Off	SPST	D	CH758-ND	.78	.70	.58		SRB22A2BBBNN		
		Black	On/Off	SPST	C	CH759-ND	.78	.70	.58		SRB22A2GBBNN		
		Black	On/Off	SPST	E	CH760-ND	.78	.70	.58		SRB22A2DBBNN		
1	Black	Red	On/Off	SPST	A	CH761-ND	.81	.72	.60		SRB22A2FBRNN		
		White	On/Off	SPST	D	CH762-ND	.81	.72	.60		SRB22A2BBWNN		
		LR Series — 10 Amp Multi-pole Rocker Switches											
		Black	Black	On/Off	SPST	A	CH763-ND	.95	.84	.70		LRA22H2BBBNN	
			Black	On/Off	SPST	A	CH764-ND	.95	.84	.70		LRA22H2FBBNN	
			Black	On/Off	SPST	E	CH765-ND	.95	.84	.70		LRA22H2DBBNN	
Grey	Grey	On/Off	SPST	A	CH768-ND	1.03	.92	.76		LRA22H2FYNN			
	Black	On/Off	DPST	A	CH770-ND	1.05	.94	.78		LRA32H2FBBNN			
	Black	On/Off	DPST	E	CH771-ND	1.05	.94	.78		LRA32H2DBBNN			
1	Black	Red-Illuminated	On/Off	DPST	D	CH773-ND	1.27	1.13	.94		LRA32H2BBRLN		
		Red-Illuminated	On/Off	SPST	A	CH774-ND	1.19	1.06	.88		LRA22H2FBRLL		
		Red-Illuminated	On/Off	DPST	A	CH775-ND	1.27	1.13	.94		LRA32H2FBRLL		
		Green-Illuminated	On/Off	SPST	D	CH776-ND	1.19	1.06	.88		LRA22H2BBGLN		
		Green-Illuminated	On/Off	DPST	A	CH779-ND	1.27	1.13	.94		LRA32H2FBRLL		
		Amber-Illuminated	On/Off	SPST	D	CH780-ND	1.19	1.06	.88		LRA22H2BBALL		
2	Black	Black	On/Off	DPST	D	CH781-ND	1.27	1.13	.94		LRA32H2BBALL		
		CR Series — 20 Amp Standard Rocker Switches											
		Black	Black	On/Off	SPST	D	CH798-ND	.97	.87	.72		CRE22F2BBBNE	
			Black	On/Off	SPST	A	CH799-ND	.97	.87	.72		CRE22F2FBBNE	
			Black/Red Shade	On/Off	SPST	F	CH800-ND	1.03	.92	.76		CRE22F4BBBNE	
		Black	Black/Red Shade	On/Off	SPST	E/F	CH801-ND	1.03	.92	.76		CRE22F4DBBNE	
Black/Red Shade	On/Off		SPST	A/F	CH840-ND	1.03	.92	.76		CRE22F4FBBNE			
Black	On/Off		SPST	E	CH802-ND	.97	.87	.72		CRE22F2PBBNE			
2	White	White	On/Off	SPST	A	CH803-ND	1.03	.92	.76		CRE22F2FBRNE		
		White/Red Shade	On/Off	SPST	F	CH804-ND	1.05	.94	.78		CRE22F4BWWNE		
		Grey/Red Shade	On/Off	SPST	F	CH805-ND	1.05	.94	.78		CRE22F4BYNE		
		Black	On/On	SPDT	D	CH806-ND	1.08	.96	.80		CRE23F2BBBNE		
		Black	On/Off/On	SPDT	B	CH807-ND	1.11	.99	.82		CRE24F2HBBNE		
		Red	On/Off/On	SPDT	D	CH808-ND	1.11	.99	.82		CRE24F2BBRNE		
1	Black	Red-Illuminated	On/Off	SPST	D	CH809-ND	1.24	1.11	.92		CRE22F2BBRLLE		
		Amber-Illuminated	On/Off	SPST	D	CH810-ND	1.24	1.11	.92		CRE22F2BBALLE		
		Green-Illuminated	On/Off	SPST	D	CH811-ND	1.24	1.11	.92		CRE22F2BBGLLE		
		Black/Red Shade	On/Off	SPST	F	CH813-ND	1.46	1.30	1.08		CRE22F4BBBWN		
		Washable	On/Off	SPST	F	CH813-ND	1.46	1.30	1.08		CRE22F4BBBWN		

Fig.	Body Color	Actuator Color	Circuit Function	Switch Type	Legend Marking	Digi-Key Part No.	Price Each	1	10	50	Cherry Part No.		
TR Series — 16 Amp Thin Power Rocker Switches													
3	Black	Black	On/Off	SPST	A	CH793-ND	1.11	.99	.82		TRG22F2FBBNN		
		Black	On/Off	SPST	A	CH793-ND	1.11	.99	.82		TRG22F2DBBNN		
		Red	On/Off	SPST	A	CH794-ND	1.13	1.01	.84		TRG22F2FBRNN		
		Red-Illuminated	On/Off	SPST	D	CH795-ND	1.32	1.18	.98		TRG22F2BBRLN		
4	Black	Green-Illuminated	On/Off	SPST	D	CH796-ND	1.32	1.18	.98		TRG22F2BBGLN		
		WR Series — 16 Amp Double-Pole Large Rocker Switches											
		Black	On/Off	DPST	A	CH784-ND	1.46	1.30	1.08		WRG32F2FBBNN		
		Black	On/Off	DPST	A	CH785-ND	1.46	1.30	1.08		WRG32F5FBBNN		
		Black	On/Off/On	DPDT	B	CH786-ND	1.73	1.54	1.28		WRG34F2HBBNN		
		Red-Illuminated	On/Off	DPST	D	CH787-ND	1.78	1.59	1.32		WRG32F2BBRLN		
5	Black	Red-Illuminated	On/Off	DPST	D	CH788-ND	1.78	1.59	1.32		WRG32F2FBRLL		
		Red-Illuminated	On/Off	DPST	D	CH789-ND	1.78	1.59	1.32		WRG32F5BBRLN		
		Green-Illuminated	On/Off	DPST	D	CH790-ND	1.78	1.59	1.32		WRG32F5BBGLN		
		Green-Illuminated	On/Off	DPST	A	CH791-ND	1.78	1.59	1.32		WRG32F2FBRLL		
		FR Series — 12 Amp Double-Pole Rocker Switches											
		6	Black	Black	On/Off	DPST	D	CH856-ND	1.57	1.40	1.16		FRH32A2BBBNN
Black	On/On			DPDT	D	CH857-ND	1.57	1.40	1.16		FRH33A2BBBNN		
Black	On/Off			DPST	E	CH859-ND	1.57	1.40	1.16		FRH32A2DBBNN		
GR Series — 15 Amp Compact Rocker Switches													
7	Black	Black	On/Off	SPST	D	CH860-ND	.81	.72	.60		GRF22N2BBBNN		
		Black	On/Off	SPST	A	CH861-ND	.81	.72	.60		GRF22N2FBWNN		
		Red-Illuminated	On/On	SPDT	D	CH862-ND	.89	.80	.66		GRF22N2BBBNN		
8	Black	Black	On/Off	SPST	D	CH863-ND	1.13	1.01	.84		GRF22N2BBRLN		
		PR Series — 6 Amp Power Rocker Switches											
		Black	On/Off	SPST	D	CH864-ND	1.11	.99	.82		PRK22J5BBBNN		
		Black	On/Off	SPST	E	CH865-ND	1.11	.99	.82		PRK22J5DBBNN		
		RR Series — 10 Amp Round Rocker Switches											
		9	Black	Black	On/Off	SPST	D	CH866-ND	1.05	.94	.78		RRA22H3BBBNN
Black	On/Off			DPST	A	CH867-ND	1.57	1.40	1.16		RRA22H3FBNN		
White	On/Off			SPST	D	CH868-ND	1.05	.94	.78		RRA22H3BWWNN		
Black	On/Off			SPST	A	CH869-ND	1.05	.94	.78		RRA22H3FBRNN		
Black	Red-Illuminated			On/Off	SPST	D	CH870-ND	1.40	1.25	1.04		RRA22H3BBRLN	
Black	Red-Illuminated			On/Off	DPST	D	CH871-ND	1.89	1.68	1.40		RRA22H3BBRLN	
9	Black	Black	On/Off	SPST	D	CH872-ND	1.40	1.25	1.04		RRA22H3BBALL		
		Black	On/On	SPDT	D	CH873-ND	1.40	1.25	1.04		RRA22H3BBRRN		
		Black	On/Off	SPST	D	CH874-ND	1.05	.94	.78		RRA22H3BWRNN		
		SR Series — 20 Amp Miniature Round Rocker Switches											
		9	Black	Black	On/Off	SPST	D	CH875-ND	1.19	1.06	.88		SRJ22A3BBBNN
				Black	On/On	SPDT	D	CH876-ND	1.38	1.23	1.02		SRJ23A3BBBNN
Black	On/Off/On			SPDT	D	CH877-ND	1.49	1.32	1.10		SRJ24A3BBBNN		
Black	On/Off/On			SPDT	B	CH878-ND	1.49	1.32	1.10		SRJ24A3HBBNN		

‡ 12 VDC Incandescent

NKK SWITCHES Internationally Approved Rocker Switches

High Inrush TV Rated



JW Series: Industry's first molded rockers with TV rating (JWM and JWMW: TV-5; JWL: TV-8). UL, CSA, VDE, SEMKO and SEV approved. Silver contacts, epoxy sealed solder lug terminals. **Electrical Capacity:** JWM and JWMW: 10A @ 125/250VAC; JMW: 10A @ 30VDC; JWL: 16A @ 125/250VAC. **Dielectric Strength:** 2,000VAC minimum between contacts; 4,000VAC minimum between contacts and case. **Electrical Life:** 25,000 operations minimum **Operating Temperature:** -25°C - 70°C. **Angle of Throw:** 26° **Terminals:** JWM and JWMW: Solder lugs, JWL: .187" QC All switches are black body with black actuator. IP67 Panel Seal Option available.

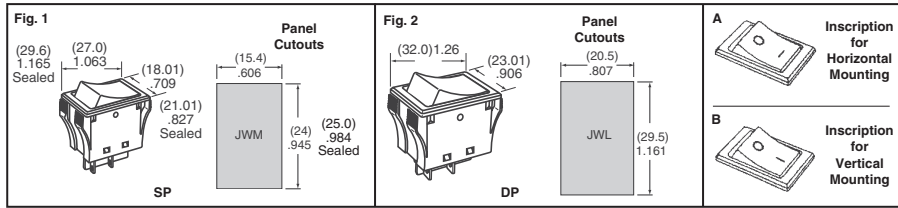


Fig.	Switching Circuit	Function	Marking	Digi-Key Part No.	Price Each	1	25	100	NKK Part No.
1	SPST	On-Off	A	360-1483-ND	6.38	4.42	3.91		JWM11RA1A
	SPST	On-Off	B	360-1484-ND	6.38	4.42	3.91		JWM11RA2A
	SPST	On-Off	A	360-1715-ND†	7.50	5.10	4.65		JWMW11RA1A
	SPST	On-Off	B	360-1716-ND†	7.50	5.10	4.65		JWMW11RA2A
	DPST	On-Off	A	360-1487-ND	7.99	5.67	5.17		JWM21RA1A
	DPST	On-Off	B	360-1488-ND	7.99	5.67	5.17		JWM21RA2A
1	DPST	On-Off	A	360-1717-ND†	9.07	6.24	5.86		JWMW21RA1A

Fig.	Switching Circuit	Function	Marking	Digi-Key Part No.	Price Each	1	25	100	NKK Part No.
1	DPST	On-Off	B	360-1718-ND†	9.07	6.24	5.86		JWMW21RA2A
	SPST	On-Off	A	360-1481-ND	7.99	5.67	5.17		JWL11RA1A
	SPST	On-Off	B	360-1482-ND	7.99	5.67	5.17		JWL11RA2A
2	DPST	On-Off	A	360-1495-ND	10.42	7.39	7.03		JWL21RA1A
	DPST	On-Off	B	360-1496-ND	10.42	7.39	7.03		JWL21RA2A
—	Switch Boot	Waterproof	JWL Series	360-1011-ND	3.39	2.10	1.85		AT4126

† Panel Sealed

More Product Available Online: www.digkey.com

Toll-Free: 1-800-344-4539 • Phone 218-681-6674 • Fax: 218-681-3380

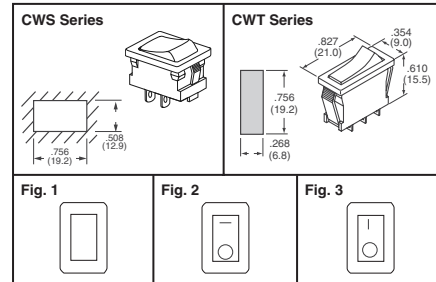
(T083) 2027



Fig.	Circuit	Switch Function	Actuator Color	Terminals	Current Rating	Digi-Key Part No.	Price Each			NKK Part No.
							1	25	100	
1	SPST	On-Off	—	Solder	6A	360-1720-ND	2.34	1.41	1.23	CWSA11AANS
	SPDT	On-On	—	Solder	6A	360-1727-ND	2.79	1.71	1.49	CWT12AAS1
	DPST	On-Off	Red 125VAC	.187 QC	9A	360-1728-ND	4.26	2.74	2.44	CWSB21CACF
	DPST	On-Off	Amber 125VAC	.187 QC	9A	360-1729-ND	4.06	2.52	2.29	CWSB21DADF
	DPST	On-Off	Green 125VAC	.187 QC	9A	360-1730-ND	4.26	2.74	2.44	CWSB21FAFF
	DPST	On-Off	Red LED	.110 QC	9A	360-1731-ND	7.30	4.97	4.47	CWSC21JCACS
	DPST	On-Off	Amber LED	.110 QC	9A	360-1732-ND	7.30	4.97	4.47	CWSC21JDADS
	DPST	On-Off	Green LED	.110 QC	9A	360-1733-ND	7.30	4.97	4.47	CWSC21JFACS
	SPST	On-Off	Red LED	.110 QC	9A	360-1734-ND	4.92	3.14	2.87	CWSC11JCACS
	SPST	On-Off	Amber LED	.110 QC	9A	360-1735-ND	4.92	3.14	2.87	CWSC11JDADS
SPST	On-Off	Green LED	.110 QC	9A	360-1736-ND	4.92	3.14	2.87	CWSC11JFACS	
2	SPST	On-Off	—	Solder	6A	360-1721-ND	2.50	1.51	1.31	CWSA11AAN1S
	SPST	On-Off	—	.187 QC	6A	360-1723-ND	2.59	1.54	1.38	CWSB11AA1F
	DPST	On-Off	—	.187 QC	6A	360-1725-ND	3.39	2.10	1.85	CWSB21AA1F
3	SPST	On-Off	—	Solder	6A	360-1722-ND	2.50	1.51	1.31	CWSA11AAN2S
	SPST	On-Off	—	.187 QC	6A	360-1724-ND	2.59	1.54	1.38	CWSB11AA2F
	DPST	On-Off	—	.187 QC	6A	360-1726-ND	3.39	2.10	1.85	CWSB21AA2F

Neon Lamp Ratings			
	Red	Amber	Green
Voltage	125V	125V	125V
Internal Resistance	33KΩ	33KΩ	33KΩ
Current	1.4mA	1.4mA	0.6mA

LED Ratings			
	Red	Amber	Green
Forward Voltage	2.1V	2.0V	1.95V
Forward Current	20mA	20mA	20mA
Peak Current	30mA	30mA	30mA



M Series Miniature Rocker Switches



FEATURES: • High insulating barriers increase isolation of circuits in multi-pole devices and provide added protection to contact points • Epoxy sealed terminals prevent entry of solder flux and other contaminants • Bias guard prevents misalignment of contacts; Interlocking of actuator block with rocker and internal guide does not allow transmission of diagonal force on rocker to reach contact mechanism **SPECIFICATIONS:** **Electrical Capacity:** • Power Level (Silver): 6A @ 125VAC, 3A @ 250VAC, 4A @ 30VDC for On-On circuits, 3A @ 30VDC for all others • Logic Level (Gold): 0.4VA maximum @ 28V AC/DC maximum • Contact Resistance: 10mΩ maximum (silver); 20mΩ maximum (gold) • Insulation Resistance: 1,000MΩ minimum @ 500VDC • Dielectric Strength: 1,000VAC minimum between contacts for 1 minute • Mechanical Life: 50,000 operations minimum • Electrical Life: 25,000 operations minimum for silver; 50,000 operations minimum for gold • Frame Material: Stainless steel, black actuator • Operating Temperature Range: -30°C - 85°C

3A @ 30VDC for all others • Logic Level (Gold): 0.4VA maximum @ 28V AC/DC maximum • Contact Resistance: 10mΩ maximum (silver); 20mΩ maximum (gold) • Insulation Resistance: 1,000MΩ minimum @ 500VDC • Dielectric Strength: 1,000VAC minimum between contacts for 1 minute • Mechanical Life: 50,000 operations minimum • Electrical Life: 25,000 operations minimum for silver; 50,000 operations minimum for gold • Frame Material: Stainless steel, black actuator • Operating Temperature Range: -30°C - 85°C

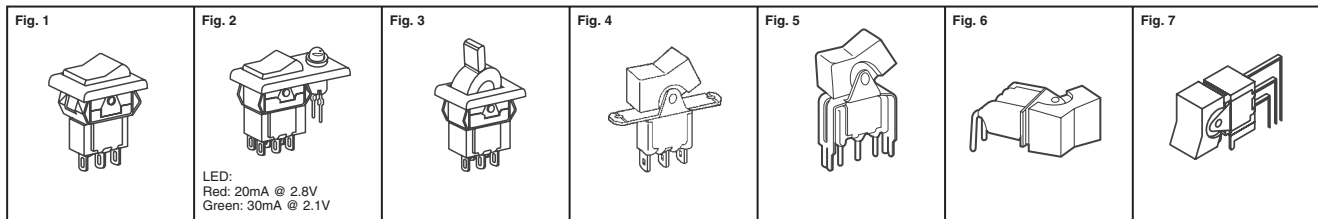


Fig.	Circuit	Actuator Description	Switching Function	Termination	Contact Material	Digi-Key Part No.	Price Each			NKK Part No.
							1	25	100	
1	SPDT	Snap-In Rocker	On-On	Solder Lug	Silver	360-2247-ND	5.33	3.55	3.18	M2012TJW01-FA-1A
	SPDT	Snap-In Rocker	On-Off-On	Solder Lug	Silver	360-2255-ND	5.95	3.97	3.55	M2013TJW01-FA-1A
	SPDT	Snap-In Rocker	On-Mom	Solder Lug	Silver	360-2257-ND	6.47	4.31	3.86	M2015TJW01-FA-1A
	SPDT	Snap-In Rocker	Mom-Off-Mom	Solder Lug	Silver	360-2259-ND	6.33	4.38	3.88	M2018TJW01-FA-1A
	SPDT	Snap-In Rocker	On-Off-Mom	Solder Lug	Silver	360-2264-ND	6.33	4.38	3.88	M2019TJW01-FA-1A
	DPDT	Snap-In Rocker	On-On	Solder Lug	Silver	360-2265-ND	6.88	4.76	4.21	M2022TJW01-FA-1A
2	DPDT	Snap-In Rocker, Red LED	On-Off-On	Solder Lug	Silver	360-2271-ND	7.73	5.26	4.79	M2023TJW01-FA-1A
	DPDT	Snap-In Rocker, Green LED	Mom-Off-Mom	Solder Lug	Silver	360-2273-ND	8.57	6.07	5.54	M2028TJW01-FA-1A
	DPDT	Snap-In Rocker	Mom-Off-Mom	Solder Lug	Silver	360-2273-ND	8.57	6.07	5.54	M2028TJW01-FA-1A
3	DPDT	Snap-In Rocker, Red LED	On-On	Solder Lug	Silver	360-2217-ND	7.99	5.67	5.17	M2022TJW01-FA-2A-C-RO
	DPDT	Snap-In Rocker, Green LED	On-On	Solder Lug	Silver	360-2266-ND	8.52	6.04	5.51	M2022TJW01-FA-2A-F
	SPDT	Snap-In Paddle	On-on	Solder Lug	Silver	360-2248-ND	5.33	3.55	3.18	M2012TJW01-GA-1A
	SPDT	Snap-In Paddle	On-Mom	Solder Lug	Silver	360-2215-ND	6.47	4.31	3.86	M2015TJW01-GA-1A
	SPDT	Snap-In Paddle	Mom-Off-Mom	Solder Lug	Silver	360-2260-ND	6.33	4.38	3.88	M2018TJW01-GA-1A
	DPDT	Snap-In Paddle	On-On	Solder Lug	Silver	360-2218-ND	6.88	4.76	4.21	M2022TJW01-GA-1A
4	DPDT	Snap-In Paddle	On-Off-On	Solder Lug	Silver	360-2220-ND	7.73	5.26	4.79	M2023TJW01-GA-1A
	DPDT	Snap-In Paddle	On-On-On	Solder Lug	Silver	360-2272-ND	8.76	6.03	5.66	M2024TJW01-GA-1A
	DPDT	Snap-In Paddle	On-Mom	Solder Lug	Silver	360-2221-ND	8.28	5.87	5.35	M2025TJW01-GA-1A
	DPDT	Snap-In Paddle	Mom-Off-Mom	Solder Lug	Silver	360-2274-ND	8.57	6.07	5.54	M2028TJW01-GA-1A
	SPDT	Rocker .365" Wide	On-On	Solder Lug	Silver	360-2249-ND	4.84	3.08	2.82	M2012TNW01-DA
	SPDT	Rocker .365" Wide	On-Off-On	Solder Lug	Silver	360-2256-ND	5.20	3.46	3.10	M2013TNW01-DA
	SPDT	Rocker .365" Wide	Mom-Off-Mom	Solder Lug	Silver	360-2261-ND	5.82	3.88	3.48	M2018TNW01-DA
	SPDT	Paddle .365" Wide	Mom-Off-Mom	Solder Lug	Silver	360-2262-ND	5.82	3.88	3.48	M2018TNW01-EA
	SPDT	Paddle .595" Wide	Mom-Off-Mom	Solder Lug	Silver	360-2216-ND	6.08	4.05	3.63	M2018TYW01-DA
	DPDT	Rocker .365" Wide	On-On	Solder Lug	Silver	360-2267-ND	6.40	4.26	3.82	M2022TNW01-HA
5	DPDT	Rocker .365" Wide	Mom-Off-Mom	Solder Lug	Silver	360-2275-ND	8.11	5.75	5.24	M2028TYW01-JA
	4PDT	Rocker .365" Wide	On-On	Solder Lug	Silver	360-2276-ND	11.66	8.45	7.52	M2042TNW01-DA
	SPDT	Rocker .365" Wide	On-On	PC Bracket	Gold	360-2250-ND	5.38	3.59	3.21	M2012TXG13-DA-RO
	SPDT	Paddle .365" Wide	On-On	PC Bracket	Gold	360-2213-ND	5.38	3.59	3.21	M2012TXG13-EA-RO
	SPDT	Rocker .365" Wide	On-On	PC Bracket	Silver	360-2252-ND	5.09	3.24	2.96	M2012TXW13-DA-RO
	SPDT	Rocker .365" Wide	On-Off-On	PC Bracket	Gold	360-2214-ND	6.01	4.00	3.59	M2013TXG13-DA-RO
	SPDT	Rocker .365" Wide	On-Mom	PC Bracket	Gold	360-2258-ND	6.28	4.35	3.85	M2015TXG13-DA-RO
	SPDT	Rocker .595" Wide	Mom-Off-Mom	PC Bracket	Silver	360-2263-ND	6.25	4.33	3.83	M2018TXW13-JA-RO
	DPDT	Rocker .365" Wide	On-On	PC Bracket	Gold	360-2219-ND	7.85	5.34	4.87	M2022TXG13-DA-RO
	6	SPDT	Rocker .365" Wide	On-On	Right Angle PC	Gold	360-2251-ND	5.67	3.78	3.38
SPDT		Rocker .365" Wide	On-On	Right Angle PC	Silver	360-2253-ND	5.29	3.43	3.14	M2012TXW30-DA-RO
DPDT		Rocker .365" Wide	On-On	Right Angle PC	Silver	360-2269-ND	7.28	4.95	4.46	M2022TXW30-DA-RO
7	SPDT	Rocker .365" Wide	On-On	Vertical PC	Silver	360-2254-ND	5.75	3.83	3.43	M2012TXW41-DA-RO
	DPDT	Rocker .365" Wide	On-On	Vertical PC	Gold	360-2268-ND	9.10	6.26	5.88	M2022TXG41-DA-RO
	DPDT	Rocker .365" Wide	On-On	Vertical PC	Silver	360-2270-ND	8.06	5.72	5.21	M2022TXW41-DA-RO

More Product Available Online: www.digikey.com