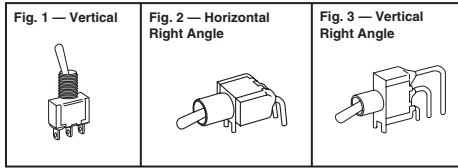


E-SWITCH™ Toggle Switches



Actuators

Bushings



Note: All switches come complete with mounting hardware.

Contact Material:

- Q (Silver):** Fixed terminal and moving contact: Silver plated over copper alloy. **Contact Rating:** 5A @ 28VAC or VDC; 2A @ 250VAC
- R (Gold):** Fixed terminal and moving contact: Copper alloy with gold plate over nickel plate. **Contact Rating:** 0.4VA maximum at 20VAC or DC maximum

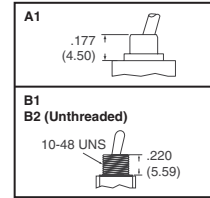
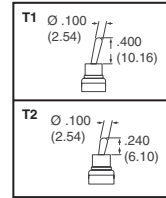
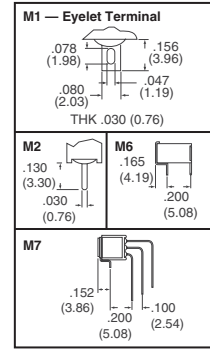


Fig.	Circuit	Switching Function	Options (see diagrams)			Contact Material	Dimensions Inch (mm)			Digi-Key Part No.	Price Each			E-Switch Part No.
			Actuator	Bushing	Termination		L x W x H				1	10	100	
200 Series — Subminiature Toggle Switches														
1	SPDT	On-On	T1	B1	M1	Q	.320 x .240 x .340	(8.13 x 6.10 x 8.64)	EG2446-ND	3.45	3.11	2.65	200MSP1T1B1M1OEH	
	SPDT	On-On	T1	B1	M2	Q	.320 x .240 x .340	(8.13 x 6.10 x 8.64)	EG2447-ND	3.45	3.11	2.65	200MSP1T1B1M2OEH	
	SPDT	On-Off-On	T1	B1	M1	Q	.320 x .240 x .340	(8.13 x 6.10 x 8.64)	EG2450-ND	4.65	4.19	3.57	200MSP3T1B1M1OEH	
	SPDT	On-Off-On	T1	B1	M2	Q	.320 x .240 x .340	(8.13 x 6.10 x 8.64)	EG2451-ND	3.88	3.49	2.98	200MSP3T1B1M2OEH	
	SPDT	Mom-Off-Mom	T1	B1	M1	Q	.320 x .240 x .340	(8.13 x 6.10 x 8.64)	EG2453-ND	4.86	4.38	3.73	200MSP4T1B1M1OEH	
	SPDT	On-Off-Mom	T1	B1	M1	Q	.320 x .240 x .340	(8.13 x 6.10 x 8.64)	EG2454-ND	4.86	4.38	3.73	200MSP5T1B1M1OEH	
	DPDT	On-On	T1	B1	M1	Q	.320 x .360 x .340	(8.13 x 9.14 x 8.64)	EG2455-ND	4.86	4.38	3.73	200MDP1T1B1M1OEH	
	DPDT	On-On	T1	B1	M2	Q	.320 x .360 x .340	(8.13 x 9.14 x 8.64)	EG2456-ND	4.06	3.65	3.11	200MDP1T1B1M2OEH	
	DPDT	On-Off-On	T1	B1	M1	Q	.320 x .360 x .340	(8.13 x 9.14 x 8.64)	EG2458-ND	5.73	5.16	4.40	200MDP3T1B1M1OEH	
	DPDT	On-Off-On	T1	B1	M2	Q	.320 x .360 x .340	(8.13 x 9.14 x 8.64)	EG2459-ND	6.22	5.60	4.78	200MDP3T1B1M2OEH	
2	SPDT	On-On	T2	B2	M6	R	.320 x .240 x .340	(8.13 x 6.10 x 8.64)	EG2448-ND	5.02	4.52	3.85	200MSP1T2B2M6RE	
	SPDT	On-On	T2	B2	M6	R	.320 x .240 x .340	(8.13 x 6.10 x 8.64)	EG2449-ND	6.70	6.04	5.14	200MSP1T2B2M7RE	
	SPDT	On-On	T2	B2	M7	R	.320 x .240 x .340	(8.13 x 6.10 x 8.64)	EG2449-ND	5.54	4.99	4.25	200MSP1T2B2M7RE	
200A Series — Process-Sealed Subminiature Toggle Switches														
1	SPDT	On-On	T1	A1	M2	R	.320 x .200 x .527	(8.13 x 5.08 x 13.39)	EG2459-ND	4.49	4.04	3.45	200AWMSP1T1A1M2RE	
	SPDT	On-Mom	T1	A1	M2	R	.320 x .200 x .527	(8.13 x 5.08 x 13.39)	EG2461-ND	5.44	4.90	4.17	200AWMSP2T1A1M2RE	
	SPDT	On-Off-On	T1	A1	M2	R	.320 x .200 x .527	(8.13 x 5.08 x 13.39)	EG2463-ND	4.50	4.05	3.45	200AWMSP3T1A1M2RE	
	DPDT	On-On	T1	A1	M2	R	.320 x .360 x .527	(8.13 x 9.14 x 13.39)	EG2465-ND	6.99	6.30	5.36	200AWMDP1T1A1M2RE	
	DPDT	On-Off-On	T1	A1	M2	R	.320 x .360 x .527	(8.13 x 9.14 x 13.39)	EG2467-ND	8.12	7.31	6.23	200AWMDP3T1A1M2RE	
	DPDT	On-Off-On	T1	A1	M6	R	.320 x .200 x .527	(8.13 x 5.08 x 13.39)	EG2460-ND	5.87	5.29	4.51	200AWMSP1T2A1M6RE	
2	SPDT	On-Off-On	T2	A1	M6	R	.320 x .200 x .527	(8.13 x 5.08 x 13.39)	EG2464-ND	6.05	5.45	4.64	200AWMSP3T2A1M6RE	
	SPDT	On-On	T2	A1	M6	R	.320 x .360 x .527	(8.13 x 9.14 x 13.39)	EG2466-ND	8.65	7.79	6.64	200AWMDP1T2A1M6RE	
	DPDT	On-Off-On	T2	A1	M6	R	.320 x .360 x .527	(8.13 x 9.14 x 13.39)	EG2468-ND	9.76	8.79	7.49	200AWMDP3T2A1M6RE	

Termination Options



NKK SWITCHES™ Process Sealed Miniature Toggle Switches



M2T Series: Interior bushing is sealed with O-ring which surrounds the actuator. Bushing and top of the housing are one molded piece, achieving the exterior seal. Ultrasonic welding is used to seal the bushing unit to the base. Terminals are epoxy sealed for safeguarding the switch at the base. **Features:** • **Electrical Capacity:** Logic Level (code G): 0.4VA maximum @ 28V AC/DC maximum. • **Dielectric Strength:** 1,000VAC minimum between contacts; 1,500VAC minimum between contacts and case. • **Mechanical Life:** 100,000 operations minimum • **Electrical Life:** 50,000 operations minimum for gold • **Operating Temperature Range:** -30°C - 85°C

B Series: Sealed body construction permits switches to be subjected to time- and money-saving automated soldering techniques. Can be safely cleaned of flux without fear of compromising operating characteristics. **Features:** • **Electrical Capacity:** Logic Level: 0.4VA maximum @ 28V AC/DC maximum • **Dielectric Strength:** 500VAC minimum • **Mechanical Life:** 100,000 operations minimum for On-On and On-Off-On • **Electrical Life:** 50,000 operations minimum • **Operating Temperature Range:** -30°C - 85°C

G3T Series: Ultra-miniature size allows high density mounting, and extremely light weight of 0.6 gram makes these switches ideal for handheld equipment. Combination of design features achieves total seal and allows automated processing techniques, including flux cleaning procedures: one-piece bushing and housing, rubber seals surrounding actuator and base, epoxy at joint of case and base, and molded-in, epoxy sealed terminals. **Features:** • **Electrical Capacity:** Logic Level: 0.4VA maximum @ 28V AC/DC maximum • **Dielectric Strength:** 500VAC minimum • **Mechanical Life:** 50,000 operations minimum • **Electrical Life:** 50,000 operations minimum • **Operating Temperature Range:** -30°C - 85°C

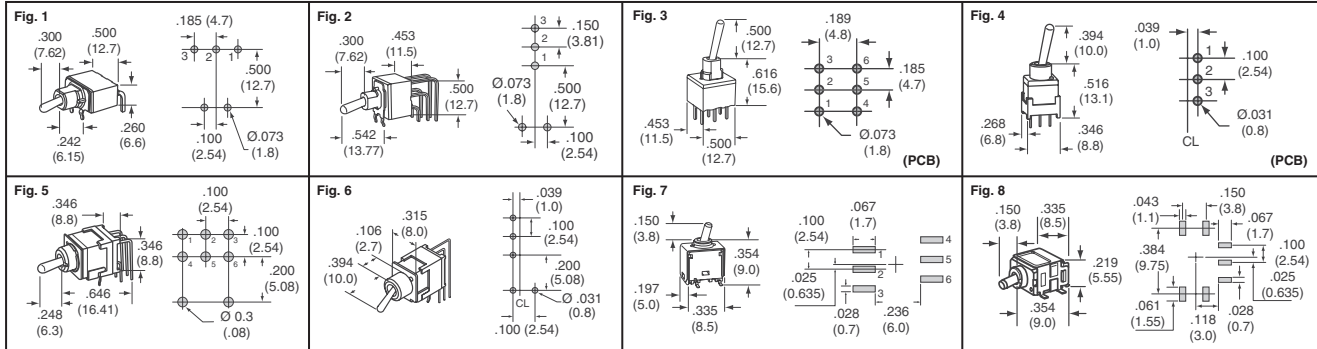


Fig.	Circuit	Switching Function	Digi-Key Part No.	Price Each			NKK Part No.
				1	25	100	
Washable Mini Toggle Switches							
1	SPDT	On-On	360-1877-ND	5.24	3.40	3.11	M2T12S4A5G30-RO
	SPDT	Mom-Off-Mom	360-1882-ND	6.08	4.05	3.63	M2T18S4A5G30-RO
	SPDT	On-On	360-1879-ND	5.24	3.40	3.11	M2T12S4A5G30-RO
	SPDT	On-Off-On	360-1880-ND*	5.51	3.67	3.29	M2T13S4A5G30-RO
2	SPDT	On-On	360-1878-ND	5.30	3.53	3.17	M2T12S4A5G40-RO
	SPDT	On-Off-On	360-1881-ND	5.77	3.85	3.45	M2T13S4A5G40-RO
	SPDT	Mom-Off-Mom	360-1883-ND	6.34	4.23	3.79	M2T18S4A5G40-RO
	DPDT	On-On	360-1884-ND	7.99	5.67	5.17	M2T22S4A5G40-RO
3	SPDT	On-On	360-1180-ND	4.82	3.01	2.76	M2T12S4A5G03
	SPDT	On-Off-On	360-1181-ND	5.13	3.33	3.04	M2T13S4A5G03
	SPDT	Mom-Off-Mom	360-1182-ND	5.51	3.67	3.29	M2T18S4A5G03
	DPDT	On-On	360-1183-ND	6.73	4.66	4.12	M2T22S4A5G03
Washable Sub-Mini Antistatic Toggle Switches							
4	SPDT	On-On	360-1012-ND	4.06	2.52	2.29	B12AP
	SPDT	On-Off-On	360-1013-ND	4.23	2.63	2.38	B13AP
	SPDT	On-Mom	360-1014-ND	4.20	2.70	2.40	B15AP
	DPDT	On-On	360-1015-ND	5.01	3.19	2.92	B22AP
	DPDT	On-Off-On	360-1016-ND	5.29	3.43	3.14	B23AP
	SPDT	On-On	360-2108-ND	4.26	2.74	2.44	B12JB-RO

Fig.	Circuit	Switching Function	Digi-Key Part No.	Price Each			NKK Part No.
				1	25	100	
4	SPDT	On-On	360-1751-ND	4.59	2.87	2.63	B12JH-RO
	SPDT	On-Off-On	360-1753-ND	4.76	2.98	2.72	B13JH-RO
5	SPDT	On-Mom	360-1754-ND	4.87	3.05	2.79	B15JH-RO
	DPDT	On-On	360-1755-ND	5.67	3.78	3.38	B22JH-RO
6	DPDT	On-Off-On	360-1756-ND	6.03	4.02	3.60	B23JH-RO
	SPDT	On-On	360-1752-ND	4.59	2.87	2.63	B12JV-RO
Washable Ultra Mini SMT Toggle Switches							
7	SPDT	On-On	360-1774-ND	5.13	3.33	3.04	G3T12AP-RO
	SPDT	On-Off-On	360-1778-ND	5.30	3.53	3.17	G3T13AP-RO
	DPDT	On-On	360-1779-ND	6.35	4.40	3.89	G3T22AP-RO

Fig.	Circuit	Switching Function	Digi-Key Part No.	Cut Tape Price Each			Digi-Key Part No.	T & R Pricing 500	NKK Part No.
				1	25	100			
Washable Ultra-Miniature SMT Toggle Switch									
8	SPDT	On-On	360-1773-1-ND	6.00	4.80	3.80	360-1773-2-ND	1400.00	G3T12AH-R-RO
	SPDT	On-Off-On	360-1775-1-ND	6.42	5.14	4.07	360-1775-2-ND	1498.00	G3T13AH-R-RO

♦ Actual Length .248" * Actual Length .500"

More Product Available Online: www.digikey.com