

Automotive Fuseholders



Fig. 1 – Horizontal Mount

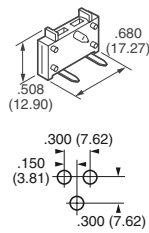


Fig. 2 – Vertical Mount

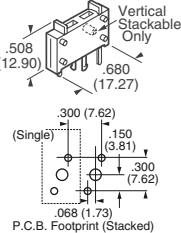


Fig. 3 – Autofuse Fuse Clip

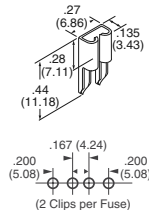
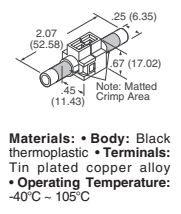


Fig. 4 – Mini Fuse Easy-Crimp Fuseholder



Materials: • Body: Black thermoplastic • Terminals: Tin plated copper alloy
• Operating Temperature: -40°C – 105°C

Mini Fuse PC Board Fuseholder Specifications:

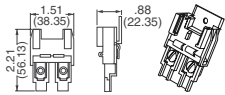
- **Terminals:** Copper alloy, tin-plated
- **Body:** Black thermoplastic (UL 94V0)
- **Electrical:** Recognized under the Components Program of Underwriters Laboratory for 15 Amperes and Certified by CSA for 10 Amperes. Three fuseholders can be mounted side by side (stacked) and operated at rated current. Contact factory for applications where more than three fuseholders will be stacked.
- **Voltage:** 32 VDC
- **Temperature Range:** -40°C – 85°C
- **PC Board Compatibility:** Designed for use with standard .062" (1.57mm) circuit board.

Fig.	Description	Digi-Key Part No.	1	10	100
1	Horizontal Mini Holder	F064-ND	1.49	1.38	1.03
2	Single or End Cap Mini Holder	F065-ND	1.49	1.38	1.03
3	Stackable Mini Holder	F066-ND	1.49	1.38	1.03
4	ATO Fuse Clip	F067-ND	.27	.25	.19
5	In-line Mini Holder	F068-ND*	1.33	1.23	.93

* 20 Amperes maximum rating, terminals accept #16 – 22AWG

Maxifuse Block:

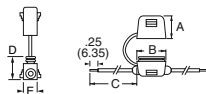
- Rated to 60 Amperes at 32V
- Interlocking block feature
- Built-in mounting bracket



Description	Digi-Key Part No.	1	100	250
Maxi Fuse Block	F1085-ND	21.27	14.73	13.09

In-Line Fuseholders:

- Rated at 32V
- Protective cover included

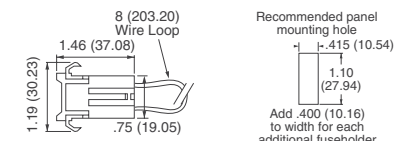


Dim.	Fuse Type - Inch (mm)		
	MINI	ATO	MAXI
A	.52 (13.21)	.97 (24.64)	1.35 (34.29)
B	.97 (24.64)	1.00 (25.40)	3.36 (85.34)
C	4.0 (101.60)	4.0 (101.60)	6.0 (152.40)
D	.60 (15.24)	.67 (17.02)	1.39 (35.31)
E	.41 (10.41)	.43 (10.92)	1.12 (28.45)

Description	AWG Wire	Amp Rtg. (max.)	Digi-Key Part No.	1	100	250
In-line Mini Holder	14	20	F1057-ND	3.72	2.58	2.30
In-line Mini Holder	12	30	F1058-ND	3.97	2.75	2.45
In-line Maxi Holder	6	60	F1059-ND	20.92	14.49	12.88
In-line ATO Holder	16	20	F1086-ND	3.39	2.35	2.09
In-line ATO Holder	12	30	F1087-ND	3.92	2.72	2.42

Panel Mount ATO Fuseholder:

- Assembled with 8" (203.2mm) wire loop, no fuse
- #14 wire/terminals rated to 20A
- #10 wire/terminals rated to 30A
- Snap mounting to panel
- Fuseholders interlock for multiple mounting.



Description	AWG Wire	Amp Rtg. (max.)	Digi-Key Part No.	1	100	250
Panel Mount Holder	14	20	F1088-ND	1.63	1.13	1.01
Panel Mount Holder	10	30	F1089-ND	2.37	1.64	1.46

In-Line Fuseholder Bayonet Knob



Universal 150145 fuseholder supplied with 15" loop of #14AWG red vinyl wire and 3 springs to accommodate all SFE size and 3AG fuses. 20 Amperes, 32V rated.

F049-ND (Littelfuse # 150145)..... \$3.21/1; \$29.64/10; \$22.30/100

The 150079 fuseholder is supplied with 19" loop of #14AWG red vinyl insulated wire intended for use with 3AG fuses up to 20 Amperes.

F1467-ND (Littelfuse # 150079) ... \$3.08/1; \$28.44/10; \$21.30/100

2AG or 5 x 20mm In-Line Fuse-holder Screw Together

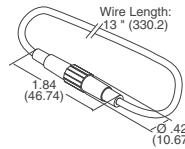


Specifications:

Use with 2AG and 5 x 20mm fuses. Maximum current ratings are 5 Amperes at 32V for 2AG, and 10 Amperes at 32V for the 5 x 20mm size fuses.

Wire: 16 AWG; color red. Molded parts: Black thermoplastic

F1468-ND (Littelfuse # 150274) \$2.51/1; \$23.19/10; \$17.93/100



Universal In-Line Fuseholder Twist-Lock



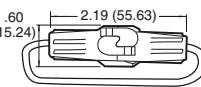
Supplied with 8" (20.32cm) loop of #14 AWG red vinyl insulated wire and two springs.

Electrical: Intended for use at 32V or less with fuses rated up to 20 Amperes when the proper spring is installed for fuse size.

Molded Parts: Black thermoplastic (UL 94V2). Body halves have a .14" (3.56mm) diameter hole for insulated wire.

Ambient Temperature: -40° – 75°C.

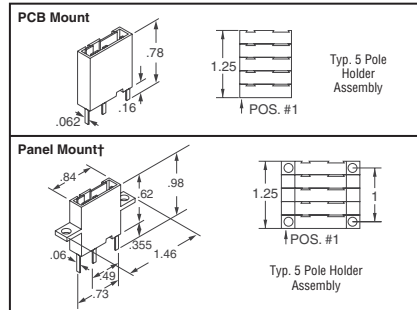
F062-ND (Littelfuse #155100) \$2.42/1; \$22.35/10; \$16.73/100



Gangable Alarm Indicating Fuseholder



Dimensions in inches



Specifications: • **Electrical:** Rated at 15 Amperes for any voltage up to 125VAC, 125 VDC • **Molded Bodies:** Black, Thermoplastic (UL 94V0) • **Terminals:** Alarm Terminal – Brass, tin-plated, wire-wrap type; Fuse Terminal – Beryllium copper, tin-plated

No. of Poles	Digi-Key Part No. PCB Mt.	Digi-Key Part No. Panel Mt.	1	Price Each 10	100
1	F1400-ND	F1420-ND	1.90	1.76	1.32
2	F1401-ND	F1421-ND	3.81	3.52	2.64

No. of Poles	Digi-Key Part No. PCB Mt.	Digi-Key Part No. Panel Mt.	Price Each		
			1	10	100
4	F1403-ND	F1423-ND	7.61	7.02	5.27
5	F1404-ND	F1424-ND	9.51	8.78	6.59
6	F1405-ND	F1425-ND	11.41	10.54	7.90
8	F1407-ND	F1427-ND	15.22	14.05	10.54
9	F1408-ND	F1428-ND	17.12	15.81	11.86
10	F1409-ND	F1429-ND	19.02	17.56	13.17
12	F1411-ND	F1431-ND	22.82	21.07	15.81
13	F1412-ND	F1432-ND	24.73	22.83	17.12
15	F1414-ND	F1434-ND	28.53	26.34	19.76
16	F1415-ND	F1435-ND	30.43	28.09	21.07
17	F1416-ND	F1436-ND	32.33	29.85	22.39
18	F1417-ND	F1437-ND	34.23	31.60	23.70
19	F1418-ND	F1438-ND	36.13	33.36	25.02
20	F1419-ND	F1439-ND	38.03	35.11	26.34

† On Panel Mount, first and last position have mounting holes only.

KEYSTONE Fuseholders



For 1/4" (6.35mm)

Assembled with .125" (3.18mm) thick black phenolic

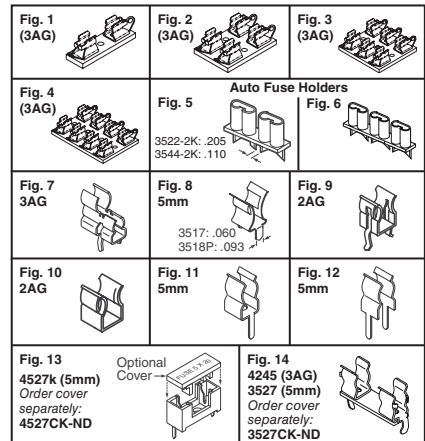
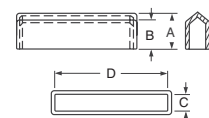


Fig.	Digi-Key Part No.	1	10	100	500
1	3536K-ND	1.49	13.80	83.00	340.00
2	3537K-ND	2.45	22.62	148.00	610.00
3	3538K-ND	3.59	33.15	208.00	895.00
4	3539K-ND	4.35	40.64	274.00	1185.00
5	3522-2K-ND	.91	7.92	46.45	210.25
6	3544-2K-ND	.95	8.32	48.75	279.50
7	3522-3K-ND	1.20	10.52	61.50	372.50
8	3517K-ND	—	2.80	13.60	47.50
8	3518PK-ND	—	2.12	11.20	47.50
9	3521K-ND	—	1.80	9.20	40.75
10	3561K-ND	—	1.80	9.20	40.75
11	3520K-ND	—	1.56	7.95	36.00
12	3519K-ND	—	1.54	7.55	34.75
13	4527K-ND	—	5.00	40.60	184.50
—	4527CK-ND	—	2.38	16.95	77.25
14	3527K-ND	1.38	12.07	66.00	275.00
14	4245K-ND	1.77	15.52	82.50	—
—	3527CK-ND	.44	4.11	30.75	—

'Quick Fit' Fuse Covers



- For use on fuse terminal blocks or PCB-mounted fuse clips
- UL recognized E81260, rating 105°C, 600V
- Material: Flexible PVC, RMS-55
- Color: Transparent blue



Dim.	Digi-Key Part No.			
	RP613-ND	RP614-ND	RP615-ND	RP616-ND
A	.50 (12.70)	.50 (12.70)	.63 (16.00)	.50 (12.70)
B	.39 (9.91)	.39 (9.91)	.58 (14.73)	.39 (9.91)
C	.24 (6.10)	.28 (7.11)	.32 (8.13)	.32 (8.13)
D	.79 (20.07)	1.18 (29.97)	1.26 (32.00)	1.42 (36.07)

Fuse Type	Digi-Key Part No.	Price Each 25	100	Richco Part No.
Metric	RP613-ND	.57	.49	840620
Metric	RP614-ND	.92	.79	840730
Metric	RP615-ND	.97	.83	840832
Standard	RP616-ND	1.23	1.06	840836

More Product Available Online: www.digikey.com

Toll-Free: 1-800-344-4539 • Phone 218-681-6674 • Fax: 218-681-3380

(T083) 1963