

EVM-EAG / EAS / EGG / EGS Series:

Dustproof Type with Knob Protection: Features: • No readjustment needed through knob protected construction • Excellent mounting efficiency due to cubic shape • Automated adjustment available. Face side: Standard cross slot screwdriver suited to automatic adjustment applicable. Back side: Penetrated slot for easy driving. **Applications:** • Audio visual equipment, home appliances.

Specifications: • Rotation Torque: 20 to 300gf • Stopper Strength: 500gf • Rotation Angle: 210° ± 20°. • TCR: ±200ppm (-30°C - 100°C) • Nominal Total Resistance & Tolerance: ±25% • Power Rating & Maximum Operating Voltage: 0.3W, 100V (70°C) • Residual Resistance: 10Ω maximum for R<1kΩ, 1% maximum for 1kΩ<R<100kΩ, 5% maximum for R≥100kΩ • Soldering Heat: 5s maximum 240 to 280°C, 3s maximum 280 to 300°C • Rotation Life: 50 turns

EVM-EYG and EVM-EYS Series:

Specifications: • Rotation Torque: 20 to 300gf • Stopper Strength: 500gf • Rotation Angle: 210° ± 20°. • TCR: ±100ppm (-40°C - 120°C) • Nominal Total Resistance & Tolerance: ±20% • Power Rating and Maximum Operating Voltage: 0.5W, 200V (70°C) • Residual Resistance: 2% • Soldering Heat: 260°C ±5°C for 5 ± 1 Second • Rotation Life: 50 turns

EVM-AAS Series:

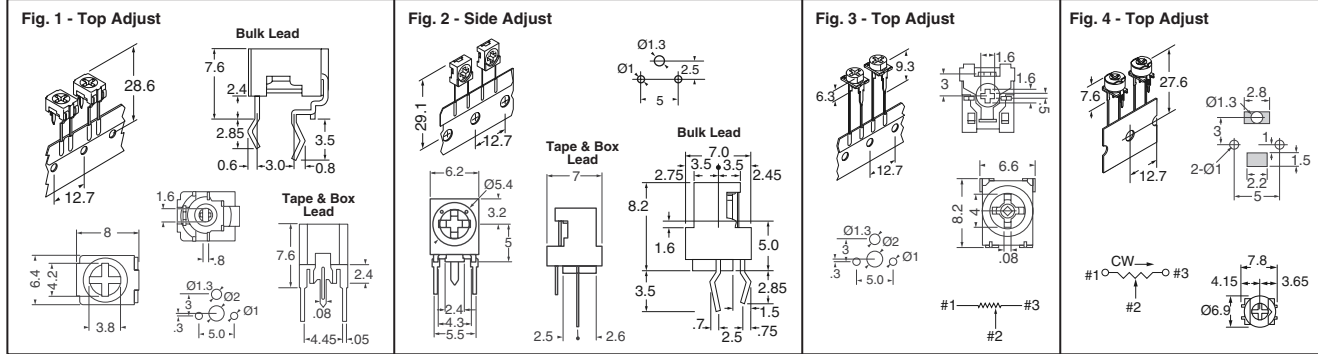
Specifications: • Resistance Range: 1000 - 1mΩ • Tolerance: ±25% • Taper: Linear • Residual Resistance: 2% • Wattage Rating: 0.3W • Volt Rating: 100V • TCR: ±200ppm • Torque: 20 to 300gf • Stopper Strength: 350gf • Rotational Angle: 240°C ± 20°C • Operational Temperature: -30°C - 100°C

EVM-F6S Series:

Features: • Higher performance dustproof type • Excellent reliability for heat and humidity • High speed radial automatic mounting and excellent mounting performance

Applications: • Audio visual equipment, home appliances

Specifications: • Rotation Torque: 20 to 300gf • Stopper Strength: 350gf • Rotation Angle: 240°C ± 20°. • TCR: ±300ppm (-30°C - 100°C) • Nominal Total Resistance & Tolerance: ±25% • Power Rating & Maximum Operating Voltage: 0.3W, 100V (70°C) • Residual Resistance: 10Ω maximum for R<1kΩ, 1% maximum for 1kΩ<R<100kΩ, 5% maximum for R≥100kΩ • Soldering Heat: 5s maximum 240°C - 280°C, 3s maximum 280°C - 300°C • Rotation Life: 50 turns.



EVM-EAG Series — Top Adjust (Bulk)

Fig.	Res. (Ω)	Digi-Key Part No.	Pricing			Panasonic Part No.	
			1	10	500		
1	100	EAG12BK-ND	.73	6.05	55.66	242.00	EVM-EAGA00B12
	200	EAG22BK-ND	.73	6.05	55.66	242.00	EVM-EAGA00B22
	500	EAG52BK-ND	.73	6.05	55.66	242.00	EVM-EAGA00B52
	1K	EAG13BK-ND	.73	6.05	55.66	242.00	EVM-EAGA00B13
	2K	EAG23BK-ND	.73	6.05	55.66	242.00	EVM-EAGA00B23
	5K	EAG53BK-ND	.73	6.05	55.66	242.00	EVM-EAGA00B53
	10K	EAG14BK-ND	.73	6.05	55.66	242.00	EVM-EAGA00B14
	20K	EAG24BK-ND	.73	6.05	55.66	242.00	EVM-EAGA00B24
	50K	EAG54BK-ND	.73	6.05	55.66	242.00	EVM-EAGA00B54
	100K	EAG15BK-ND	.73	6.05	55.66	242.00	EVM-EAGA00B15
	200K	EAG25BK-ND	.73	6.05	55.66	242.00	EVM-EAGA00B25
	500K	EAG55BK-ND	.73	6.05	55.66	242.00	EVM-EAGA00B55
	1M	EAG16BK-ND	.73	6.05	55.66	242.00	EVM-EAGA00B16

EVM-EGG Series — Side Adjust (Bulk)

Fig.	Res. (Ω)	Digi-Key Part No.	Pricing			Panasonic Part No.	
			1	10	500		
2	100	EGG12BK-ND	.71	5.88	54.05	235.00	EVM-EGGA00B12
	200	EGG22BK-ND	.71	5.88	54.05	235.00	EVM-EGGA00B22
	500	EGG52BK-ND	.71	5.88	54.05	235.00	EVM-EGGA00B52
	1K	EGG13BK-ND	.71	5.88	54.05	235.00	EVM-EGGA00B13
	2K	EGG23BK-ND	.71	5.88	54.05	235.00	EVM-EGGA00B23
	5K	EGG53BK-ND	.71	5.88	54.05	235.00	EVM-EGGA00B53
	10K	EGG14BK-ND	.71	5.88	54.05	235.00	EVM-EGGA00B14
	20K	EGG24BK-ND	.71	5.88	54.05	235.00	EVM-EGGA00B24
	50K	EGG54BK-ND	.71	5.88	54.05	235.00	EVM-EGGA00B54
	100K	EGG15BK-ND	.71	5.88	54.05	235.00	EVM-EGGA00B15
	200K	EGG25BK-ND	.71	5.88	54.05	235.00	EVM-EGGA00B25
	500K	EGG55BK-ND	.71	5.88	54.05	235.00	EVM-EGGA00B55
	1M	EGG16BK-ND	.71	5.88	54.05	235.00	EVM-EGGA00B16

EVM-EAS Series — Top Adjust (Tape)

Fig.	Res. (Ω)	Digi-Key Part No.	Cut Tape Pricing			Tape and Box Pricing		Panasonic Part No.
			1	10	100	1,000	5,000	
1	100	EAS12CT-ND	.71	5.88	54.05	362.00	336.00/M	EVM-EASA00B12
	200	EAS22CT-ND	.71	5.88	54.05	362.00	336.00/M	EVM-EASA00B22
	500	—	—	—	—	362.00	336.00/M	EVM-EASA00B52
	1K	EAS13CT-ND	.71	5.88	54.05	362.00	336.00/M	EVM-EASA00B13
	2K	EAS23CT-ND	.71	5.88	54.05	362.00	336.00/M	EVM-EASA00B23
	5K	EAS53CT-ND	.71	5.88	54.05	362.00	336.00/M	EVM-EASA00B53
	10K	—	—	—	—	362.00	336.00/M	EVM-EASA00B14
	20K	EAS24CT-ND	.71	5.88	54.05	362.00	336.00/M	EVM-EASA00B24
	50K	—	—	—	—	362.00	336.00/M	EVM-EASA00B54
	100K	—	—	—	—	362.00	336.00/M	EVM-EASA00B15
	200K	—	—	—	—	362.00	336.00/M	EVM-EASA00B25
	500K	EAS55CT-ND	.71	5.88	54.05	362.00	336.00/M	EVM-EASA00B55
	1M	EAS16CT-ND	.71	5.88	54.05	362.00	336.00/M	EVM-EASA00B16

EVM-EGS Series — Side Adjust (Tape)

Fig.	Res. (Ω)	Digi-Key Part No.	Cut Tape Pricing			Tape and Box Pricing		Panasonic Part No.
			1	10	100	1,000	5,000	
2	100	EGS12CT-ND	.73	6.05	55.66	372.00	346.00/M	EVM-EGSA00B12
	200	EGS22CT-ND	.73	6.05	55.66	372.00	346.00/M	EVM-EGSA00B22
	500	EGS52CT-ND	.73	6.05	55.66	372.00	346.00/M	EVM-EGSA00B52
	1K	EGS13CT-ND	.73	6.05	55.66	372.00	346.00/M	EVM-EGSA00B13
	2K	EGS23CT-ND	.73	6.05	55.66	372.00	346.00/M	EVM-EGSA00B23
	5K	EGS53CT-ND	.73	6.05	55.66	372.00	346.00/M	EVM-EGSA00B53
	10K	—	—	—	—	372.00	346.00/M	EVM-EGSA00B14
	20K	EGS24CT-ND	.73	6.05	55.66	372.00	346.00/M	EVM-EGSA00B24
	50K	EGS54CT-ND	.73	6.05	55.66	372.00	346.00/M	EVM-EGSA00B54
	100K	—	—	—	—	372.00	346.00/M	EVM-EGSA00B15
	200K	—	—	—	—	372.00	346.00/M	EVM-EGSA00B25
	500K	EGS55CT-ND	.73	6.05	55.66	372.00	346.00/M	EVM-EGSA00B55
	1M	—	—	—	—	372.00	346.00/M	EVM-EGSA00B16

EVM-EYG Series — High Grade, Top Adjust (Bulk)

Fig.	Res. (Ω)	Digi-Key Part No.	Pricing			Panasonic Part No.	
			1	10	500		
1	2K	EYG23BK-ND	.79	6.58	60.49	263.00	EVM-EYGA00B23
	20K	EYG24BK-ND	.79	6.58	60.49	263.00	EVM-EYGA00B24
	50K	EYG54BK-ND	.79	6.58	60.49	263.00	EVM-EYGA00B54
	100K	EYG15BK-ND	.79	6.58	60.49	263.00	EVM-EYGA00B15
	200K	EYG25BK-ND	.79	6.58	60.49	263.00	EVM-EYGA00B25
	500K	EYG55BK-ND	.79	6.58	60.49	263.00	EVM-EYGA00B55
1M	EYG16BK-ND	.79	6.58	60.49	263.00	EVM-EYGA00B16	

EVM-F6S Series — Top Adjust (Tape)

Fig.	Res. (Ω)	Digi-Key Part No.	Cut Tape Pricing			Tape and Box Pricing		Panasonic Part No.
			1	10	100	1,000	5,000	
3	1K	—	—	—	—	—	—	EVM-F6SA00B13
	50K	F6SA54CT-ND	.38	3.28	27.20	—	—	EVM-F6SA00B54
	200K	F6SA25CT-ND	.38	3.28	27.20	—	—	EVM-F6SA00B25
	500K	F6SA55CT-ND	.38	3.28	27.20	213.00	197.00/M	EVM-F6SA00B55

EVM-EYS Series — High Grade, Top Adjust (Tape)

Fig.	Res. (Ω)	Digi-Key Part No.	Tape and Box Pricing			Panasonic Part No.
			1,000	5,000	10,000	
1	2K	EYS23TB-ND	405.00	375.00/M	351.00/M	EVM-EYSA00B23
	5K	EYS53TB-ND	405.00	375.00/M	351.00/M	EVM-EYSA00B53
	10K	EYS14TB-ND	405.00	375.00/M	351.00/M	EVM-EYSA00B14
	20K	EYS24TB-ND	405.00	375.00/M	351.00/M	EVM-EYSA00B24
	50K	EYS54TB-ND	405.00	375.00/M	351.00/M	EVM-EYSA00B54
	200K	EYS25TB-ND	405.00	375.00/M	351.00/M	EVM-EYSA00B25
	500K	EYS55TB-ND	405.00	375.00/M	351.00/M	EVM-EYSA00B55
	1M	EYS16TB-ND	405.00	375.00/M	351.00/M	EVM-EYSA00B16

EVM-AAS Series — Top Adjust (Tape)

Fig.	Res. (Ω)	Digi-Key Part No.	Cut Tape Pricing			Tape & Box Pricing		Panasonic Part No.
			1	10	100	1,000	5,000	
4	100	AAS12CT-ND	.50	4.15	38.18	—	—	EVM-AASA00B12
	200	AAS22CT-ND	.50	4.15	38.18	—	—	EVM-AASA00B22
	500	AAS52CT-ND	.50	4.15	38.18	—	—	EVM-AASA00B52
	1K	AAS13CT-ND	.50	4.15	38.18	—	—	EVM-AASA00B13
	2K	AAS23CT-ND	.50	4.15	38.18	—	—	EVM-AASA00B23
	5K	AAS53CT-ND	.50	4.15	38.18	—	—	EVM-AASA00B53
	10K	AAS14CT-ND	.50	4.15	38.18	—	—	EVM-AASA00B14
	20K	AAS24CT-ND	.50	4.15	38.18	—	—	EVM-AASA00B24
	50K	AAS54CT-ND	.50	4.15	38.18	—	—	EVM-AASA00B54
	100K	AAS15CT-ND	.50	4.15	38.18	—	—	EVM-AASA00B15
	200K	AAS25CT-ND	.50	4.15	38.18	—	—	EVM-AASA00B25
	500K	AAS55CT-ND	.50	4.15	38.18	—	—	EVM-AASA00B55
	1M	AAS16CT-ND	.50	4.15	38.18	—	—	EVM-AASA00B16

♦ RoHS Compliant

More Product Available Online: www.digikey.com

Toll-Free: 1-800-344-4539 • Phone 218-681-6674 • Fax: 218-681-3380

Panasonic® Ceramic Trimmer Potentiometers

Series EVM-L4G, EVM-L1G, EVM-5AG, and EVM-4LG

Specifications:

• Resistance Range: 100Ω to 1MΩ • Taper: Linear • Tolerance: 25% • Residual: EVM-L4G and EVM-L1G: 5%; EVM-5AG and EVM-4LG: 2% • Wattage Rating: EVM-L4G and EVM-L1G: .2W; EVM-5AG and EVM-4LG: .3W • Voltage Rating: EVM-L4G and EVM-L1G: 50V; EVM-5AG and EVM-4LG: 100V • TCR: EVM-L4G and EVM-L1G: ±300ppm; EVM-5AG and EVM-4LG: ±200ppm • Torque: 20-250 gf • Stopper Strength: EVM-L4G and EVM-L1G: 400gf; EVM-5AG and EVM-4LG: 300gf • Angle of Rotation: 200° ±20° • Operating Temperature: -30°C - 100°C

Fig. 1 — 4mm, Vertical

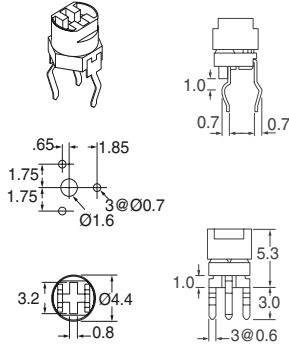


Fig. 2 — 4mm, Right Angle

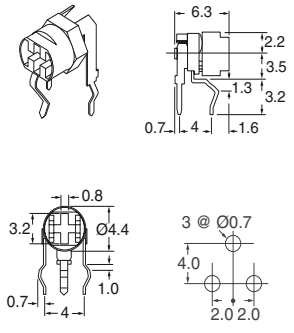


Fig. 3 — 5mm, Vertical

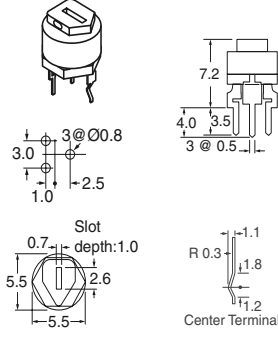


Fig. 4 — 6mm, Vertical

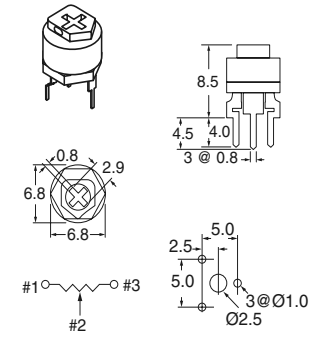


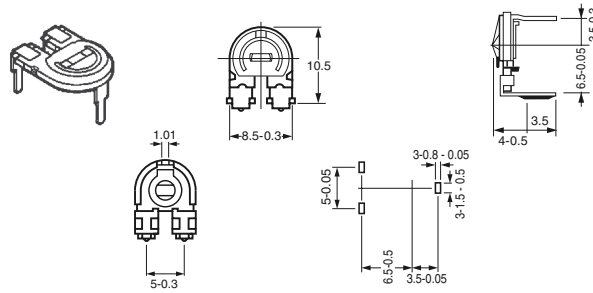
Fig.	Res. (Ω)	Digi-Key Part No.	Pricing				Panasonic Part No.
			1	10	100	500	
EVM-L4G Series — 4mm, Vertical, Top Adjust							
1	2K	L4G23BK-ND	.54	5.01	41.12	192.75	EVM-L4GA00B23
	10K	L4G14BK-ND	.54	5.01	41.12	192.75	EVM-L4GA00B14
	100K	L4G15BK-ND	.54	5.01	41.12	192.75	EVM-L4GA00B15
	200K	L4G25BK-ND	.54	5.01	41.12	192.75	EVM-L4GA00B25
	500K	L4G55BK-ND	.54	5.01	41.12	192.75	EVM-L4GA00B55
	1M	L4G16BK-ND	.54	5.01	41.12	192.75	EVM-L4GA00B16
EVM-L1G Series — 4mm, Right Angle, Side Adjust							
2	100	L1G12BK-ND	.58	5.36	44.00	206.25	EVM-L1GA00B12
	200	L1G22BK-ND	.58	5.36	44.00	206.25	EVM-L1GA00B22
	500	L1G52BK-ND	.58	5.36	44.00	206.25	EVM-L1GA00B52
	1K	L1G13BK-ND	.58	5.36	44.00	206.25	EVM-L1GA00B13

Fig.	Res. (Ω)	Digi-Key Part No.	Pricing				Panasonic Part No.
			1	10	100	500	
2	5K	L1G53BK-ND	.58	5.36	44.00	206.25	EVM-L1GA00B53
	10K	L1G14BK-ND	.58	5.36	44.00	206.25	EVM-L1GA00B14
	20K	L1G24BK-ND	.83	6.88	63.25	275.00	EVM-L1GA00B24
	100K	L1G15BK-ND	.58	5.36	44.00	206.25	EVM-L1GA00B15
	200K	L1G25BK-ND	.58	5.36	44.00	206.25	EVM-L1GA00B25
	1M	L1G16BK-ND	.58	5.36	44.00	206.25	EVM-L1GA00B16
EVM-5AG Series — 5mm, Vertical, Top Adjust							
3	100K	5AG15BK-ND	.50	4.64	38.08	178.50	EVM-5AGA00B15
	200K	5AG25BK-ND	.50	4.64	38.08	178.50	EVM-5AGA00B25
EVM-4LG Series — 6mm, Vertical, Top Adjust							
4	100	4LG12BK-ND	.41	3.84	31.52	147.75	EVM-4LGA00B12
	500K	4LG55BK-ND	.41	3.84	31.52	147.75	EVM-4LGA00B55

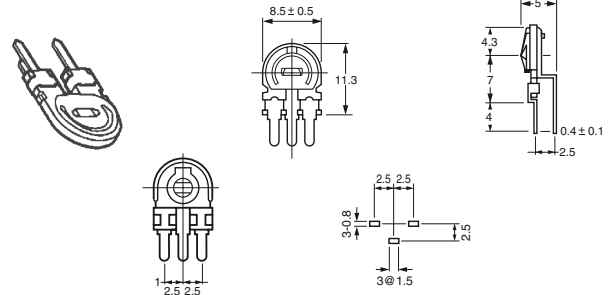
G

8mm Trimmer Potentiometers EVN-Series

K4A Series



K0A Series



Specifications:

• Resistance Range: 300 to 2MΩ • Taper: Linear • Tolerance: ±30% • Working Voltage: 200V maximum • Power Rating: 0.1 W/50°C • Residual Resistance: Up to 1kΩ: 10Ω maximum Over 1kΩ: 5% of total resistance • Rotation Angle: 260° ± 20° • Rotation Torque: 0.4 to 4.2 in-oz. • Stop Strength: 1 inch/pound • Operating Temperature: -25°C - 75°C

Res. (Ω)	Digi-Key Part No. Laydown Version	Digi-Key Part No. Standup Version	Pricing						Panasonic Part No. Laydown Version	Panasonic Part No. Standup Version
			1	10	100	1,000	5,000	10,000		
300	—	K0A32-ND	.22	2.02	16.56	144.90	—	—	—	EVN-64AA00B32
2K	K4A23-ND	K0A23-ND	.22	2.02	16.56	144.90	134.55/M	124.20/M	EVN-65AA00B23	EVN-64AA00B23

More Product Available Online: www.digkey.com

Toll-Free: 1-800-344-4539 • Phone 218-681-6674 • Fax: 218-681-3380