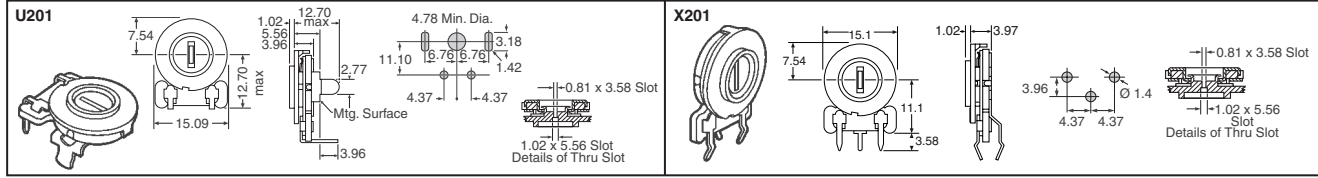


CTS 15.08mm Trimmer Potentiometers Series 201

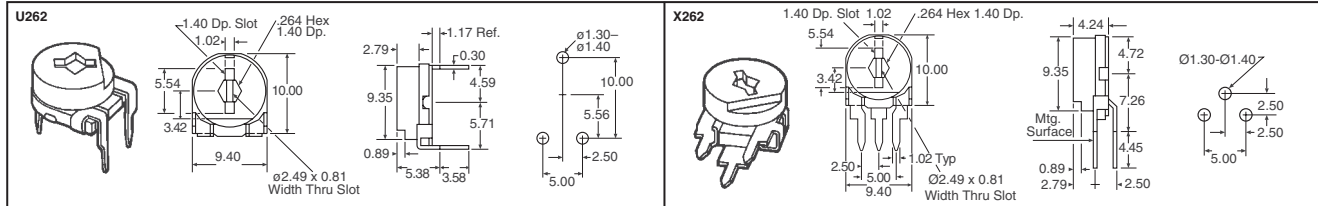


- Features:**
- Miniature size — knob 15.08mm diameter
 - Rim to guide screwdriver
 - Printed circuit mounting with knob parallel or perpendicular to printed circuit board
 - Wide resistance range
 - Knob slotted for front or rear screwdriver adjustment
 - Reliable CTS composition resistance element
 - Press fit self-supporting mounting
- Electrical and Mechanical Specifications:**
- **Resistance Range:** 100Ω through 1MΩ
 - **Resistance Tolerance:** ±20%
 - **Power Rating, Watts:** Below 5000Ω — 1/4 watt @ 40°C; 5000Ω and above — 1/4 watt @ 55°C
 - **Voltage Rating:** 350VDC
 - **Resistance Tapers:** Linear
 - **Adjusting Knob Information:** Blue nylon knob, 15.08mm diameter, slotted for front or rear screwdriver adjustment with rim to guide screwdriver.
 - **Angle of Rotation:** Total rotation — 260° ± 5°

Res. Ω	Digi-Key Part No. Laydown Version	Digi-Key Part No. Standup Version	Price Each					CTS Part No. Laydown Version	CTS Part No. Standup Version
			1	10	100	500	1,000		
100	201UR101B-ND	201XR101B-ND	.50	.46	.42	.33	.27	201UR101B	201XR101B
250	201UR251B-ND	201XR251B-ND	.50	.46	.42	.33	.27	201UR251B	201XR251B
500	201UR501B-ND	201XR501B-ND	.50	.46	.42	.33	.27	201UR501B	201XR501B
1K	201UR102B-ND	201XR102B-ND	.50	.46	.42	.33	.27	201UR102B	201XR102B
2.5K	201UR252B-ND	201XR252B-ND	.50	.46	.42	.33	.27	201UR252B	201XR252B
5K	201UR502B-ND	201XR502B-ND	.50	.46	.42	.33	.27	201UR502B	201XR502B
10K	201UR103B-ND	201XR103B-ND	.50	.46	.42	.33	.27	201UR103B	201XR103B
25K	201UR253B-ND	201XR253B-ND	.50	.46	.42	.33	.27	201UR253B	201XR253B
50K	201UR503B-ND	201XR503B-ND	.50	.46	.42	.33	.27	201UR503B	201XR503B
100K	201UR104B-ND	201XR104B-ND	.50	.46	.42	.33	.27	201UR104B	201XR104B
250K	201UR254B-ND	201XR254B-ND	.50	.46	.42	.33	.27	201UR254B	201XR254B
500K	201UR504B-ND	201XR504B-ND	.50	.46	.42	.33	.27	201UR504B	201XR504B
1M	201UR105B-ND	201XR105B-ND	.50	.46	.42	.33	.27	201UR105B	201XR105B

◆ RoHS Compliant

10mm Trimmer Potentiometers Series 262



- Features:**
- Miniature size
 - Adjustment knob slotted for front or rear screwdriver adjustment
 - PC mounting with knob parallel or perpendicular to printed circuit board
 - Low height profile
 - Wide resistance range
 - Reliable screened CTS composition element
- Electrical and Mechanical Specifications:**
- **Resistance Range:** Standard — 500Ω through 1MΩ
 - **Resistance Tolerance:** Standard — ±20%
 - **Power Rating, Watts:** 0.15 watts @ 40°C
 - **Voltage Rating:** Operating maximum — 350VDC
 - **Resistance Tapers:** Linear
 - **Adjustment Knob:** Color coded nylon knob with hex hole for top adjustment plus slot for either top or bottom screwdriver adjustment
 - **Angle of Rotation:** Total rotation — 265° ± 5%
 - **Rotational Torque:** .3 to 5 inch ounces
 - **Stop Strength:** 16 inch ounces

Res. Ω	Color	Digi-Key Part No. Laydown Version	Digi-Key Part No. Standup Version	Price Each					CTS Part No. Laydown Version	CTS Part No. Standup Version
				1	10	100	500	1,000		
500	Green	U262R501B-ND	X262R501B-ND	.51	.48	.43	.34	.28	U262R501B	X262R501B
1K	Yellow	U262R102B-ND	X262R102B-ND	.51	.48	.43	.34	.28	U262R102B	X262R102B
2.5K	Red	U262R252B-ND	X262R252B-ND	.51	.48	.43	.34	.28	U262R252B	X262R252B
5K	Blue	U262R502B-ND	X262R502B-ND	.51	.48	.43	.34	.28	U262R502B	X262R502B
10K	White	U262R103B-ND	X262R103B-ND	.51	.48	.43	.34	.28	U262R103B	X262R103B
25K	Black	U262R253B-ND	X262R253B-ND	.51	.48	.43	.34	.28	U262R253B	X262R253B
50K	Orange	U262R503B-ND	X262R503B-ND	.51	.48	.43	.34	.28	U262R503B	X262R503B
100K	Gray	U262R104B-ND	X262R104B-ND	.51	.48	.43	.34	.28	U262R104B	X262R104B
250K	Violet	U262R254B-ND	X262R254B-ND	.51	.48	.43	.34	.28	U262R254B	X262R254B
500K	Brown	U262R504B-ND	X262R504B-ND	.51	.48	.43	.34	.28	U262R504B	X262R504B
1M	Lt. Blue	U262R105B-ND	X262R105B-ND	.51	.48	.43	.34	.28	U262R105B	X262R105B

◆ RoHS Compliant

Two Axis, Ministick and Micro-stick (Joystick) Controller Series 252, 253 and 254



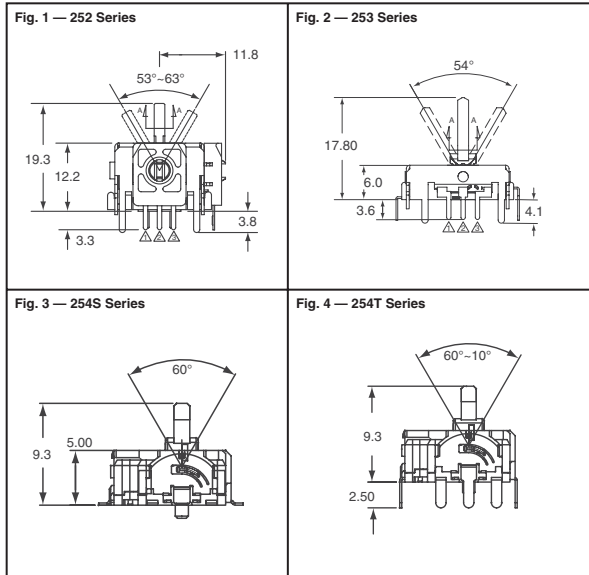
SPECIFICATIONS:

Controller without Switch: Resistance Tolerance: Standard: ±20%
 Insulation Resistance: 100MΩ minimum @ 250VDC Power Rating: 0.0125 watt Maximum Operating Voltage: Maximum 50VAC or 5VDC
 Angle of Rotation: 60° maximum Life: 1,000,000 cycles

Controller with Momentary Switch: Contact Resistance: 100mΩ maximum Dielectric Strength: 250VAC 50/60 Hz for 1 minute Insulation Resistance: 100MΩ minimum @ 100VDC Operational Force: 252 and 254 Series: 800gf; 253 Series: 1200gf Power Rating: 253 and 254 Series: 5VDC 5mA maximum; 252 Series: 12VDC 50mA maximum Travel: 0.5 +0.5 -0.4mm Life: 252 and 253 Series: 500,000 cycles; 254 Series: 200,000 cycles

Compact Size		
Series	Dimensions (mm)	
252	20 x 21 x 13	
253	20 x 18 x 6	
254	11 x 11 x 5	

Fig.	Res. Ω	Description	Digi-Key Part No.	Price Each			CTS Part No.
				1	10	100	
1	10K	Controller without Switch	252A103B60NA-ND	5.74	5.33	5.18	4.15
	10K	Controller with Switch	252A103B60NB-ND	6.09	5.66	5.53	4.43
	100K	Controller without Switch	252A104B60NA-ND	5.74	5.33	5.18	4.15
	100K	Controller with Switch	252A104B60NB-ND	6.09	5.66	5.53	4.43
2	10K	Controller with Switch	253A103B45NB-ND	6.04	5.61	5.44	4.41
	10K	Controller without Switch	253A103B45NA-ND	5.81	5.40	5.23	4.24
	100K	Controller with Switch	253A104B45NB-ND	6.04	5.61	5.44	4.41
	100K	Controller without Switch	253A104B45NA-ND	5.81	5.40	5.23	4.24
3	10K	Controller without Switch	254SA103B50A-ND	12.28	11.41	11.06	8.95
	10K	Controller with Switch	254SA103B50B-ND	13.18	12.24	11.87	9.61
	100K	Controller without Switch	254SA104B50A-ND	12.68	11.78	11.41	9.24
	100K	Controller with Switch	254SA104B50B-ND	13.58	12.61	12.23	9.90
4	10K	Controller without Switch	254TA103B50A-ND	11.77	10.94	10.60	8.58
	10K	Controller with Switch	254TA103B50B-ND	12.68	11.78	11.41	9.24
	100K	Controller without Switch	254TA104B50A-ND	12.17	11.31	10.96	8.87
	100K	Controller with Switch	254TA104B50B-ND	13.08	12.15	11.77	9.53



Note: For Additional Specifications, please see Manufacturer's Data Sheet.

More Product Available Online: www.digkey.com