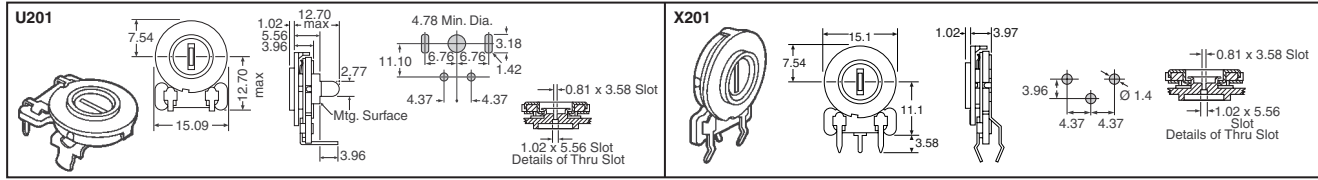


CTS 15.08mm Trimmer Potentiometers Series 201

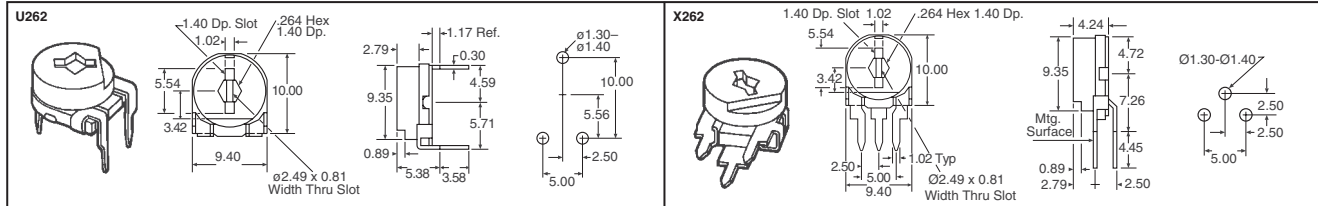


- Features:**
- Miniature size — knob 15.08mm diameter
 - Rim to guide screwdriver
 - Printed circuit mounting with knob parallel or perpendicular to printed circuit board
 - Wide resistance range
 - Knob slotted for front or rear screwdriver adjustment
 - Reliable CTS composition resistance element
 - Press fit self-supporting mounting
- Electrical and Mechanical Specifications:**
- **Resistance Range:** 100Ω through 1MΩ
 - **Resistance Tolerance:** ±20%
 - **Power Rating, Watts:** Below 5000Ω — 1/4 watt @ 40°C; 5000Ω and above — 1/4 watt @ 55°C
 - **Voltage Rating:** 350VDC
 - **Resistance Tapers:** Linear
 - **Adjusting Knob Information:** Blue nylon knob, 15.08mm diameter, slotted for front or rear screwdriver adjustment with rim to guide screwdriver.
 - **Angle of Rotation:** Total rotation — 260° ± 5°

Res. Ω	Digi-Key Part No. Laydown Version	Digi-Key Part No. Standup Version	Price Each					CTS Part No. Laydown Version	CTS Part No. Standup Version
			1	10	100	500	1,000		
100	201UR101B-ND	201XR101B-ND	.50	.46	.42	.33	.27	201UR101B	201XR101B
250	201UR251B-ND	201XR251B-ND	.50	.46	.42	.33	.27	201UR251B	201XR251B
500	201UR501B-ND	201XR501B-ND	.50	.46	.42	.33	.27	201UR501B	201XR501B
1K	201UR102B-ND	201XR102B-ND	.50	.46	.42	.33	.27	201UR102B	201XR102B
2.5K	201UR252B-ND	201XR252B-ND	.50	.46	.42	.33	.27	201UR252B	201XR252B
5K	201UR502B-ND	201XR502B-ND	.50	.46	.42	.33	.27	201UR502B	201XR502B
10K	201UR103B-ND	201XR103B-ND	.50	.46	.42	.33	.27	201UR103B	201XR103B
25K	201UR253B-ND	201XR253B-ND	.50	.46	.42	.33	.27	201UR253B	201XR253B
50K	201UR503B-ND	201XR503B-ND	.50	.46	.42	.33	.27	201UR503B	201XR503B
100K	201UR104B-ND	201XR104B-ND	.50	.46	.42	.33	.27	201UR104B	201XR104B
250K	201UR254B-ND	201XR254B-ND	.50	.46	.42	.33	.27	201UR254B	201XR254B
500K	201UR504B-ND	201XR504B-ND	.50	.46	.42	.33	.27	201UR504B	201XR504B
1M	201UR105B-ND	201XR105B-ND	.50	.46	.42	.33	.27	201UR105B	201XR105B

◆ RoHS Compliant

10mm Trimmer Potentiometers Series 262



- Features:**
- Miniature size
 - Adjustment knob slotted for front or rear screwdriver adjustment
 - PC mounting with knob parallel or perpendicular to printed circuit board
 - Low height profile
 - Wide resistance range
 - Reliable screened CTS composition element
- Electrical and Mechanical Specifications:**
- **Resistance Range:** Standard — 500Ω through 1MΩ
 - **Resistance Tolerance:** Standard — ±20%
 - **Power Rating, Watts:** 0.15 watts @ 40°C
 - **Voltage Rating:** Operating maximum — 350VDC
 - **Resistance Tapers:** Linear
 - **Adjustment Knob:** Color coded nylon knob with hex hole for top adjustment plus slot for either top or bottom screwdriver adjustment
 - **Angle of Rotation:** Total rotation — 265° ± 5%
 - **Rotational Torque:** .3 to 5 inch ounces
 - **Stop Strength:** 16 inch ounces

Res. Ω	Color	Digi-Key Part No. Laydown Version	Digi-Key Part No. Standup Version	Price Each					CTS Part No. Laydown Version	CTS Part No. Standup Version
				1	10	100	500	1,000		
500	Green	U262R501B-ND	X262R501B-ND	.51	.48	.43	.34	.28	U262R501B	X262R501B
1K	Yellow	U262R102B-ND	X262R102B-ND	.51	.48	.43	.34	.28	U262R102B	X262R102B
2.5K	Red	U262R252B-ND	X262R252B-ND	.51	.48	.43	.34	.28	U262R252B	X262R252B
5K	Blue	U262R502B-ND	X262R502B-ND	.51	.48	.43	.34	.28	U262R502B	X262R502B
10K	White	U262R103B-ND	X262R103B-ND	.51	.48	.43	.34	.28	U262R103B	X262R103B
25K	Black	U262R253B-ND	X262R253B-ND	.51	.48	.43	.34	.28	U262R253B	X262R253B
50K	Orange	U262R503B-ND	X262R503B-ND	.51	.48	.43	.34	.28	U262R503B	X262R503B
100K	Gray	U262R104B-ND	X262R104B-ND	.51	.48	.43	.34	.28	U262R104B	X262R104B
250K	Violet	U262R254B-ND	X262R254B-ND	.51	.48	.43	.34	.28	U262R254B	X262R254B
500K	Brown	U262R504B-ND	X262R504B-ND	.51	.48	.43	.34	.28	U262R504B	X262R504B
1M	Lt. Blue	U262R105B-ND	X262R105B-ND	.51	.48	.43	.34	.28	U262R105B	X262R105B

◆ RoHS Compliant

Two Axis, Ministick and Micro-stick (Joystick) Controller Series 252, 253 and 254

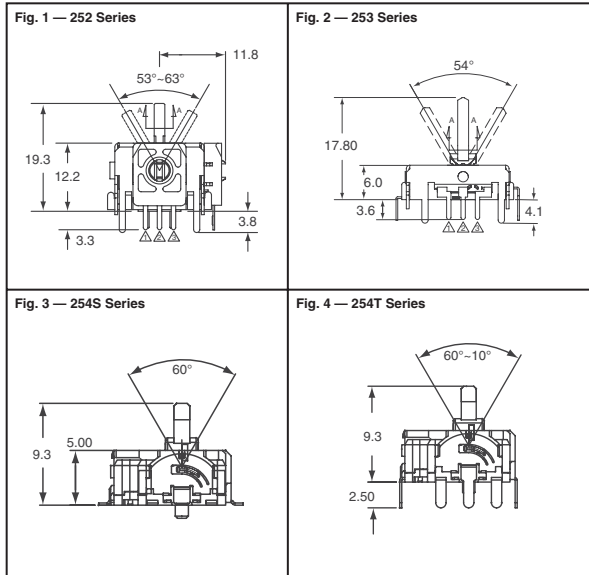
SPECIFICATIONS:

Controller without Switch: Resistance Tolerance: Standard: ±20%
 Insulation Resistance: 100MΩ minimum @ 250VDC **Power Rating:** 0.0125 watt **Maximum Operating Voltage:** Maximum 50VAC or 5VDC
Angle of Rotation: 60° maximum **Life:** 1,000,000 cycles

Controller with Momentary Switch: Contact Resistance: 100mΩ maximum **Dielectric Strength:** 250VAC 50/60 Hz for 1 minute **Insulation Resistance:** 100MΩ minimum @ 100VDC **Operational Force:** 252 and 254 Series: 800gf; 253 Series: 1200gf **Power Rating:** 253 and 254 Series: 5VDC 5mA maximum; 252 Series: 12VDC 50mA maximum **Travel:** 0.5 +0.5 -0.4mm **Life:** 252 and 253 Series: 500,000 cycles; 254 Series: 200,000 cycles

Compact Size		
Series	Dimensions (mm)	
252	20 x 21 x 13	
253	20 x 18 x 6	
254	11 x 11 x 5	

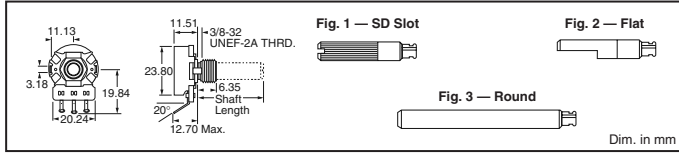
Fig.	Res. Ω	Description	Digi-Key Part No.	Price Each			CTS Part No.
				1	10	50	100
1	10K	Controller without Switch	252A103B60NA-ND	5.74	5.33	5.18	4.15
	10K	Controller with Switch	252A103B60NB-ND	6.09	5.66	5.53	4.43
	100K	Controller without Switch	252A104B60NA-ND	5.74	5.33	5.18	4.15
	100K	Controller with Switch	252A104B60NB-ND	6.09	5.66	5.53	4.43
2	10K	Controller with Switch	253A103B45NB-ND	6.04	5.61	5.44	4.41
	10K	Controller without Switch	253A103B45NA-ND	5.81	5.40	5.23	4.24
	100K	Controller with Switch	253A104B45NB-ND	6.04	5.61	5.44	4.41
	100K	Controller without Switch	253A104B45NA-ND	5.81	5.40	5.23	4.24
3	10K	Controller without Switch	254SA103B50A-ND	12.28	11.41	11.06	8.95
	10K	Controller with Switch	254SA103B50B-ND	13.18	12.24	11.87	9.61
	100K	Controller without Switch	254SA104B50A-ND	12.68	11.78	11.41	9.24
	100K	Controller with Switch	254SA104B50B-ND	13.58	12.61	12.23	9.90
4	10K	Controller without Switch	254TA103B50A-ND	11.77	10.94	10.60	8.58
	10K	Controller with Switch	254TA103B50B-ND	12.68	11.78	11.41	9.24
	100K	Controller without Switch	254TA104B50A-ND	12.17	11.31	10.96	8.87
	100K	Controller with Switch	254TA104B50B-ND	13.08	12.15	11.77	9.53



Note: For Additional Specifications, please see Manufacturer's Data Sheet.

More Product Available Online: www.digkey.com

CTS Stock Pot™ Potentiometers 23.81mm Diameter Series 450



To determine shaft length, use appropriate variable (1-8) shown below.

Shaft Length (mm)	12.70	15.88	19.05	22.23	25.40	50.80
Figure 1 - Slot	1	2	3	4	5	—
Figure 2 - Flat	—	—	—	6	7	—
Figure 3 - Round	—	—	—	—	—	8

- Features:**
- Off the shelf availability
 - Wide Resistance Range
 - Available with three shaft styles: knurled and slotted, flattened or round
 - Economical in limited volume applications

Electrical and Mechanical Specifications:

• **Resistance Range:** 500Ω through 500KΩ • **Resistance Tolerance:** ±20% • **Power Rating, Watt:** Through 10KΩ, 1/2 watt; above 10KΩ through 100KΩ, 1/3 watt; above 100KΩ, 1/4 watt • **Voltage Rating:** Bushing to terminals: High pot test, one minute - 1080VAC • **Shaft Information:** Diameter: 6.35mm (Diameter over knurl 6.10mm - 6.25mm) • **Angle of Rotation:** Total rotation - 300° ±5°; Effective Rotation approximately 300° • **Bushing Information:** Material - Diecast zinc; Diameter - EIA st. 3/8" - 32 UNEF-2A thread; Length - 6.35mm ± .40mm • **Terminal Information:** Solder lug, formed to rear • **Locating Lug:** Left side, terminals down

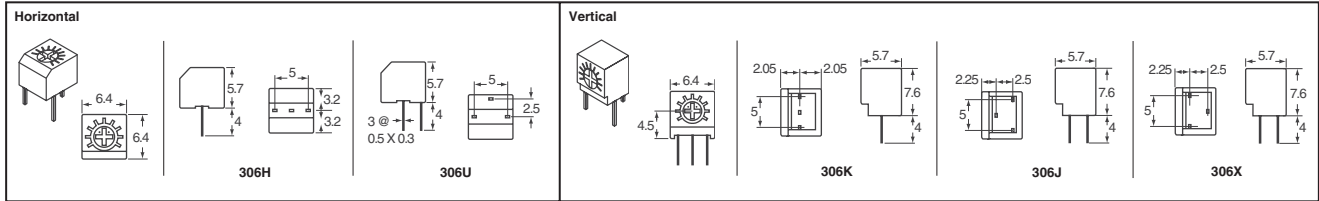
Mounting hardware included.

Res. Ω	Digi-Key Part No.*	Price Each					
		1	10	100	250	500	1,000
500	450D501-□-ND	3.18	2.87	2.44	2.02	1.70	1.41
1K	450D102-□-ND	3.18	2.87	2.44	2.02	1.70	1.41
2.5K	450D252-□-ND	3.18	2.87	2.44	2.02	1.70	1.41
5K	450D502-□-ND	3.18	2.87	2.44	2.02	1.70	1.41
10K	450D103-□-ND	3.18	2.87	2.44	2.02	1.70	1.41
25K	450D253-□-ND	3.18	2.87	2.44	2.02	1.70	1.41
50K	450D503-□-ND	3.18	2.87	2.44	2.02	1.70	1.41
100K	450D104-□-ND	3.18	2.87	2.44	2.02	1.70	1.41
250K	450D254-□-ND	3.18	2.87	2.44	2.02	1.70	1.41
500K	450D504-□-ND	3.18	2.87	2.44	2.02	1.70	1.41

*For complete part number, substitute corresponding variable (from chart above) for □.

6mm Square Cermet Trimmer Potentiometer Series 306

Dim in mm



Res. Ω	Digi-Key Part No. Horizontal Bulk	Digi-Key Part No. Horizontal Tape & Reel	Digi-Key Part No. Horizontal Bulk	Digi-Key Part No. Vertical Bulk	Digi-Key Part No. Vertical Tape & Reel	Digi-Key Part No. Vertical Bulk	Digi-Key Part No. Vertical Bulk
10	—	306HC100BRTR-ND	—	306KC100B-ND	306JC100B-ND	306XC100B-ND	306XC100B-ND
20	—	—	306UC200B-ND	306KC200B-ND	306JC200B-ND	306XC200B-ND	306XC200B-ND
50	—	306HC500BRTR-ND	—	306KC500B-ND	306JC500B-ND	306XC500B-ND	306XC500B-ND
100	—	306HC101BRTR-ND	306UC101B-ND	306KC101B-ND	306JC101B-ND	306XC101B-ND	306XC101B-ND
200	—	306HC201BRTR-ND	—	306KC201B-ND	306JC201B-ND	306XC201B-ND	306XC201B-ND
500	—	306HC501B-ND	306UC501B-ND	306KC501B-ND	306JC501B-ND	306XC501B-ND	306XC501B-ND
1K	—	—	—	306KC102B-ND	—	306XC102B-ND	306XC102B-ND
2K	—	—	—	—	306KC202B-ND	306XC202B-ND	306XC202B-ND
5K	—	306HC502BRTR-ND	—	—	306KC502B-ND	306XC502B-ND	306XC502B-ND
10K	—	—	—	—	306KC103B-ND	—	—
20K	—	—	—	—	306KC203B-ND	—	—
50K	—	306HC503BRTR-ND	—	306KC503B-ND	306JC503B-ND	—	—
100K	—	—	306UC104B-ND	—	306KC104B-ND	306XC104B-ND	306XC104B-ND
200K	306HC204B-ND	306HC204BRTR-ND	306UC204B-ND	306KC204B-ND	306JC204B-ND	306XC204B-ND	306XC204B-ND
500K	306HC504B-ND	306HC504BRTR-ND	—	306KC504B-ND	306JC504B-ND	306XC504B-ND	306XC504B-ND
1M	—	306HC105BRTR-ND	—	306KC105B-ND	306JC105B-ND	306XC105B-ND	306XC105B-ND
2M	306HC205B-ND	306HC205BRTR-ND	—	306KC205B-ND	306JC205B-ND	306XC205B-ND	306XC205B-ND

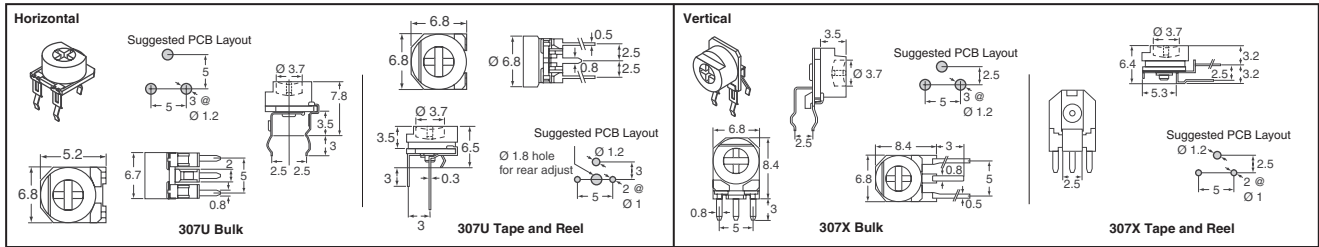
Features: • Easy and stable adjustment • Cross-slot knob for ease of adjustment • Auto insertion with radial taping

Electrical and Mechanical Specifications: • Taper: Linear • Resistance Tolerance: ±20% • Power Rating: 0.5 watt at 70°C, 0 watts at 125°C • Maximum Working Voltage: 200V or √PR = V whichever is less • Temperature Range: -55°C - 125°C • Temperature Coefficient: ±100ppm/°C (except 10Ω ±200 ppm/°C) • Insulation Resistance: DC 500V, 1000MΩ minute • Dielectric Strength: AC 500V 1 minute • Operation Torque: 20 mN•m maximum • Stop Strength: 50 mN•m maximum

Series	Bulk Pricing			Tape & Reel Pricing 1,000
	1	10	50	
306HC/306KC	.54	5.00	20.75	640.00
306JC/306UC/306XC	.54	5.00	20.75	—

6mm Round Cermet Trimmer Potentiometer Series 307

Dim in mm



Res. Ω	Digi-Key Part No. Horizontal Bulk	Digi-Key Part No. Horizontal Tape & Reel	Digi-Key Part No. Vertical Bulk	Digi-Key Part No. Vertical Tape & Reel
100	307UC101E-ND	—	307XC101E-ND	307XC101ERTR-ND
200	—	307UC201ERTR-ND	—	307XC201ERTR-ND
500	307UC501E-ND	—	307XC501E-ND	307XC501ERTR-ND
1K	—	—	307XC102E-ND	—
5K	—	—	307XC502E-ND	307XC502ERTR-ND
10K	—	—	307XC103E-ND	—
50K	—	—	—	307XC503ERTR-ND
100K	—	—	307XC104E-ND	307XC104ERTR-ND
200K	307UC204E-ND	307UC204ERTR-ND	—	—
500K	307UC504E-ND	307UC504ERTR-ND	—	307XC504ERTR-ND
1M	—	—	—	307XC105ERTR-ND

Features: • Front cross-slot adjustment • Auto insertion with radial taping • Radial taped parts are rear side adjustable

Electrical and Mechanical Specifications: • Taper: Linear • Resistance Tolerance: ±25% • Power Rating: Cermet -0.3 watt at 70°C, 0 watts at 100°C • Maximum Working Voltage: 100V or √PR = V • Temperature Range: -25°C - 100°C • Temperature Coefficient: ±250 ppm/°C • Rotation Angle: 240° ±10° • Operation Torque: Bulk; 2.94 - 29.4 mN•m Taped; 0.98 - 29.4 mN•m • Stop Strength: 49.0 mN•m maximum

Series	Bulk Pricing			Tape and Reel	
	1	10	50	Qty.	Pricing
307UC	.15	1.40	5.81	800	120.00
307XC	.15	1.40	5.81	1,000	150.00

More Product Available Online: www.digkey.com

Toll-Free: 1-800-344-4539 • Phone 218-681-6674 • Fax: 218-681-3380

(T083) 1893