



Trimmer Potentiometers

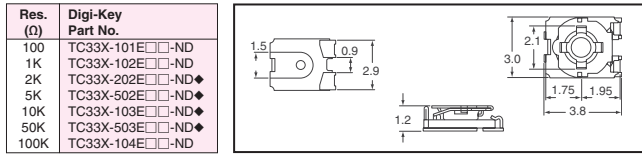


NEW! SERIES 3269 — 1/4" (6.35mm) Square SMD Trimming Potentiometer



SERIES TC33X — 3mm SMD Trimming Potentiometer

Characteristics: • Resistance Tolerance: $\pm 25\%$ standard • Contact Resistance Variation: 5% maximum • Resolution: Essentially Infinite • Adjustment Angle: $260^\circ \pm 20^\circ$ • Power Rating (50VDC maximum): $70^\circ\text{C} = 0.1\text{W}$ • Temperature Range: $-40^\circ\text{C} - 120^\circ\text{C}$ • Temperature Coefficient: $\pm 250\text{ppm}/^\circ\text{C}$



Series	Part No.	Cut Tape Pricing			Part No.	Tape and Reel Pricing
		1	10	100		
TC33X	Add "CT"-ND	.20	1.65	14.40	Add "TR"-ND	90.00/M

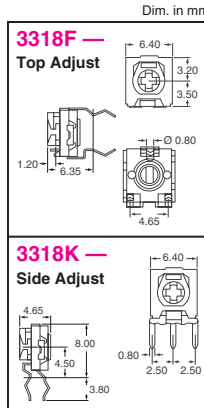
◆ RoHS Compliant

SERIES 3318 — 6mm Square/Single-Turn/Carbon/Open Frame

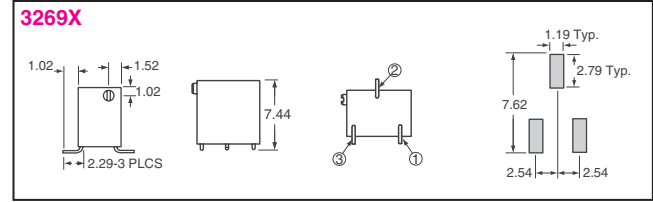
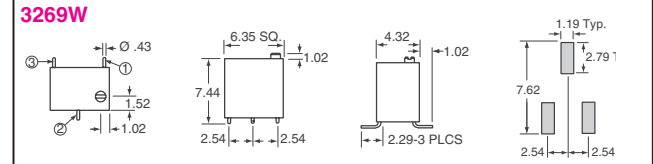
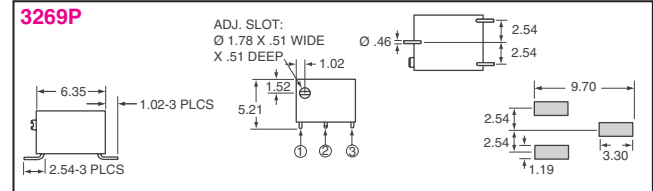
Characteristics: • Resistance Tolerance: $\pm 30\%$ • Contact Resistance Variation: 10% maximum • Resolution: Infinite • Adjustment Angle: $210^\circ \pm 20^\circ$ • Power Rating: $100-500\Omega = 50\text{V}$; $>500\Omega = 25\text{V}$; $50^\circ\text{C} = 0.1\text{W}$ • Temperature Range: $-25^\circ\text{C} - 100^\circ\text{C}$ • Temperature Coefficient: $\pm 1,000\text{ppm}/^\circ\text{C}$

Series	Res. (Ω)	Digi-Key Part No.	Cut Tape Pricing		
			1	10	100
3318F	500	3318F-501-ND	.34	2.44	10.69
	1.0K	3318F-102-ND	.35	2.10	14.63
	2.0K	3318F-202-ND	.34	2.44	10.69
	5.0K	3318F-502-ND	.35	2.10	14.63
	10K	3318F-103-ND	.35	2.10	14.63
	20K	3318F-203-ND	.35	2.10	14.63
3318K	1.0M	3318K-105-ND	.35	2.10	14.63
	10K	3318K-103-ND	.34	2.44	10.69
	5.0K	3318K-502-ND	.35	2.10	14.63
	1.0M	3318K-105-ND	.35	2.10	14.63

◆ RoHS Compliant



Characteristics: • Resistance Tolerance: $\pm 10\%$ standard • Contact Resistance Variation: 3% or 3Q maximum • Resolution: Infinite • Insulation Resistance: 500VDC; 1,000M Ω minimum • Effective Travel: 12 turns nominal • Power Rating (300 volts maximum): $85^\circ\text{C} = 0.25\text{W}$, $150^\circ\text{C} = 0\text{W}$ • Temperature Range: $-85^\circ\text{C} - 150^\circ\text{C}$ • Temperature Coefficient: $\pm 100\text{ppm}/^\circ\text{C}$ • Load Life: 1,000 hours 0.25W @ 85°C (3% ΔTR ; 3% or 3Q, whichever is greater, CRV) • Rotational Life: 200 cycles (2% ΔTR ; 3% or 3Q, whichever is greater, CRV) • Torque: 3.0 oz-inch maximum • Mechanical Stops: Wiper idles

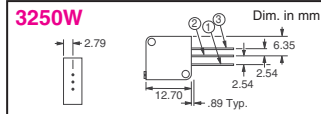


Res. (Ω)	Digi-Key Part No.	Digi-Key Part No.	Digi-Key Part No.
10	3269P-1-100LF-ND	3269W-1-100LF-ND	3269X-1-100LF-ND
20	3269P-1-200LF-ND	3269W-1-200LF-ND	3269X-1-200LF-ND
50	3269P-1-500LF-ND	3269W-1-500LF-ND	3269X-1-500LF-ND
100	3269P-1-101LF-ND	3269W-1-101LF-ND	3269X-1-101LF-ND
200	3269P-1-201LF-ND	3269W-1-201LF-ND	3269X-1-201LF-ND
500	3269P-1-501LF-ND	3269W-1-501LF-ND	3269X-1-501LF-ND
1K	3269P-1-102LF-ND	3269W-1-102LF-ND	3269X-1-102LF-ND
2K	3269P-1-202LF-ND	3269W-1-202LF-ND	3269X-1-202LF-ND
5K	3269P-1-502LF-ND	3269W-1-502LF-ND	3269X-1-502LF-ND
10K	3269P-1-103LF-ND	3269W-1-103LF-ND	3269X-1-103LF-ND
20K	3269P-1-203LF-ND	3269W-1-203LF-ND	3269X-1-203LF-ND
25K	3269P-1-253LF-ND	3269W-1-253LF-ND	3269X-1-253LF-ND
50K	3269P-1-503LF-ND	3269W-1-503LF-ND	3269X-1-503LF-ND
100K	3269P-1-104LF-ND	3269W-1-104LF-ND	3269X-1-104LF-ND
200K	3269P-1-204LF-ND	3269W-1-204LF-ND	3269X-1-204LF-ND
250K	3269P-1-254LF-ND	3269W-1-254LF-ND	3269X-1-254LF-ND
500K	3269P-1-504LF-ND	3269W-1-504LF-ND	3269X-1-504LF-ND
1M	3269P-1-105LF-ND	3269W-1-105LF-ND	3269X-1-105LF-ND

Series	Pricing			
	1	10	50	100
3269P/3269W/3269X	4.43	40.25	173.00	277.08

SERIES 3250 — 1/2" (12.70mm) Square/Multiturn (25) Wirewound/Sealed

Characteristics: • Resistance Tolerance: $\pm 5\%$ standard • Insulation Resistance: 500VDC 1,000M Ω minimum • Adjustment Travel: 25 turns nominal • Power Rating: $85^\circ\text{C} = 1\text{W}$; $150^\circ\text{C} = 0\text{W}$ • Temperature Range: $-65^\circ\text{C} - 150^\circ\text{C}$ • Temperature Coefficient: $\pm 70\text{ppm}/^\circ\text{C}$ • Load Life: 1,000 hours 1 watt @ 85°C (2% ΔTR ; ENR, 5000) • Rotational Life: 200 cycles (2% ΔTR ; ENR, 5000) • Torque: 5.0 oz-inch maximum • Mechanical Stops: Wiper idles

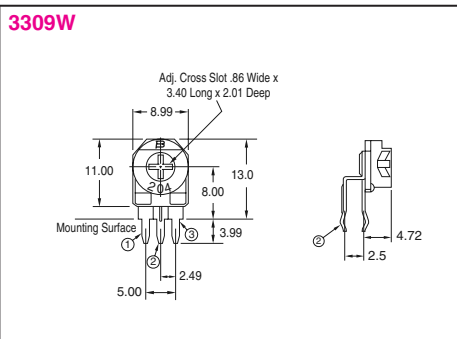
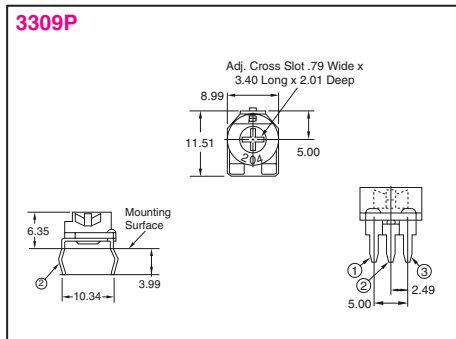


Resolution (Ω)	Digi-Key Part No.	Nominal Resolution (Percent)
200	3250W-201-ND	0.70
500	3250W-501 ND	0.30
5K	3250W-502-ND	0.25
10K	3250W-103-ND	0.19
20K	3250W-203-ND	0.16

Series	Pricing		
	1	10	50
3250W	14.55	132.25	568.68

SERIES 3309 — 9mm Round/Single-Turn Cermet/Industrial/Open Frame

Characteristics: • Resistance Tolerance: $\pm 25\%$ standard • Adjustment Angle: 235° nominal • Power Rating (250 volts maximum): $70^\circ\text{C} = 0.5\text{ Watt}$ • Temperature Range: $-25^\circ\text{C} - 100^\circ\text{C}$ • Temperature Coefficient: $\pm 250\text{ppm}/^\circ\text{C}$ • Load Life: 1,000 hours 0.5 watt @ 70°C (5% ΔTR) • Torque: 5.0 oz-inch maximum • Stop Strength: 11.0 oz-inch minimum



Resolution (Ω)	Digi-Key Part No.	Digi-Key Part No.
100	3309P-101-ND	3309W-101-ND
200	3309P-201-ND	3309W-201-ND
500	3309P-501-ND	3309W-501-ND
1K	3309P-102-ND	3309W-102-ND
2K	3309P-202-ND	3309W-202-ND
5K	3309P-502-ND	3309W-502-ND
10K	3309P-103-ND	3309W-103-ND
20K	3309P-203-ND	3309W-203-ND
50K	3309P-503-ND	3309W-503-ND
100K	3309P-104-ND	3309W-104-ND
200K	3309P-204-ND	3309W-204-ND
500K	3309P-504-ND	3309W-504-ND
1M	3309P-105-ND	3309W-105-ND

Series	Pricing		
	1	10	100
3309P/3309W	.80	6.75	55.95

◆ RoHS Compliant

Digi-Reel® Most SMT cutdown parts are available on a Digi-Reel®. For Digi-Reel part number, change 1-ND to 6-ND or CT-ND to DKR-ND. See Digi-Key® Services on page 2 for additional information.

More Product Available Online: www.digikey.com

Toll-Free: 1-800-344-4539 • Phone 218-681-6674 • Fax: 218-681-3380

(T083) 1885