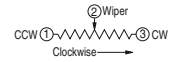


BOURNS Trimmer Potentiometers

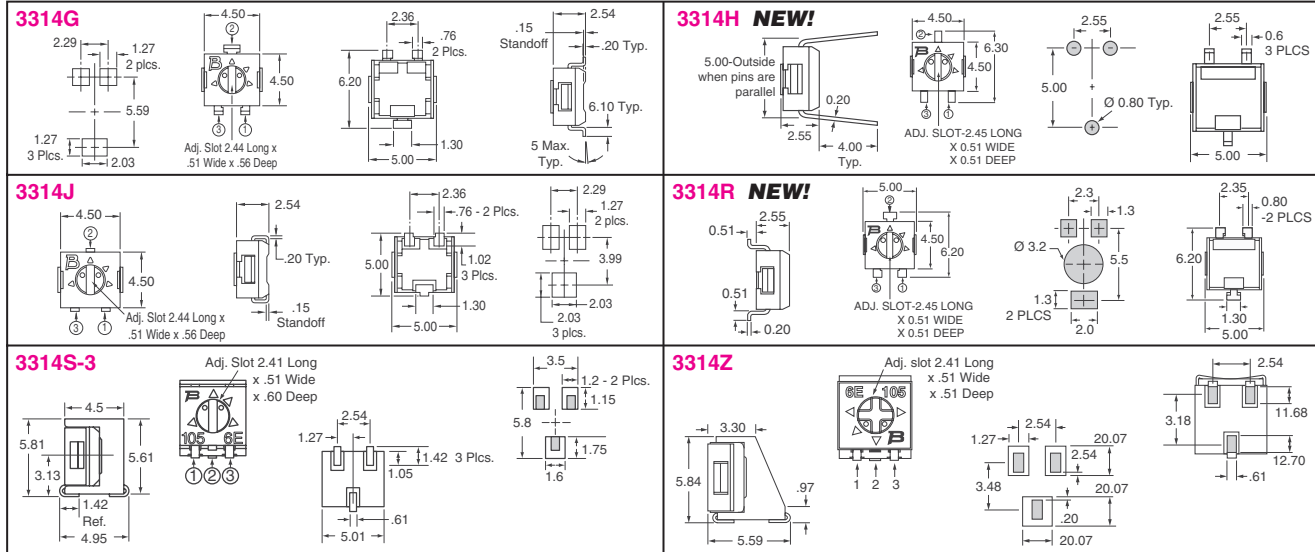


SERIES 3314 — 4mm Square/Single-Turn Cermet/Industrial/Sealed

Features: • Compatible with all surface mount soldering processes • Very low CRV — 1% • Standoffs facilitate boardwashing and mechanical stability
Characteristics: • Resistance Tolerance: ±20% standard • Insulation Resistance: 500VDC 100MΩ minimum • Adjustment Angle: 210° nominal • Soldering Heat: 260°C, 10 seconds, TRS ±1% • Power Rating (300V maximum): 70°C = 0.25W; 125°C = 0W • Temperature Range: -55°C - 125°C • Temperature Coefficient: ±100ppm/°C • Load Life: (@ 70°C Rated Power 1,000 hours) TRS ±3% • Rotational Life: 100 cycles TRS ±3% • Mechanical Angle: 240° nominal • Torque: 180g-cm. typical • Stop Strength: 300g-cm. typical



Dim. in mm



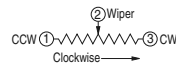
Res. (Ω)	Digi-Key Part No.	Digi-Key Part No.	Digi-Key Part No.	Digi-Key Part No.	Digi-Key Part No.	Digi-Key Part No.
10	3314G-1-100E□□-ND NEW!	3314H-1-100-ND NEW!	3314J-1-100E□□-ND NEW!	3314R-1-100E□□-ND NEW!	3314S-1-100E□□-ND NEW!	3314Z-1-100E□□-ND NEW!
20	3314G-1-200E□□-ND NEW!	3314H-1-200-ND NEW!	3314J-1-200E□□-ND NEW!	3314R-1-200E□□-ND NEW!	3314S-1-200E□□-ND NEW!	3314Z-1-200E□□-ND NEW!
50	3314G-1-500E□□-ND NEW!	3314H-1-500-ND NEW!	3314J-1-500E□□-ND NEW!	3314R-1-500E□□-ND NEW!	3314S-1-500E□□-ND NEW!	3314Z-1-500E□□-ND NEW!
100	3314G-1-01E□□-ND	3314H-1-01-ND	3314J-1-01E□□-ND	3314R-1-01E□□-ND	3314S-1-01E□□-ND	3314Z-1-01E□□-ND
200	3314G-2-01E□□-ND	3314H-1-201-ND	3314J-2-01E□□-ND	3314R-1-201E□□-ND	3314S-3-201E□□-ND	3314Z-2-01E□□-ND
500	3314G-5-01E□□-ND	3314H-1-501-ND	3314J-5-01E□□-ND	3314R-1-501E□□-ND	3314S-3-501E□□-ND	3314Z-5-01E□□-ND
1K	3314G-1-02E□□-ND	3314H-1-102-ND	3314J-1-02E□□-ND	3314R-1-102E□□-ND	3314S-3-102E□□-ND	3314Z-1-02E□□-ND
2K	3314G-2-02E□□-ND	3314H-1-202-ND	3314J-2-02E□□-ND	3314R-1-202E□□-ND	3314S-3-202E□□-ND	3314Z-2-02E□□-ND
5K	3314G-5-02E□□-ND	3314H-1-502-ND	3314J-5-02E□□-ND	3314R-1-502E□□-ND	3314S-3-502E□□-ND	3314Z-5-02E□□-ND
10K	3314G-1-03E□□-ND	3314H-1-103-ND	3314J-1-03E□□-ND	3314R-1-103E□□-ND	3314S-3-103E□□-ND	3314Z-1-03E□□-ND
20K	3314G-2-03E□□-ND	3314H-1-203-ND	3314J-2-03E□□-ND	3314R-1-203E□□-ND	3314S-3-203E□□-ND	3314Z-2-03E□□-ND
25K	3314G-2-53E□□-ND	—	3314J-2-53E□□-ND	—	3314S-3-253E□□-ND	3314Z-2-53E□□-ND
50K	3314G-5-03E□□-ND	3314H-1-503-ND	3314J-5-03E□□-ND	3314R-1-503E□□-ND	3314S-3-503E□□-ND	3314Z-5-03E□□-ND
100K	3314G-1-04E□□-ND	3314H-1-104-ND	3314J-1-04E□□-ND	3314R-1-104E□□-ND	3314S-3-104E□□-ND	3314Z-1-04E□□-ND
200K	3314G-2-04E□□-ND	3314H-1-204-ND	3314J-2-04E□□-ND	3314R-1-204E□□-ND	3314S-3-204E□□-ND	3314Z-2-04E□□-ND
250K	3314G-2-54E□□-ND	3314H-1-254-ND	3314J-2-54E□□-ND	3314R-1-254E□□-ND	3314S-3-254E□□-ND	3314Z-2-54E□□-ND
500K	3314G-5-04E□□-ND	3314H-1-504-ND	3314J-5-04E□□-ND	3314R-1-504E□□-ND	3314S-3-504E□□-ND	3314Z-5-04E□□-ND
1M	3314G-1-05E□□-ND	3314H-1-105-ND	3314J-1-05E□□-ND	3314R-1-105E□□-ND	3314S-3-105E□□-ND	3314Z-1-05E□□-ND
2M	3314G-2-05E□□-ND	3314H-1-205-ND	3314J-2-05E□□-ND	3314R-1-205E□□-ND	3314S-3-205E□□-ND	3314Z-2-05E□□-ND

Series	Part No.	Cut Tape Pricing					Part No.	Tape and Reel Pricing				
		1	5	10	50	100		200	500	600	1,000	1,500
3314G/3314G-1	Add "CT"-ND	1.95	9.00	16.50	—	156.00	Add "TR"-ND	—	489.00	—	—	900.00/M
3314H-1‡	—	1.65	—	15.00	64.47	103.26	—	—	—	—	—	—
3314J/3314J-1	Add "CT"-ND	1.95	9.00	16.50	—	156.00	Add "TR"-ND	—	489.00	—	—	900.00/M
3314R-1	Add "CT"-ND	2.28	10.50	19.25	—	182.00	Add "TR"-ND	—	570.50	—	1050.00	—
3314S-1/3314S-3	Add "CT"-ND	2.15	9.90	18.15	—	171.60	Add "TR"-ND	244.20	—	649.20	—	—
3314Z/3314Z-1	Add "CT"-ND	2.15	9.90	18.15	—	171.60	Add "TR"-ND	244.20	—	649.20	—	—

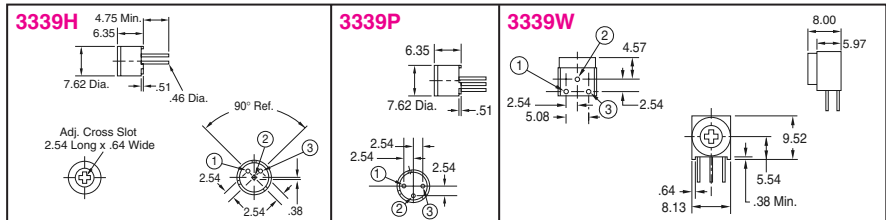
◆ RoHS Compliant ‡ Bulk

SERIES 3339 — 5/16" (7.95mm) Round/Four-Turn Cermet/Industrial/Sealed

Features: • Unique planetary drive offers precise wiper setting of a multiturn in a single-turn package size • Top and side adjust styles
Characteristics: • Resistance Tolerance: ±10% standard • Insulation Resistance: 500VDC 1,000MΩ minimum • Effective Travel: 4 turns nominal • Power Rating (300 volts maximum): 85°C = 0.5W; 150°C = 0W • Temperature Range: -55°C - 150°C • Temperature Coefficient: ±100 ppm/°C • Load Life: 1,000 hours 0.5 watt @ 85°C (3% ΔTR; CRV, 3% or 3Q, whichever is greater) • Rotational Life: 200 cycles (3% ΔTR; CRV, 3% or 3Q, whichever is greater) • Torque: 3.0 oz-inch maximum • Mechanical Stops: Wiper idles



Dim. in mm



Res. (Ω)	Digi-Key Part No.	Digi-Key Part No.	Digi-Key Part No.
50	3339H-500-ND	3339P-500LF-ND	—
100	3339H-101-ND‡	3339P-101-ND‡	3339W-101-ND
200	3339H-201-ND‡	—	—
500	3339H-501-ND	3339P-501-ND‡	3339W-501-ND‡
1K	3339H-102LF-ND	3339P-102LF-ND	—
2K	—	3339P-202-ND‡	3339W-202-ND‡
5K	3339H-502LF-ND	3339P-502LF-ND	3339W-502-ND‡
10K	3339H-103LF-ND	3339P-103LF-ND	3339W-103LF-ND
20K	3339H-203LF-ND	3339P-203LF-ND	3339W-203LF-ND
50K	3339H-503LF-ND	3339P-503-ND‡	—
100K	3339H-104LF-ND	3339P-104LF-ND	3339W-104-ND‡
500K	3339H-504LF-ND	3339P-504LF-ND	3339W-504-ND‡
1M	3339H-105LF-ND	3339P-105-ND‡	—

Series	Pricing	1	50
		10	50
3339H/3339P	5.28	48.00	206.40
3339W	7.59	69.00	296.70

◆ RoHS Compliant ‡ For RoHS Compliant Part Number change -ND to LF-ND

Digi-Reel® Most SMT cutdown parts are available on a Digi-Reel®. For Digi-Reel part number, change 1-ND to 6-ND or CT-ND to DKR-ND. See Digi-Key® Services on page 2 for additional information.

More Product Available Online: www.digikey.com



Trimmer Potentiometers

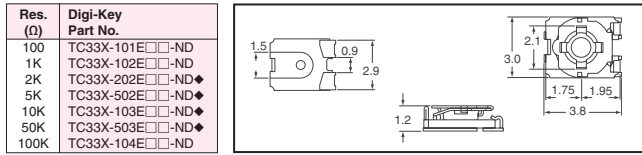


NEW! SERIES 3269 — 1/4" (6.35mm) Square SMD Trimming Potentiometer



SERIES TC33X — 3mm SMD Trimming Potentiometer

Characteristics: • Resistance Tolerance: $\pm 25\%$ standard • Contact Resistance Variation: 5% maximum • Resolution: Essentially Infinite • Adjustment Angle: $260^\circ \pm 20^\circ$ • Power Rating (50VDC maximum): $70^\circ\text{C} = 0.1\text{W}$ • Temperature Range: $-40^\circ\text{C} - 120^\circ\text{C}$ • Temperature Coefficient: $\pm 250\text{ppm}/^\circ\text{C}$



Series	Part No.	Cut Tape Pricing			Part No.	Tape and Reel Pricing
		1	10	100		
TC33X	Add "CT"-ND	.20	1.65	14.40	Add "TR"-ND	90.00/M

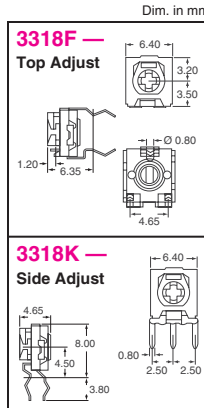
◆ RoHS Compliant

SERIES 3318 — 6mm Square/Single-Turn/Carbon/Open Frame

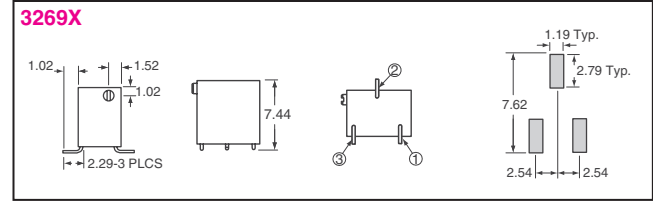
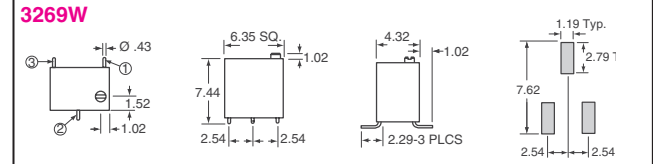
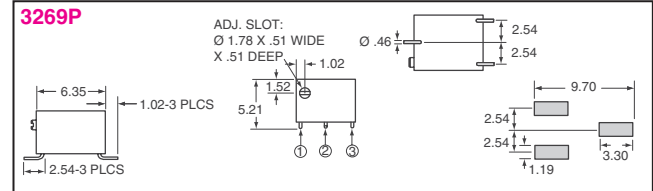
Characteristics: • Resistance Tolerance: $\pm 30\%$ • Contact Resistance Variation: 10% maximum • Resolution: Infinite • Adjustment Angle: $210^\circ \pm 20^\circ$ • Power Rating: $100-500\Omega = 50\text{V}$; $>500\Omega = 25\text{V}$; $50^\circ\text{C} = 0.1\text{W}$ • Temperature Range: $-25^\circ\text{C} - 100^\circ\text{C}$ • Temperature Coefficient: $\pm 1,000\text{ppm}/^\circ\text{C}$

Series	Res. (Ω)	Digi-Key Part No.	Cut Tape Pricing		
			1	10	100
3318F	500	3318F-501-ND	.34	2.44	10.69
	1.0K	3318F-102-ND	.35	2.10	14.63
	2.0K	3318F-202-ND	.34	2.44	10.69
	5.0K	3318F-502-ND	.35	2.10	14.63
	10K	3318F-103-ND	.35	2.10	14.63
	20K	3318F-203-ND	.35	2.10	14.63
3318K	1.0M	3318K-105-ND	.35	2.10	14.63
	10K	3318K-103-ND	.34	2.44	10.69
	5.0K	3318K-502-ND	.35	2.10	14.63
	1.0M	3318K-105-ND	.35	2.10	14.63

◆ RoHS Compliant



Characteristics: • Resistance Tolerance: $\pm 10\%$ standard • Contact Resistance Variation: 3% or 3 Ω maximum • Resolution: Infinite • Insulation Resistance: 500VDC; 1,000M Ω minimum • Effective Travel: 12 turns nominal • Power Rating (300 volts maximum): $85^\circ\text{C} = 0.25\text{W}$, $150^\circ\text{C} = 0\text{W}$ • Temperature Range: $-85^\circ\text{C} - 150^\circ\text{C}$ • Temperature Coefficient: $\pm 100\text{ppm}/^\circ\text{C}$ • Load Life: 1,000 hours 0.25W @ 85°C (3% ΔTR ; 3% or 3 Ω , whichever is greater, CRV) • Rotational Life: 200 cycles (2% ΔTR ; 3% or 3 Ω , whichever is greater, CRV) • Torque: 3.0 oz-inch maximum • Mechanical Stops: Wiper idles

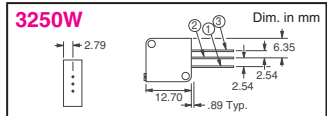


Res. (Ω)	Digi-Key Part No.	Digi-Key Part No.	Digi-Key Part No.
10	3269P-1-100LF-ND	3269W-1-100LF-ND	3269X-1-100LF-ND
20	3269P-1-200LF-ND	3269W-1-200LF-ND	3269X-1-200LF-ND
50	3269P-1-500LF-ND	3269W-1-500LF-ND	3269X-1-500LF-ND
100	3269P-1-101LF-ND	3269W-1-101LF-ND	3269X-1-101LF-ND
200	3269P-1-201LF-ND	3269W-1-201LF-ND	3269X-1-201LF-ND
500	3269P-1-501LF-ND	3269W-1-501LF-ND	3269X-1-501LF-ND
1K	3269P-1-102LF-ND	3269W-1-102LF-ND	3269X-1-102LF-ND
2K	3269P-1-202LF-ND	3269W-1-202LF-ND	3269X-1-202LF-ND
5K	3269P-1-502LF-ND	3269W-1-502LF-ND	3269X-1-502LF-ND
10K	3269P-1-103LF-ND	3269W-1-103LF-ND	3269X-1-103LF-ND
20K	3269P-1-203LF-ND	3269W-1-203LF-ND	3269X-1-203LF-ND
25K	3269P-1-253LF-ND	3269W-1-253LF-ND	3269X-1-253LF-ND
50K	3269P-1-503LF-ND	3269W-1-503LF-ND	3269X-1-503LF-ND
100K	3269P-1-104LF-ND	3269W-1-104LF-ND	3269X-1-104LF-ND
200K	3269P-1-204LF-ND	3269W-1-204LF-ND	3269X-1-204LF-ND
250K	3269P-1-254LF-ND	3269W-1-254LF-ND	3269X-1-254LF-ND
500K	3269P-1-504LF-ND	3269W-1-504LF-ND	3269X-1-504LF-ND
1M	3269P-1-105LF-ND	3269W-1-105LF-ND	3269X-1-105LF-ND

Series	Pricing			
	1	10	50	100
3269P/3269W/3269X	4.43	40.25	173.00	277.08

SERIES 3250 — 1/2" (12.70mm) Square/Multiturn (25) Wirewound/Sealed

Characteristics: • Resistance Tolerance: $\pm 5\%$ standard • Insulation Resistance: 500VDC 1,000M Ω minimum • Adjustment Travel: 25 turns nominal • Power Rating: $85^\circ\text{C} = 1\text{W}$; $150^\circ\text{C} = 0\text{W}$ • Temperature Range: $-65^\circ\text{C} - 150^\circ\text{C}$ • Temperature Coefficient: $\pm 70\text{ppm}/^\circ\text{C}$ • Load Life: 1,000 hours 1 watt @ 85°C (2% ΔTR ; ENR, 5000) • Rotational Life: 200 cycles (2% ΔTR ; ENR, 5000) • Torque: 5.0 oz-inch maximum • Mechanical Stops: Wiper idles

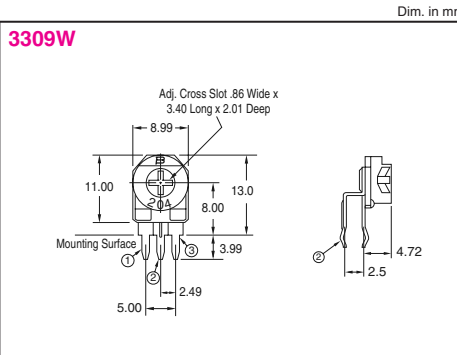
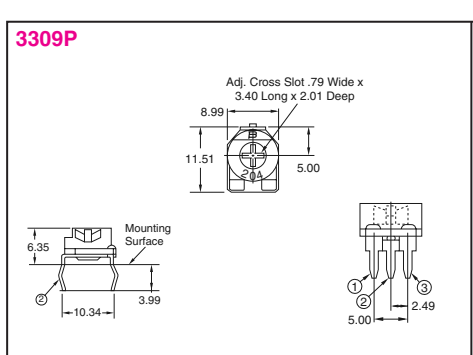


Resolution (Ω)	Digi-Key Part No.	Nominal Resolution (Percent)
200	3250W-201-ND	0.70
500	3250W-501 ND	0.30
5K	3250W-502-ND	0.25
10K	3250W-103-ND	0.19
20K	3250W-203-ND	0.16

Series	Pricing		
	1	10	50
3250W	14.55	132.25	568.68

SERIES 3309 — 9mm Round/Single-Turn Cermet/Industrial/Open Frame

Characteristics: • Resistance Tolerance: $\pm 25\%$ standard • Adjustment Angle: 235° nominal • Power Rating (250 volts maximum): $70^\circ\text{C} = 0.5\text{ Watt}$ • Temperature Range: $-25^\circ\text{C} - 100^\circ\text{C}$ • Temperature Coefficient: $\pm 250\text{ppm}/^\circ\text{C}$ • Load Life: 1,000 hours 0.5 watt @ 70°C (5% ΔTR) • Torque: 5.0 oz-inch maximum • Stop Strength: 11.0 oz-inch minimum



Resolution (Ω)	Digi-Key Part No.	Digi-Key Part No.
100	3309P-101-ND	3309W-101-ND
200	3309P-201-ND	3309W-201-ND
500	3309P-501-ND	3309W-501-ND
1K	3309P-102-ND	3309W-102-ND
2K	3309P-202-ND	3309W-202-ND
5K	3309P-502-ND	3309W-502-ND
10K	3309P-103-ND	3309W-103-ND
20K	3309P-203-ND	3309W-203-ND
50K	3309P-503-ND	3309W-503-ND
100K	3309P-104-ND	3309W-104-ND
200K	3309P-204-ND	3309W-204-ND
500K	3309P-504-ND	3309W-504-ND
1M	3309P-105-ND	3309W-105-ND

Series	Pricing		
	1	10	100
3309P/3309W	.80	6.75	55.95

◆ RoHS Compliant

Digi-Reel® Most SMT cutdown parts are available on a Digi-Reel®. For Digi-Reel part number, change 1-ND to 6-ND or CT-ND to DKR-ND. See Digi-Key® Services on page 2 for additional information.

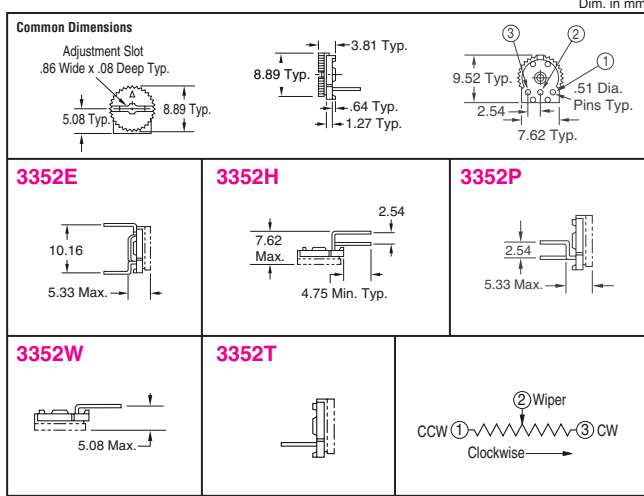
More Product Available Online: www.digikey.com

Toll-Free: 1-800-344-4539 • Phone 218-681-6674 • Fax: 218-681-3380

(T083) 1885

BOURNS Trimmer Potentiometers

SERIES 3352 — 3/8" (9.52mm) Round/Single-Turn Cermet/Industrial/Open Frame



Characteristics: • Resistance Tolerance: $\pm 20\%$ standard • Adjustment Angle: 205° nominal • Power Rating (250 volts maximum): $85^\circ\text{C} = 0.5\text{W}$; $125^\circ\text{C} = 0\text{W}$ • Temperature Range: $-55^\circ\text{C} - 125^\circ\text{C}$ • Temperature Coefficient: $\leq 2\text{K} \pm 150\text{ppm}/^\circ\text{C}$; $2\text{K} \leq \pm 100\text{ppm}/^\circ\text{C}$ • Load Life: 1,000 hours 0.5 watt @ 85°C (3% ΔTR) • Rotational Life: 200 cycles (10% ΔTR) • Mechanical Angle: 250° nominal • Torque: 3.0 oz-inch maximum • Stop Strength: 8 oz-inch minimum

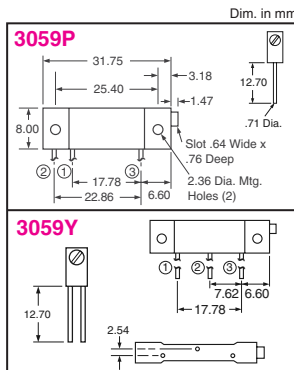
Res. (Ω)	Digi-Key Part No.	Digi-Key Part No.	Digi-Key Part No.	Digi-Key Part No.	Digi-Key Part No.
100	3352E-101-ND†	3352H-101-ND	—	3352T-101LF-ND♦	3352W-101LF-ND♦
200	—	3352H-201-ND	—	3352T-201LF-ND♦	3352W-201-ND
500	3352E-501-ND†	3352H-501-ND	3352P-501LF-ND♦	3352T-501-ND†	3352W-501-ND†
1K	3352E-102LF-ND♦	3352H-102LF-ND♦	3352P-102LF-ND♦	3352T-102-ND†	3352W-102LF-ND♦
2K	3352E-202-ND†	—	3352P-202-ND†	3352T-202-ND†	3352W-202-ND†
5K	3352E-502-ND†	3352H-502-ND†	3352P-502LF-ND♦	3352T-502-ND†	3352W-502-ND†
10K	3352E-103LF-ND♦	3352H-103-ND†	3352P-103-ND†	3352T-103LF-ND♦	3352W-103LF-ND♦
20K	3352E-203LF-ND♦	3352H-203LF-ND♦	3352P-203LF-ND♦	3352T-203LF-ND♦	3352W-203-ND†
25K	3352E-253LF-ND♦	3352H-253-ND†	3352P-253-ND	3352T-253-ND†	3352W-253-ND†
50K	3352E-503LF-ND♦	3352H-503-ND†	3352P-503LF-ND♦	—	3352W-503LF-ND♦
100K	3352E-104LF-ND♦	3352H-104-ND†	3352P-104-ND†	3352T-104LF-ND♦	3352W-104LF-ND♦
200K	—	—	3352P-204-ND†	3352T-204LF-ND♦	3352W-204LF-ND♦
250K	—	—	3352P-254-ND†	3352T-254LF-ND♦	—
500K	3352E-504-ND†	—	3352P-504LF-ND♦	3352T-504LF-ND♦	3352W-504-ND†
1M	3352E-105LF-ND♦	—	3352P-105-ND†	3352T-105LF-ND♦	3352W-105-ND†

Series	1	10	50
3352E / 3352H / 3352P / 3352T / 3352W	1.24	11.25	48.38

◆ RoHS Compliant † For RoHS Compliant Part Number change -ND to LF-ND.

SERIES 3059 — 1-1/4" (31.75mm) Rectangular/Multiturn (22) Cermet/Industrial/Sealed

Characteristics: • Resistance Tolerance: $\pm 10\%$ standard • Insulation Resistance: 500VDC 1,000M Ω minimum • Effective Travel: 22 turns nominal • Power Rating: $70^\circ\text{C} = 1\text{W}$; $150^\circ\text{C} = 0\text{W}$ • Temperature Range: $-55^\circ\text{C} - 150^\circ\text{C}$ • Temperature Coefficient: $\pm 100\text{ppm}/^\circ\text{C}$ • Load Life: 1,000 hours 0.5W @ 70°C (3% ΔTR ; CRV, 3% or 3Q, whichever is greater) • Rotational Life: 200 cycles (4% ΔTR ; CRV, 3% or 3Q, whichever is greater) • Mechanical Angle: 270° nominal • Torque: 3.0 oz-in. maximum • Stop Strength: 7.0 oz-in. minimum

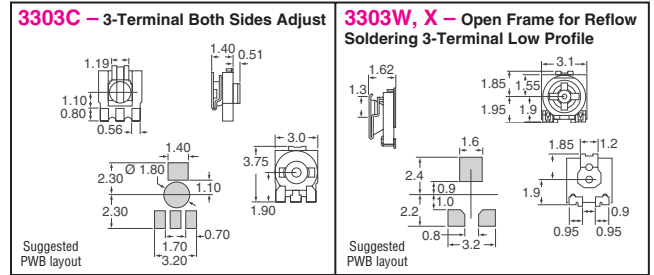
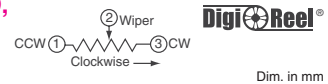


Res. (Ω)	Digi-Key Part No.	Digi-Key Part No.
100	—	3059Y-101LF-ND♦
500	3059P-501-ND	—
1K	3059P-102LF-ND♦	3059Y-102LF-ND♦
5K	3059P-502LF-ND♦	3059Y-502LF-ND♦
10K	3059P-103-ND†	3059Y-103LF-ND♦
20K	3059P-203LF-ND♦	3059Y-203LF-ND♦
50K	3059P-503LF-ND♦	3059Y-503-ND†
100K	3059P-104LF-ND†	3059Y-104-ND†
200K	—	3059Y-204LF-ND♦
500K	—	3059Y-504LF-ND♦

Series	1	10	50
3059P/3059Y	6.49	59.00	253.70

◆ RoHS Compliant † For RoHS Compliant Part Number change -ND to LF-ND.

SERIES 3303 — 3mm SMD, Trimming Potentiometer



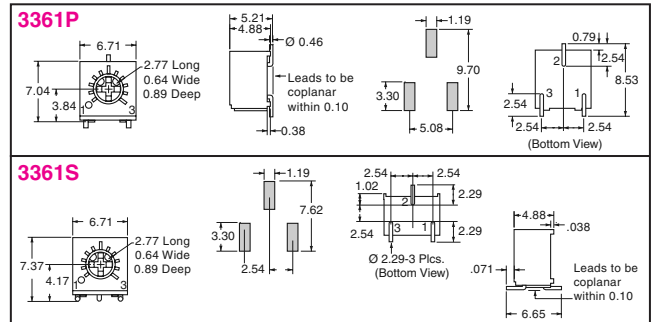
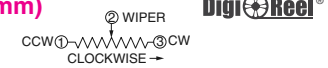
Characteristics: • Resistance Tolerance: $\pm 25\%$ standard • Contact Resistance Variation: 5% maximum • Resolution: Infinite • Adjustment Angle: $280^\circ \pm 20^\circ$ • Power Rating (50VDC maximum): $70^\circ\text{C} = 0.15\text{W}$ • Temperature Range: $-40^\circ\text{C} - 125^\circ\text{C}$ • Temperature Coefficient: $\pm 250\text{ppm}/^\circ\text{C}$ • TRS maximum: $\pm 5\%$

Res. (Ω)	Digi-Key Part No.	Digi-Key Part No.	Digi-Key Part No.
500	—	—	3303X-501E□□-ND
5K	—	3303W-502E□□-ND♦	—
10K	—	3303W-103E□□-ND	—
20K	—	3303W-203E□□-ND♦	—
50K	3303C-503E□□-ND	—	—
100K	—	3303W-104E□□-ND	3303X-104E□□-ND
200K	—	3303W-204ECT-ND	—
1M	3303C-105E□□-ND	—	—

Series	Part No.	1	10	100	Part No.	2,000
3303C	Add "CT"-ND	.45	3.75	34.50	Add "TR"-ND	225.00/M
3303W	Add "CT"-ND	.26	2.13	19.55	Add "TR"-ND	127.50/M
3303X	Add "CT"-ND	.26	2.13	19.55	Add "TR"-ND	127.50/M

◆ RoHS Compliant

SERIES 3361 — 1/4" (6.35mm) Square SMD/Single-Turn Cermet/Industrial/Sealed



Characteristics: • Resistance Tolerance: $\pm 10\%$ standard • Insulation Resistance: 500VDC 1,000M Ω minimum • Adjustment Angle: 240° nominal • Power Rating (300V maximum): $70^\circ\text{C} = 0.50\text{W}$; $125^\circ\text{C} = 0\text{W}$ • Temperature Range: $-55^\circ\text{C} - 125^\circ\text{C}$ • Temperature Coefficient: $\pm 100\text{ppm}/^\circ\text{C}$ • Load Life: 1,000 hours 0.5W @ 70°C (3% ΔTR ; CRV, 3% or 3Q, whichever is greater) • Rotational Life: 200 cycles (4% ΔTR ; CRV, 3% or 3Q, whichever is greater) • Mechanical Angle: 270° nominal • Torque: 3.0 oz-in. maximum • Stop Strength: 7.0 oz-in. minimum

Res. (Ω)	Digi-Key Part No.	Digi-Key Part No.
10	3361P-1-100GLF□□-ND♦ NEW!	3361S-1-100GLF□□-ND♦ NEW!
20	3361P-1-200GLF□□-ND♦ NEW!	3361S-1-200GLF□□-ND♦ NEW!
50	3361P-1-500GLF□□-ND♦ NEW!	3361S-1-500GLF□□-ND♦ NEW!
100	3361P-101G□□-ND†	3361S-101G□□-ND
200	3361P-201GLF□□-ND♦	3361S-201G□□-ND†
500	3361P-501G□□-ND†	3361S-501G□□-ND†
1K	3361P-102GLF□□-ND♦	3361S-102G□□-ND†
2K	3361P-202GLF□□-ND♦	3361S-202GLF□□-ND♦
5K	3361P-502GLF□□-ND♦	3361S-502G□□-ND†
10K	3361P-103G□□-ND†	3361S-103G□□-ND†
20K	3361P-203GLF□□-ND♦	3361S-203G□□-ND†
25K	3361P-1-253GLF□□-ND♦ NEW!	3361S-1-253GLF□□-ND♦ NEW!
50K	3361P-503GLF□□-ND♦	3361S-503G□□-ND†
100K	3361P-104GLF□□-ND♦	3361S-104G□□-ND†
200K	3361P-1-204GLF□□-ND♦ NEW!	3361S-1-204GLF□□-ND♦ NEW!
250K	3361P-1-254GLF□□-ND♦ NEW!	3361S-1-254GLF□□-ND♦ NEW!
500K	3361P-1-504GLF□□-ND♦ NEW!	3361S-1-504GLF□□-ND♦ NEW!
1M	3361P-1-105GLF□□-ND♦ NEW!	3361S-1-105GLF□□-ND♦ NEW!
2M	3361P-1-205GLF□□-ND♦ NEW!	3361S-1-205GLF□□-ND♦ NEW!

Series	Part No.	1	10	50	Part No.	500	750
3361P/3361S-1	Add "CT"-ND	1.02	9.25	44.40	Add "TR"-ND	—	486.00
3361S/3361S-1	Add "CT"-ND	1.02	9.25	44.40	Add "TR"-ND	324.00	—

◆ RoHS Compliant † For RoHS Compliant Part Number change □□-ND to LFC□□-ND.

Digi-Reel® Most SMT cutdown parts are available on a Digi-Reel®. For Digi-Reel part number, change 1-ND to 6-ND or CT-ND to DKR-ND. See Digi-Key® Services on page 2 for additional information.

More Product Available Online: www.digikey.com